

2.4" Wide Housing

**Product Features**

Edgeline series architectural linear luminaire housing from 2.4" wide aluminum extruded profile, available in 2, 4 and 8-Ft length with Black, White finish; aircraft steel cable suspension system for direct ceiling mounting, with power supply unit integral inside fixture, and power feed cable through junction box cover plate; integral driver, frosted polycarbonate lens; emits even soft direct, direct/indirect facing light for general illumination; >90CRI LED; field selectable CCT in 2700K / 3000K / 3500K / 4000K / 5000K; 70% of luminous flux after 100,000 hours; cULus damp location listed; universal input 120-277V power supply with 0-10V dimming and a 0-100% dimming range. Tunable White and Dim-to-Warm options available.

**Technical Specifications**

INPUT VOLTAGE	Universal Input AC120-277V
FREQUENCY	50/60hz
COLOR TEMPERATURE	Field Selectable 2700K / 3000K / 3500K / 4000K / 5000K, Dim-to-Warm, Tunable White
COLOR RENDERING INDEX	>90
DISTRIBUTION	Direct/Indirect Ratio Field Selectable 100%, 70%/30%, 50%/50%, 30%/70%, 100%
IP RATING	Damp Location
LIFE SPAN	>100,000 Hours
DIMMING	0-10V Dimming with 0-100% Dimming Range



## EDGE LINE SERIES | EDGE LINE 2.4"

### SUBMITTAL WORKSHEET

Order Code Example: EGL2.4 - L2 - 9SC - BK - GD - UD - EMB-8W-B  
 A B C D E F G

#### A SERIES (CHOOSE ONE)

**EGL2.4** Edgeline Series 2.4" Profile Architectural Linear

#### B SIZE & OUTPUT (CHOOSE ONE)

CODE	LENGTH	DISTRIBUTION	DIRECT/INDIRECT RATIO	FIELD SELECTABLE	POWER & LUMEN FIELD SELECTABLE
IL2 <b>QS</b>	2FT	100%, 70%/30%, 50%/50%, 30%/70%, 100%			10W / 15W / 20W
IL4 <b>QS</b>	4FT	100%, 70%/30%, 50%/50%, 30%/70%, 100%			20W / 30W / 40W
IL8 <b>QS</b>	8FT	100%, 70%/30%, 50%/50%, 30%/70%, 100%			40W / 60W / 80W

#### C CCT (CHOOSE ONE)

**9SC** **QS** Field Selectable 2700K / 3000K / 3500K / 4000K / 5000K

#### D FINISH (CHOOSE ONE)

**BK** **QS** Black  
**WH** **QS** White

#### E DECORATIVE REFLECTOR (CHOOSE ONE)

**BK** **QS** Black  
**GD** **QS** Gold  
**RG** **QS** Rose Gold  
**SV** **QS** Silver  
**WH** **QS** White



**BK**



**GD**



**RG**



**SV**



**WH**

#### F INPUT (CHOOSE ONE)

**UD** **QS** 120-277V, 0-10V Dimming  
**DW** **QS** 120-277V, 0-10V Dim-to-Warm Dimming  
**TW** **QS** 120-277V, 0-10V Tunable White Dimming

#### G OPTIONS

**BAA** Assembled in America, Compliant with BAA (COTS)  
**LENS-EGL-40** **QS** Continuous Diffuser Rolling Lens Up to 40FT.  
**SENSOR-KIT-IFS06R** **QS** Integral PIR on/off/dimming/photosensing (14V DC Power by Driver)  
**EMB-8W-B\*** **QS** 90-Minute Self-Diagnostic Emergency Battery 8W 100-347VAC Input 170VDC Output

\*see page 7 for EMB and sensor spec

## EDGE LINE SERIES | EDGE LINE 2.4"

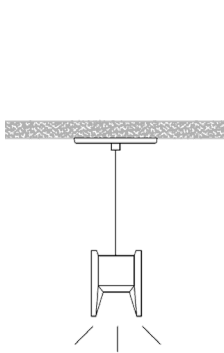
### SUBMITTAL WORKSHEET

Order Code Example: EGL-QM - EGL-L-CON  
H I

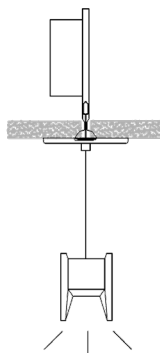
#### H MOUNTING (CHOOSE ONE)

- EGL-QM **QS** Quick Mount
- EGL-QMT **QS** Quick Mount for T-Grid Ceiling
- EGL-WM **QS** Wall Mount

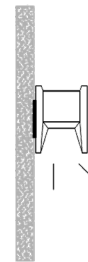
\*see page 3 for detail



**EGL-QM**  
Quick Mount



**EGL-QMT**  
Quick Mount  
for T-Grid Ceiling







**EGL-WM**  
Wall Mount

#### I CONNECTORS

- EGL2.4-CON Edgeline Profile Inline Joiner (metal bracket)
- EGL2.4-L-CON Edgeline Profile "L" 90° Connector
- EGL2.4-X-CON Edgeline Profile "X" 90° Connector
- EGL2.4-Y-CON Edgeline Profile "Y" 120° Connector

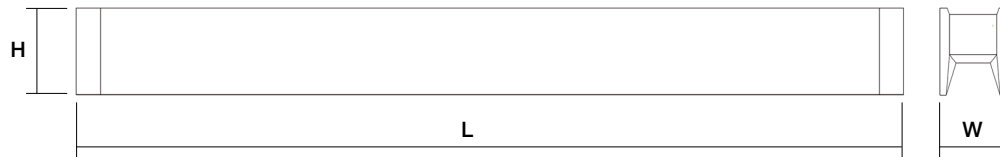
\*see page 7 for EMB and sensor spec

EGL2.4-CON EGL Profile Inline Joiner	EGL2.4-L-CON EGL Profile "L" 90° Connector	EGL2.4-X-CON EGL Profile "X" 90° Connector	EGL2.4-Y-CON EGL Profile "Y" 90° Connector
			

**EDGE LINE SERIES | EDGE LINE 2.4"**

**DIMENSIONS**

Size	L	EGL2.4		EGL4	
		W	H	W	H
2FT	26.14"	2.4"	4"	3.98"	5.22"
4FT	49.76"				
8FT	97.01"				



**OUTPUT**

**Selectable CCT**

2700K, 3000K, 3500K, 4000K, 5000K

90+ CRI 

**Selectable Wattage**



Lv1

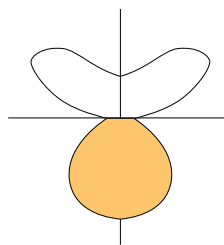


Lv2

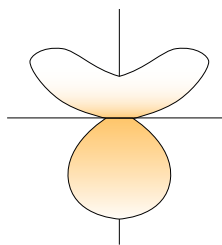


Lv3

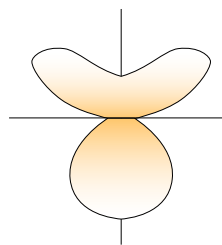
**Selectable Light Distribution**



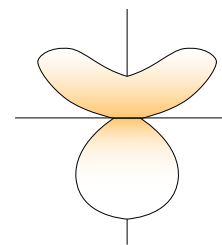
100% Direct



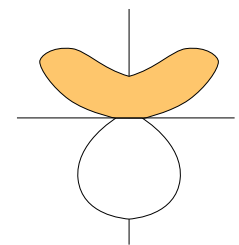
30% Indirect  
70% Direct



50% Indirect  
50% Direct



70% Indirect  
30% Direct



100% Indirect

## EDGE LINE SERIES | EDGE LINE 2.4"

### PERFORMANCE DATA

		2700K (90CRI)	3000K (90CRI)	3500K (90CRI)	4000K (90CRI)	5000K (90CRI)
EGL2.4	Lumens Per Foot	1200	1200	1250	1250	1250
	Input Wattage Per Foot	10W	10W	10W	10W	10W
	Efficacy	120 lm/W	120 lm/W	125 lm/W	125 lm/W	125 lm/W

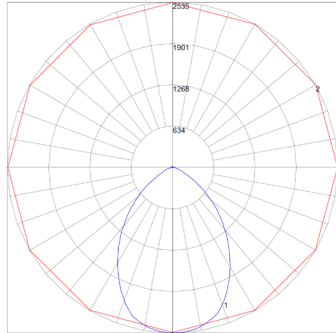
### ELECTRICAL DATA

EDGE LINE 2.4"				
NUMBER OF DRIVERS	DRIVER CURRENT (mA)	Nominal Power (W)	INPUT VOLTAGE (V)	CURRENT (AMPS)
1	430	20	120	0.17
		20	208	0.10
		20	240	0.08
		20	277	0.07
1	850	40	120	0.33
		40	208	0.19
		40	240	0.17
		40	277	0.14
1	1700	80	120	0.67
		80	208	0.38
		80	240	0.33
		80	277	0.29

## EDGE LINE SERIES | EDGE LINE 2.4"

### PHOTOMETRIC

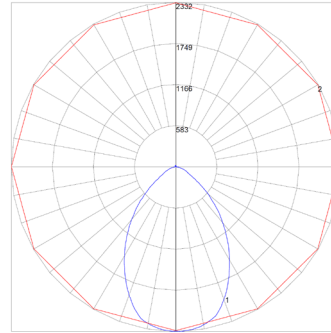
IES: EGL2.4-9SC @ 5000K 40W D-100%



Zone	Lumen	Luminaire%
0-30	1842	37.30
0-40	2843	57.50
0-60	4344	87.90
0-90	4894	99.00
0-180	4944	100

Lumen: 4944  
 Input Watts: 37.78 W  
 Efficacy: 130 LPW

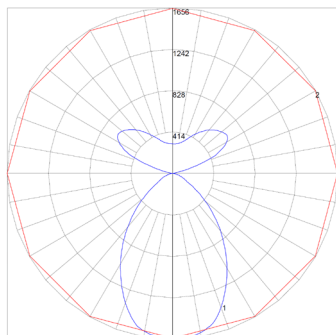
IES: EGL2.4-9SC @ 2700K 40W D-100%



Zone	Lumen	Luminaire%
0-30	1692	37.30
0-40	2609	57.60
0-60	3982	87.90
0-90	4484	52.10
0-180	4530	100

Lumen: 4530  
 Input Watts: 37.81 W  
 Efficacy: 120 LPW

IES: EGL2.4-9SC @ 3500K 40W D-70% I-30%



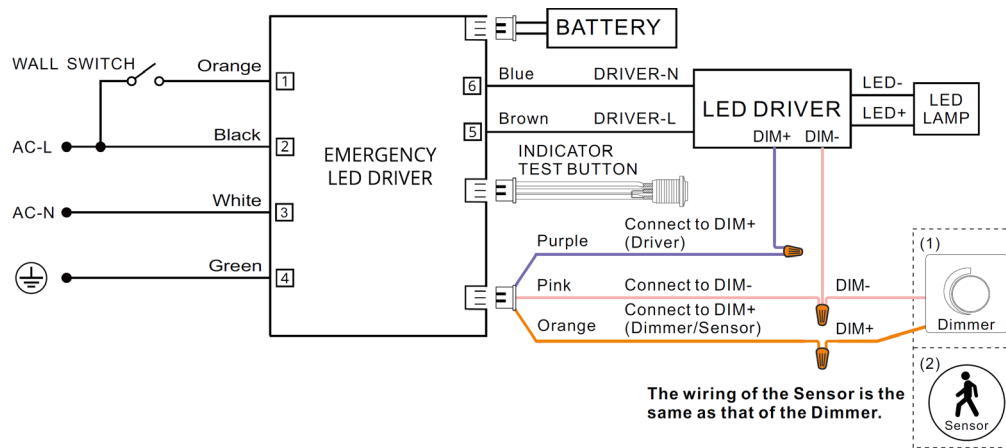
Zone	Lumen	Luminaire%
0-30	1204	24.50
0-40	1858	37.90
0-60	2841	57.90
0-90	3209	65.50
0-180	4903	100

Lumen: 4903  
 Input Watts: 38.23 W  
 Efficacy: 128 LPW

## EDGE LINE SERIES | EDGE LINE 2.4"

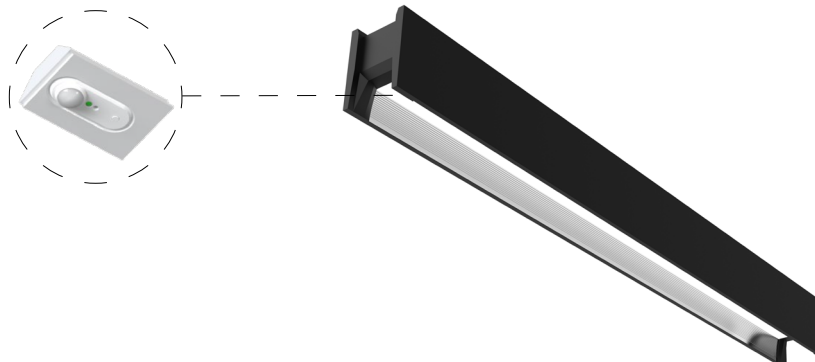
### EMB SPEC

Model	Battery Capacity	Input	Output	Output Power	Operating Temp	Installation
EMB-8W-B	90mins	100-347VAC	170VDC	8W	0°C ~ 50°C 32°F ~ 122°F	Factory or Field Install
EMB-18W-B	90mins	100-347VAC	170VDC	18W	0°C ~ 50°C 32°F ~ 122°F	Factory or Field Install



### SENSOR SPEC

Model	Type	Mounting	Coverage	Input	Function	Programmable
SENSOR-KIT-IFS06R	PIR Sensor	Integral to Fixture	-	14V DC	On/Off Daylight Harvesting Bi-Level Dimming Adj. Hold Time	-



## SENSOR-KIT-IFS06R PIR SENSOR

### FEATURE

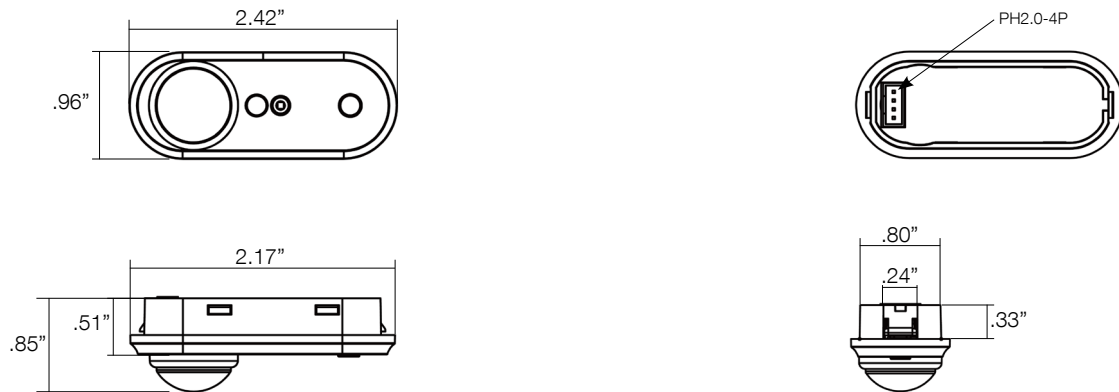
- **Installation:** Factory Install - Sensor Integral to Fixture
- **Commissioning:** through Remote Control
- **Control:** Adjustable Hold Time, Bi-Level Dimming, Manual/Auto - On/Off
- **Sensor:** Motion (Occupancy/Vacancy/Manual) and Daylight Harvesting



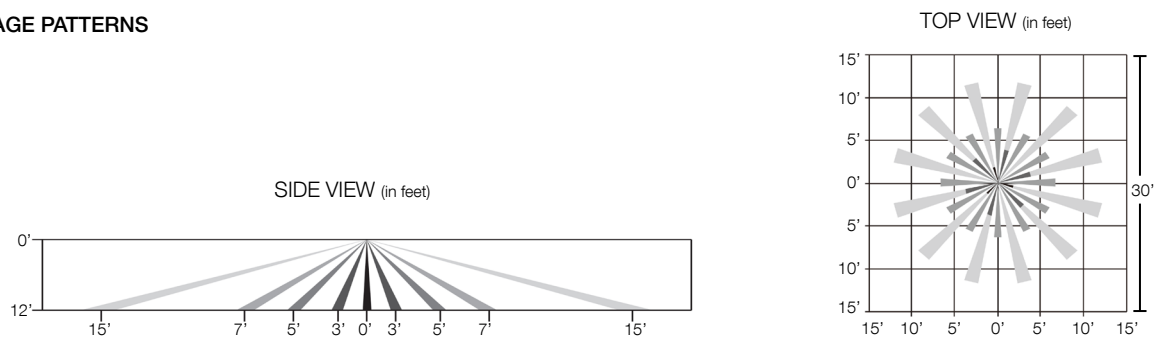
### SPECIFICATIONS

<b>SENSOR TYPE:</b>	Passive Infrared Sensor (PIR)	<b>COMMISSIONING RANGE:</b>	50FT from Remote Control
<b>INPUT VOLTAGE:</b>	10-14VDC, >50mA	<b>TIME SETTING:</b>	10sec ~ 60min (adjustable)
<b>LIGHT-CONTROL:</b>	Daylight Harvesting with Automatic Dimming	<b>DETECTION ANGLE:</b>	360°
<b>CONTROL OUTPUT:</b>	0-10V, Max. 25mA sinking current	<b>MOUNTING HEIGHT:</b>	12FT Max.
<b>OPERATING TEMP:</b>	-4°F ~ +140°F (-20°C ~ +60°C)	<b>WARRANTY:</b>	5 years
		<b>IP RATING:</b>	IP20

### DIMENSIONS



### COVERAGE PATTERNS



**ORDER CODE**

**EXAMPLE: SENSOR-IFS06R**

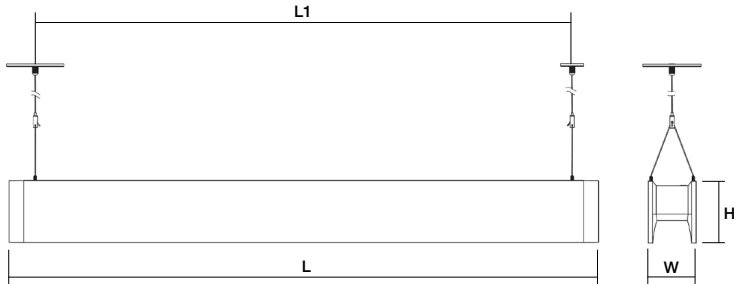
**A SERIES**

**SENSOR-KIT-IFS06R** Integral PIR on/off/dimming/photosensing (14V DC Power by Driver)

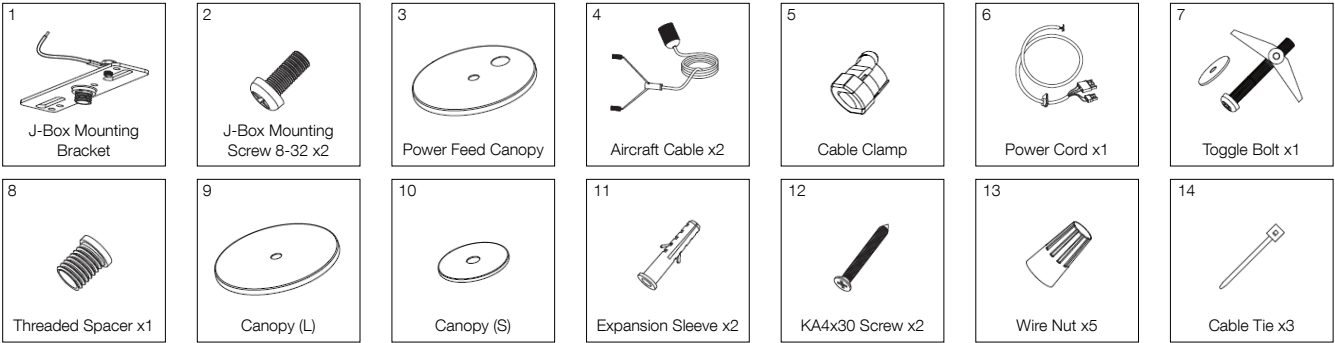
**EDGE LINE SERIES | EDGE LINE 2.4"**

**INSTALLATION**

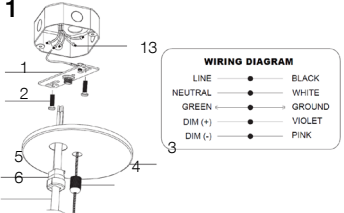
**QM - Quick Mount Installation**



EGL2.4				
Size	L	W	H	L1 - Installation Spacing
2FT	26.14"	2.4"	4"	19.68"
4FT	49.76"			43.30"
8FT	97.01"			90.55"

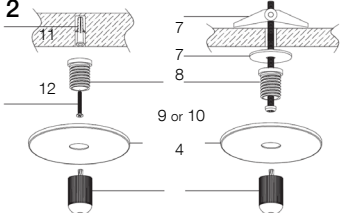


**1**



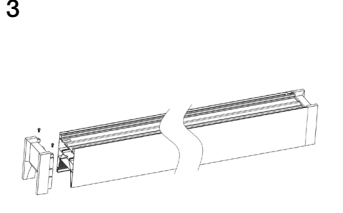
Secure the mounting bracket to the J-box with two 8-32 screws. Route the power cord through the cable clamp, make wire-nut connections per the wiring diagram, tuck wires into the J-box, then attach the canopy and tighten the aircraft cable lock nut onto the threaded spacer.

**2**



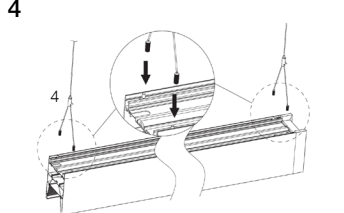
Mark the position of the canopy, secure the threaded spacer to the ceiling with a toggle bolt or expansion anchor, feed the canopy through the spacer, then tighten the lock nut of the aircraft cable onto the exposed threaded spacer.

**3**



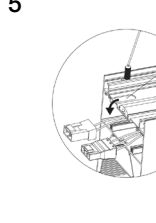
Loosen the screws and remove the endcap from the power feed side of the luminaire.

**4**



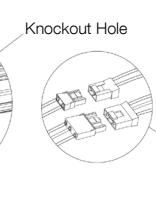
Fix the branched ends of the aircraft cables to the threaded rods at both sides of the luminaire body.

**5**



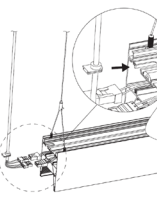
Knock out the knockout hole. Align and mate the terminals of the power cord with those of the luminaire body, and clip the SR cable clip of the power cord into the U-shaped groove.

**6**



Tuck the wires into the luminaire body and reinstall the endcap.

**7**

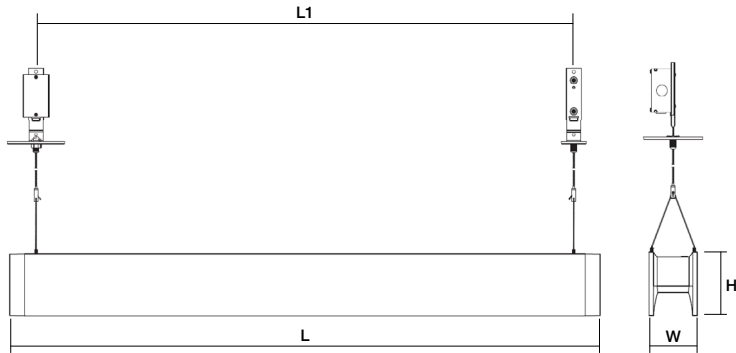


Installation Completion Diagram.

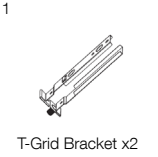
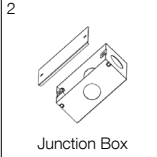
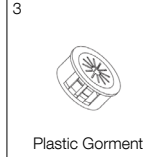
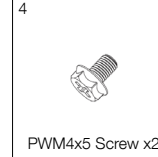
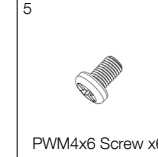
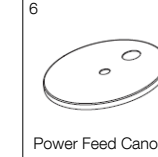
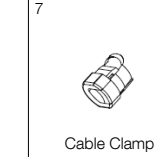
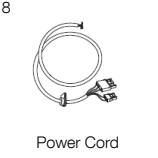
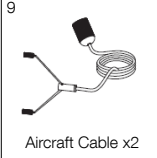
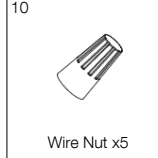
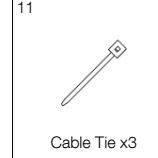
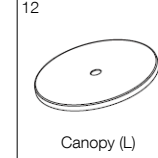
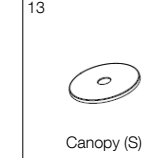
**EDGE LINE SERIES | EDGE LINE 2.4"**

**INSTALLATION**

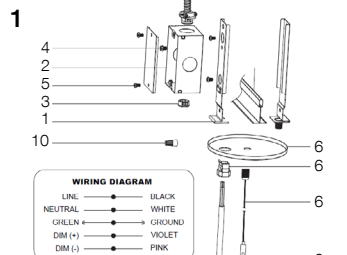
**QMT - T-Grid Quick Mount Installation**



EGL2.4				
Size	L	W	H	L1 - Installation Spacing
2FT	26.14"	2.4"	4"	19.68"
4FT	49.76"			43.30"
8FT	97.01"			90.55"

- 1  
  
T-Grid Bracket x2
- 2  
  
Junction Box
- 3  
  
Plastic Grommet
- 4  
  
PWM4x5 Screw x2
- 5  
  
PWM4x6 Screw x6
- 6  
  
Power Feed Canopy
- 7  
  
Cable Clamp
- 8  
  
Power Cord
- 9  
  
Aircraft Cable x2
- 10  
  
Wire Nut x5
- 11  
  
Cable Tie x3
- 12  
  
Canopy (L)
- 13  
  
Canopy (S)

**1**

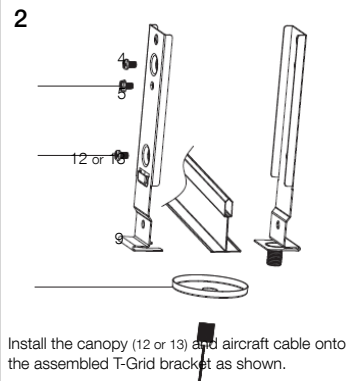


**WIRING DIAGRAM**

- LINE — BLACK
- NEUTRAL — WHITE
- GROUND — GROUND
- DIM (+) — VIOLET
- DIM (-) — PINK

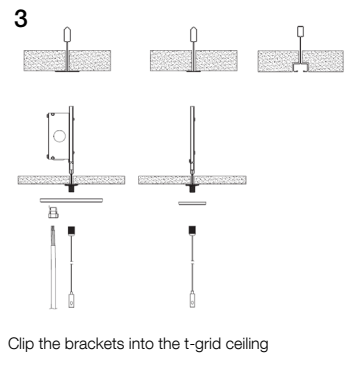
Assemble the T-Grid bracket with two PM4x6 screws. Install the grommet, secure the J-Box to the bracket, route the power cord through the clamp and power feed canopy, and make wire-nut connections inside the J-Box. Attach the canopy and tighten the aircraft cable lock nut, then secure the J-Box cover.

**2**



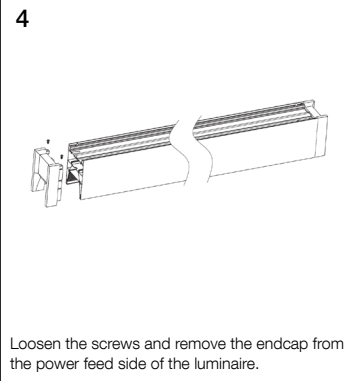
Install the canopy (12 or 13) and aircraft cable onto the assembled T-Grid bracket as shown.

**3**



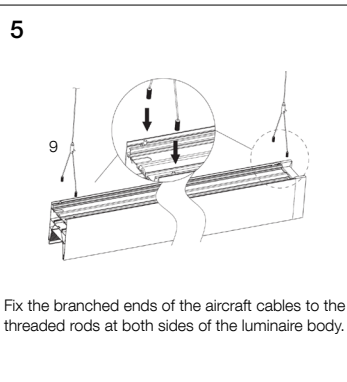
Clip the brackets into the t-grid ceiling

**4**



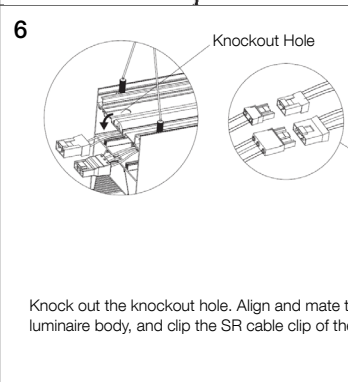
Loosen the screws and remove the endcap from the power feed side of the luminaire.

**5**



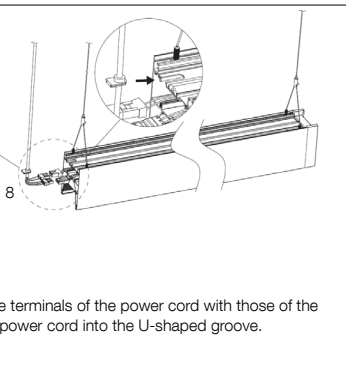
Fix the branched ends of the aircraft cables to the threaded rods at both sides of the luminaire body.

**6**



Knock out the knockout hole. Align and mate the terminals of the power cord with those of the luminaire body, and clip the SR cable clip of the power cord into the U-shaped groove.

**7**

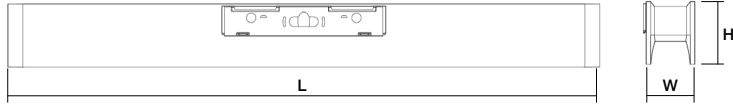


Tuck the wires into the luminaire body and reinstall the endcap to complete installation.

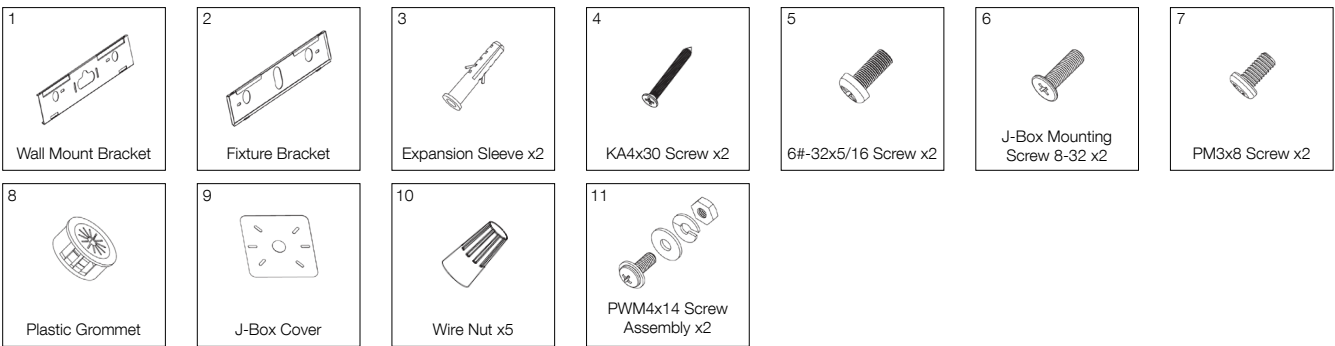
**EDGE LINE SERIES | EDGE LINE 2.4"**

**INSTALLATION**

**WM - Wall Mount Installation**



EGL2.4			
Size	L	W	H
2FT	26.14"	2.4"	4"
4FT	49.76"		
8FT	97.01"		



<p><b>1</b></p> <p>Machine the holes on the luminaire body in accordance with their dimensions and the details specified in the drawing.</p>	<p><b>2</b></p> <p><b>Method A:</b> Drill holes, insert the expansion sleeves, feed the wires through the central hole of the wall-mounting bracket, and secure the bracket with KA4x30 screws. <b>Method B:</b> Feed the wires through the central hole of the wall-mounting bracket and secure the bracket with 6#-32x5/16 screws.</p>
<p><b>3</b></p> <p>Remove the endcaps from both ends of the luminaire, as well as the top cover.</p>	<p><b>4</b></p> <p>Secure the fixture bracket to the mounting holes on the luminaire body with PWM4x14 screw assemblies. Insert the plastic grommet into the wire-passing hole.</p>
<p><b>5</b></p> <p>Cut the wires inside the luminaire body, then feed them through the plastic grommet.</p>	<p><b>6</b></p> <p>Reinstall the endcaps and top cover.</p>
<p><b>7</b></p> <p><b>WIRING DIAGRAM</b></p> <ul style="list-style-type: none"> <li>LINE ● BLACK</li> <li>NEUTRAL ● WHITE</li> <li>GREEN ● GROUND</li> <li>DIM (+) ● VIOLET</li> <li>DIM (-) ● PINK</li> </ul> <p>Connect the wires of the luminaire to the mains supply with the wire nuts.</p>	<p><b>8</b></p> <p>Hang the luminaire (with its fixture bracket pre-attached) onto the wall-mounting bracket. Secure the two brackets with the PM3x8 screws to complete installation.</p>