

**LUX SERIES | LX1.3 SURFACE / SUSPENDED / WALL**



**Product Features**

LUX Series LX1.3 architectural linear luminaire housing from 1.3" wide aluminum extruded profile, available in 2, 4, and 8-Ft length with Black, White finish; steel cable suspension system for direct ceiling mounting, with power supply unit integral inside fixture, and power feed cable through the 5-inch junction box cover plate; integral driver, frosted polycarbonate lens; emits even soft direct/indirect facing light for general illumination; >80CRI LED; field selectable CCT in 3000K / 3500K / 4000K; 85% of luminous flux after 50,000 hours; cULus damp location listed; universal input 120-277V power supply with 0-10V dimming capability down to 10%.

**Technical Specifications**

INPUT VOLTAGE	Universal Input AC120-277V
FREQUENCY	50/60hz
COLOR TEMPERATURE	Field Selectable 3000K / 3500K / 4000K
COLOR RENDERING INDEX	>80
DISTRIBUTION	Direct/Indirect, Field Selectable Output
IP RATING	Damp Location
LIFE SPAN	>50,000 Hours
DIMMING	0-10V Dimming



## LUX SERIES | LX1.3 SURFACE / SUSPENDED / WALL

### SUBMITTAL WORKSHEET

Order Code Example: **LX1.3 - IL2 - SC - QM - WH - WH**  
 A B C D E F

**LX1.3-CON - EMB-H08170**

G G

#### A SERIES (CHOOSE ONE)

**LX1.3** LUX Series 1.3" Profile Architectural Linear

#### B SIZE & OUTPUT (CHOOSE ONE)

CODE	LENGTH	DISTRIBUTION	RATIO FIELD SELECTABLE	POWER & LUMEN FIELD SELECTABLE
<b>IL2</b> <b>QS</b>	2FT	Direct (D) / Indirect (I)	D-75% & I-25%, D-100%	10W / 15W / 20W
<b>IL4</b> <b>QS</b>	4FT	Direct (D) / Indirect (I)	D-75% & I-25%, D-100%	20W / 30W / 40W
<b>IL8</b> <b>QS</b>	8FT	Direct (D) / Indirect (I)	D-75% & I-25%, D-100%	40W / 60W / 80W

\*see page 3 for Lumen Detail

#### C CCT (CHOOSE ONE)

**SC** **QS** Field Selectable 3000K / 3500K / 4000K

#### D MOUNTING (CHOOSE ONE)

**QM** **QS** 4FT Suspension, 4FT Power Cord, 4.5-inch Round J-Box Plate & 1.6-inch Mounting Plate  
**QM12** 12FT Suspension, 12FT Power Cord, 4.5-inch Round J-Box Plate & 1.6-inch Mounting Plate  
**SM** **QS** Surface Mount Kit (SUITABLE FOR DIRECT DISTRIBUTION ONLY)  
**WM** Wall Mount

#### E FINISH (CHOOSE ONE)

**BK** **QS** Black  
**WH** **QS** White

#### F POWER CORD (CHOOSE ONE)

**BK** **QS** 4FT Black Power Cord  
**WH** **QS** 4FT White Power Cord

#### G OPTIONS

**blank** Integral Driver 120~277V 0-10V Dimming  
**BAA** Assembled in America, Compliant with BAA (COTS)  
**LX1.3-CON** **QS** LUX 1.3" Profile Line Joiner (Metal Bracket)  
**LX1.3-CON-N-L** **QS** LUX 1.3" Profile "L" 90DEG NonLit Corner  
**LX1.3-CON-N-T** **QS** LUX 1.3" Profile "T" 90DEG NonLit Corner  
**LX1.3-CON-N-X** **QS** LUX 1.3" Profile "X" 90DEG NonLit Corner  
**T-BAR\*\*** 4" Octagon Box Included, Adjustable T-Bar Clip Suitable for 9/16" Flat, 9/16" Slot, 15/16" Flat T-Bar Grid Spec  
**LENS-LX1.3-42FT** **QS** LUX 1.3" 42FT Continuous Rolling Lens  
**EMB-H08170\*** **QS** External 90-Minute Self-Diagnostic Emergency Battery 8W 100-347VAC Input 170VDC Output  
**EMB-H18170\*** **QS** External 90-Minute Self-Diagnostic Emergency Battery 18W 100-347VAC Input 170VDC Output

\*see page 6 for EMB spec

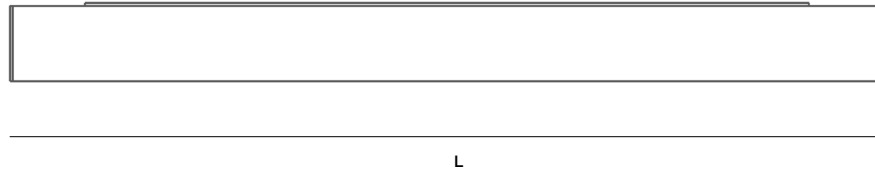
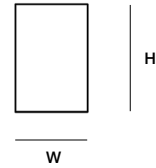
\*\*see page 7 for detail

## LUX SERIES | LX1.3 SURFACE / SUSPENDED / WALL

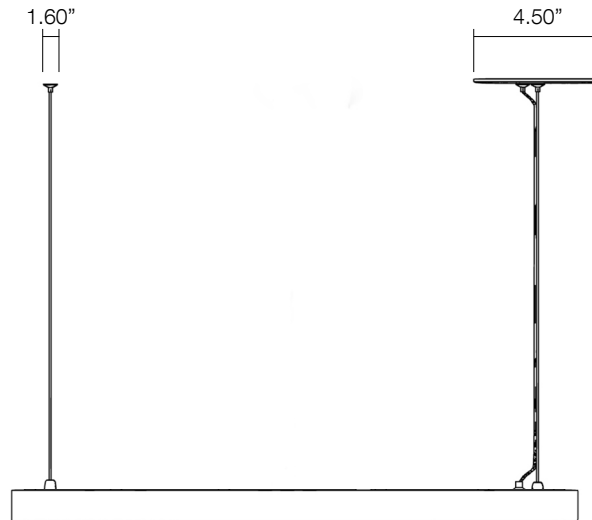
### DIMENSIONS

#### Cross Section

SERIES & SIZE	DIMENSION	Section
LX1.3-IL2	L25.28" x W1.30" x H2.24"	1
LX1.3-IL4	L50.40" x W1.30" x H2.24"	1
LX1.3-IL8	L100.63" x W1.30" x H2.24"	1



#### Quick Mount

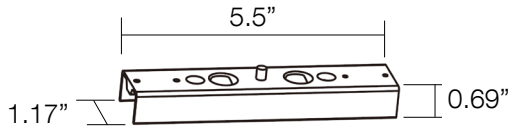


### PERFORMANCE

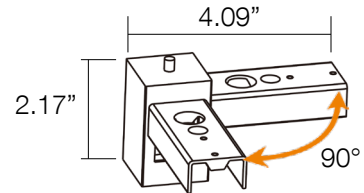
Lens Type	Length	Power Setting (Field Selectable)			Distribution Setting (Field Selectable)					
		(W)			D-75% & I-25% (LM)			D-100% (LM)		
		Low	Mid	High	Low	Mid	High	Low	Mid	High
Frosted	2FT	10	15	20	981	1472	1962	905	1358	1810
	4FT	20	30	40	1993	2990	3986	1886	2829	3771
	8FT	40	60	80	3986	5979	7732	3771	5657	7542

**LUX SERIES | LX1.3 SURFACE / SUSPENDED / WALL**

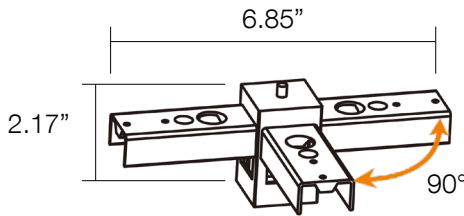
**DIMENSIONS**



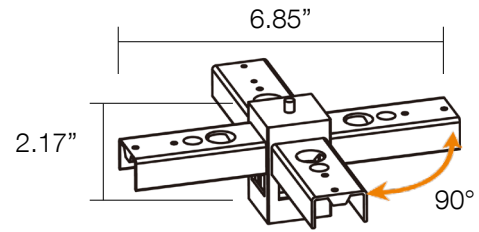
**LX1.3-CON**  
LUX 1.3" Profile Line Joiner (metal bracket)



**LX1.3-CON-N-L**  
LUX 1.3" Profile "L" 90DEG NonLit Corner



**LX1.3-CON-N-T**  
LUX 1.3" Profile "T" 90DEG NonLit Corner

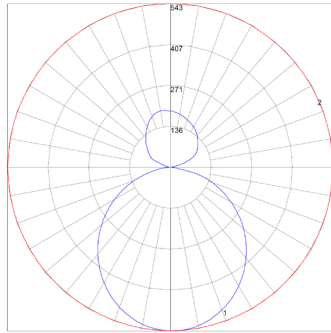


**LX1.8-CON-N-X**  
LUX 1.3" Profile "X" 90DEG NonLit Corner

## LUX SERIES | LX1.3 SURFACE / SUSPENDED / WALL

### PHOTOMETRIC

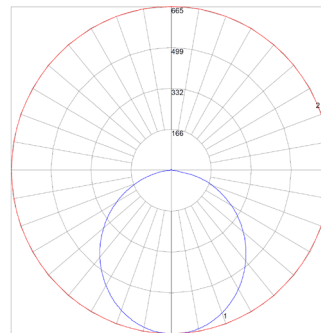
IES: LX1.3-IL2SC D-75% / I-25% @ 4000K 20W



Zone	Lumen	Luminaire%
0-30	414	21.10
0-40	673	34.30
0-60	1176	59.90
0-90	1473	75.10
0-180	1962	100

Lumen: 1962  
 Input Watts: 19.8 W  
 Efficacy: 99 LPW  
 UGR: 28.2

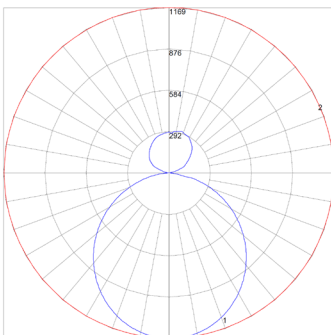
IES: LX1.3-IL2SC D-100% @ 4000K 20W



Zone	Lumen	Luminaire%
0-30	240	28
0-40	823	45.60
0-60	1440	79.60
0-90	1803	99.60
0-180	1810	100

Lumen: 1810  
 Input Watts: 19.7 W  
 Efficacy: 92 LPW  
 UGR: 30.2

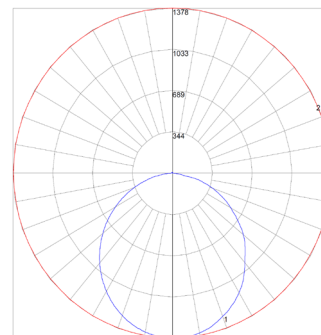
IES: LX1.3-IL4SC D-75% / I-25% @ 4000K 40W



Zone	Lumen	Luminaire%
0-30	896	22.50
0-40	1463	36.70
0-60	2540	63.70
0-90	3189	80
0-180	3986	100

Lumen: 3986  
 Input Watts: 41.8 W  
 Efficacy: 95 LPW  
 UGR: 28.9

IES: LX1.3-IL4SC D-100% @ 4000K 40W



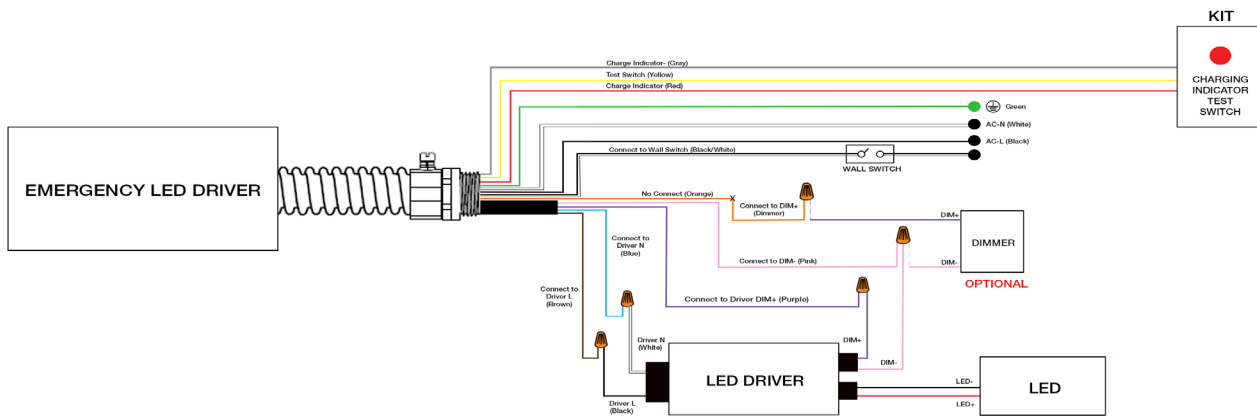
Zone	Lumen	Luminaire%
0-30	1054	27.90
0-40	1719	45.60
0-60	2987	79.20
0-90	3751	99.50
0-180	3771	100

Lumen: 3771  
 Input Watts: 42.2 W  
 Efficacy: 89 LPW  
 UGR: 30.5

**LUX SERIES | LX1.3 SURFACE / SUSPENDED / WALL**

**EMB SPEC**

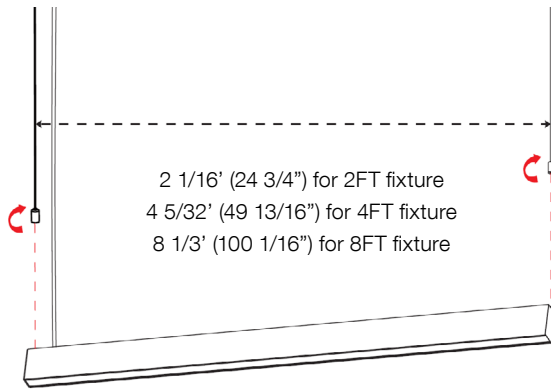
Model	Battery Capacity	Input	Output	Output Power	Operating Temp	Installation
EMB-H08170	90mins	100-347VAC	170VDC	8W	0°C ~ 50°C 32°F ~ 122°F	Field Install
EMB-H18170	90mins	100-347VAC	170VDC	18W	0°C ~ 50°C 32°F ~ 122°F	Field Install



**LUX SERIES | LX1.3 SURFACE / SUSPENDED / WALL**

**INSTALLATION**

**QUICK MOUNT**  
**PART# QM / QM12**

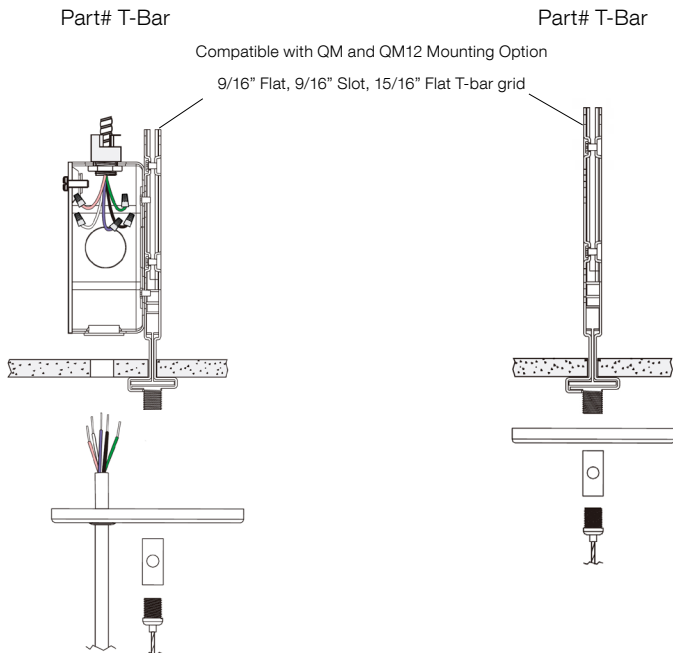


1: Install suspension by rotating adapter clockwise to the top of the fixture.



2: Use cable tie to keep the power feed wire in place next to the suspension cable.

**T-GRID INSTALL**  
**PART# QM-T-BAR / QM12-T-BAR**

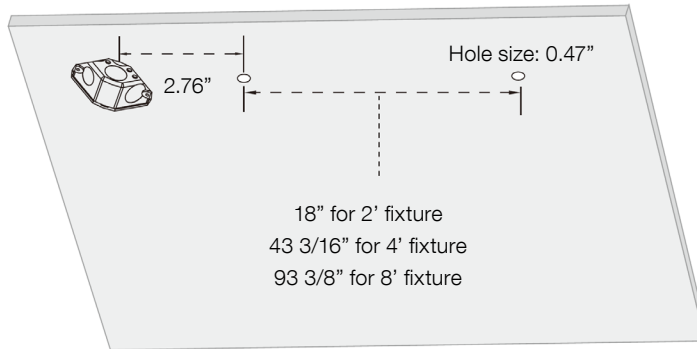


Adjustable T-Bar Clip with 4" Octagon Box Attachment for (1) Suspension Point

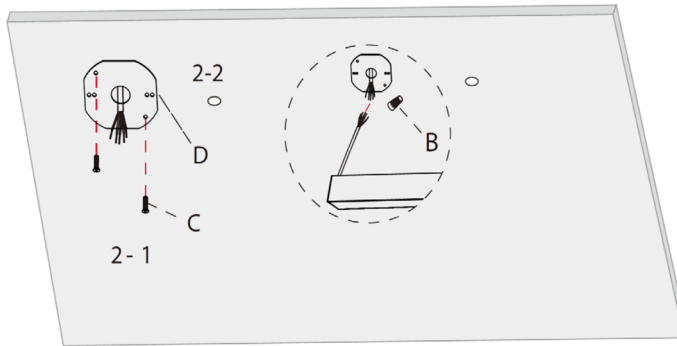
Adjustable T-Bar Clip for 1.6-inch Mounting Plate Attachment for (1) Suspension Point

**INSTALLATION**

**SURFACE MOUNT**

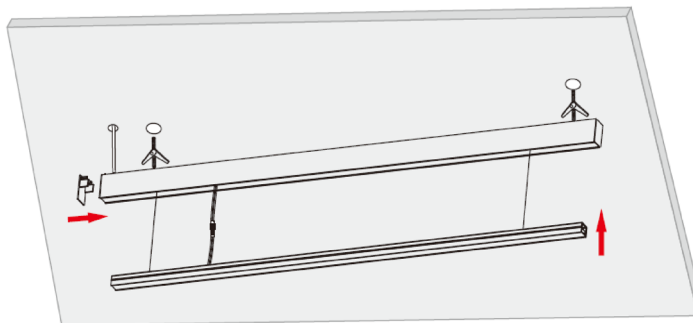


1: Identify mounting location



2-1: Use the Square Plate "D" to cover the junction box and secure with screw "C", before plastering the ceiling.

2-2: Make the wiring connection using the wire nuts provided between the luminaire and the incoming power line.



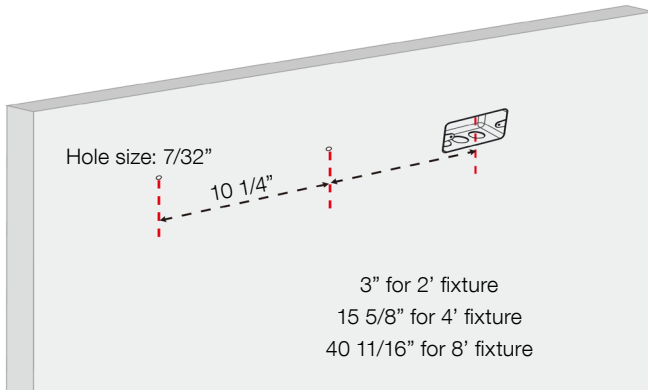
3.1: Install Butterfly Drywall Anchor "A" on housing.

3.2: Insert LED module back into housing to make wiring connection.

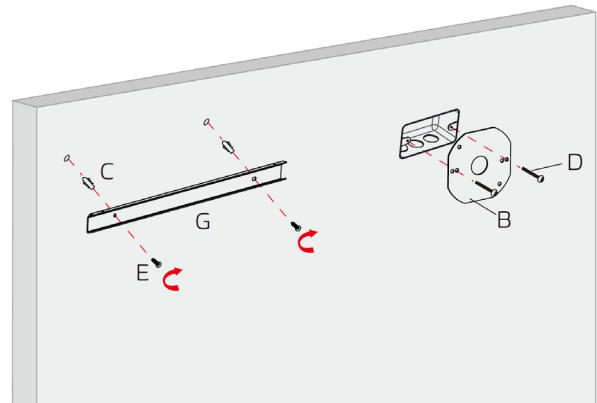


**INSTALLATION**

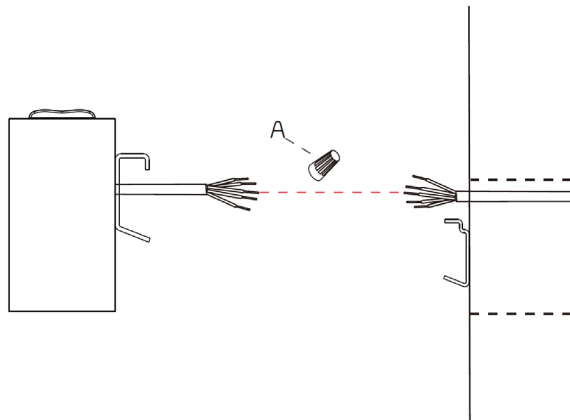
**WALL MOUNT**



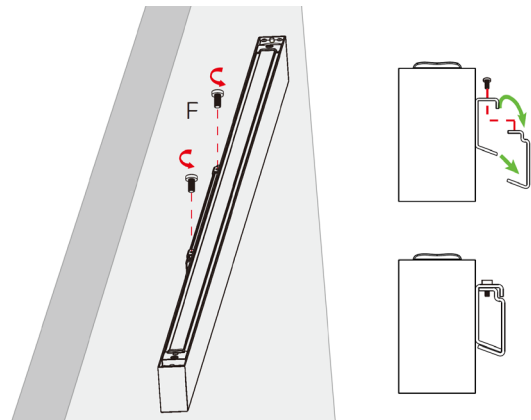
1: Identify mounting location



- 2-1: Insert Anchor "C" into both holes and secure the mounting bracket "G" with screw "E".
- 2-2: Use the square cover plate "B" to cover the junction box and secure with screw "D", before plastering the wall.



- 3-1: Make the wiring connection using the wire nuts provided between the luminaire and the incoming power line.
- 3-2: Tuck the wires into junction box.



4: Latch the luminaire to the mounting bracket, and secure it with screws provided.