



Product Features

LUX Series LX3.8 architectural linear luminaire housing from 3.8" wide aluminum extruded profile, available in 2, 3, 4 and 8-Ft length with White, Black finish; integral driver, frosted polycarbonate lens; emits even soft direct facing light for general illumination; >80CRI LED; field selectable CCT in 3000K / 3500K / 4000K; 85% of luminous flux after 50,000 hours; cULus damp location listed; universal input 120-277V power supply with 0-10V dimming capability down to 10%.

Technical Specifications

| | |
|-----------------------|--|
| INPUT VOLTAGE | Universal Input AC120-277V |
| FREQUENCY | 50/60hz |
| COLOR TEMPERATURE | Field Selectable 3000K / 3500K / 4000K |
| COLOR RENDERING INDEX | >80 |
| DISTRIBUTION | Direct, Field Selectable Output |
| IP RATING | Damp Location |
| LIFE SPAN | >50,000 Hours |
| DIMMING | 0-10V Dimming |



LUX SERIES | LX3.8 SURFACE / RECESSED

SUBMITTAL WORKSHEET

Order Code Example: **LX3.8 - L2 - SC - blank - WH - LX3.8-CON - EMB-18W-B**

A B C D E F F

A SERIES (CHOOSE ONE)

LX3.8 LUX Series 3.8" Profile Architectural Linear

B SIZE & OUTPUT (CHOOSE ONE)

| CODE | | DISTRIBUTION | POWER & LUMEN FIELD SELECTABLE |
|-----------|-----------|--------------|--------------------------------|
| L2 | QS | Direct | 10W / 15W / 20W |
| L3 | QS | Direct | 15W / 23W / 30W |
| L4 | QS | Direct | 20W / 30W / 40W |
| L8 | QS | Direct | 40W / 60W / 80W |

C CCT (CHOOSE ONE)

SC **QS** Field Selectable 3000K / 3500K / 4000K

D MOUNTING

blank **QS** Surface Mount (no additional mounting hardware required)
 For Recessed Mount, please pick a mounting kit under **OPTIONS** below.

E FINISH (CHOOSE ONE)

BK **QS** Black
WH **QS** White

F OPTIONS

| | | |
|----------------------------|-----------|---|
| blank | | Integral driver 120~277V 0-10V Dimming |
| BAA | | Assembled in America, compliant with BAA (COTS) |
| LX3.8-CON | QS | LUX 3.8" Profile Line Joiner (metal bracket) |
| LX3.8-CON-L | QS | LUX 3.8" Profile "L" 90DEG Illuminated Corner |
| LX3.8-REC-DWTRIM | QS | LUX 3.8" Profile Recessed Mount Trim Kit for Drywall Ceiling (use 1 set per fixture) |
| LX3.8-REC-DWBRACKET | QS | LUX 3.8" Profile Recessed Mount Bracket Kit for Drywall Ceiling (use 1 set per fixture) |
| LX3.8-REC-916F** | QS | LUX 3.8" Profile Recessed Mount T-Grid Clip for 9/16" Flat (use 1 set per fixture) |
| LX3.8-REC-1516F** | QS | LUX 3.8" Profile Recessed Mount T-Grid Clip for 15/16" Flat (use 1 set per fixture) |
| LX3.8-REC-916S** | QS | LUX 3.8" Profile Recessed Mount T-Grid Clip for 9/16" Slot (use 1 set per fixture) |
| T-BAR** | QS | 4" Octagon Box Included, Adjustable T-Bar Clip Suitable for 9/16" Flat, 9/16" Slot, 15/16" Flat T-Bar Grid Spec |
| LENS-LX3.8-42FT | QS | LUX 3.8" 42FT Continuous Rolling Lens |
| EMB-18W-B* | QS | Integral 90-Minute Self-Diagnostic Emergency Battery 18W 100-347VAC Input 170VDC Output (For 4FT and 8FT models only) |

*see page 5 for EMB spec

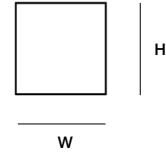
**see page 6 for detail

LUX SERIES | LX3.8 SURFACE / RECESSED

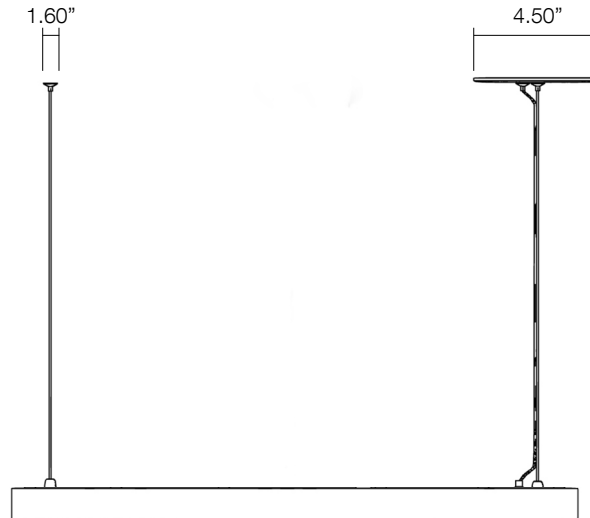
DIMENSIONS

Cross Section

| SERIES & SIZE | DIMENSION | Section |
|---------------|---------------------------|---------|
| LX3.8-L2 | L23.70" x W3.74" x H3.74" | 1 |
| LX3.8-L3 | L35.71" x W3.74" x H3.74" | 1 |
| LX3.8-L4 | L47.72" x W3.74" x H3.74" | 1 |
| LX3.8-L8 | L95.24" x W3.74" x H3.74" | 1 |



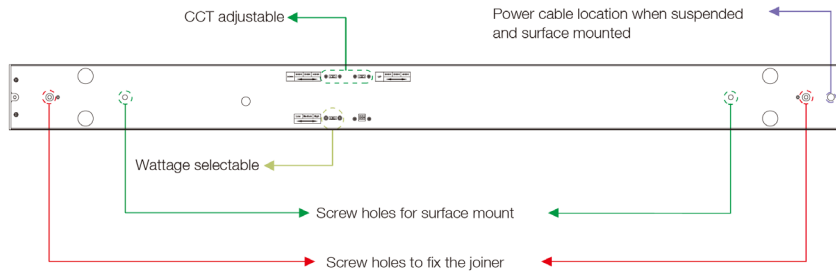
Quick Mount



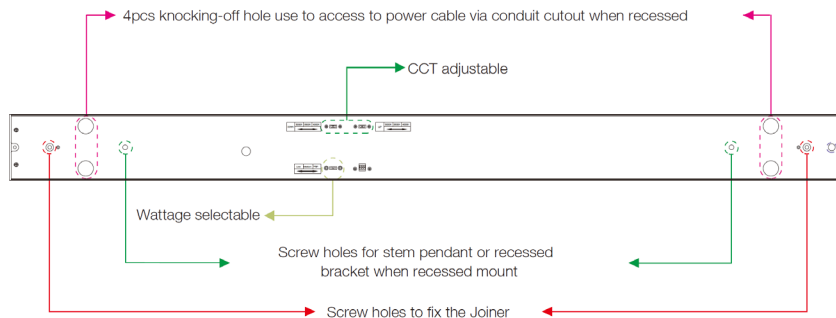
LUX SERIES | LX3.8 SURFACE / RECESSED

Dimensions

LX3.8 Surface Mount Profile



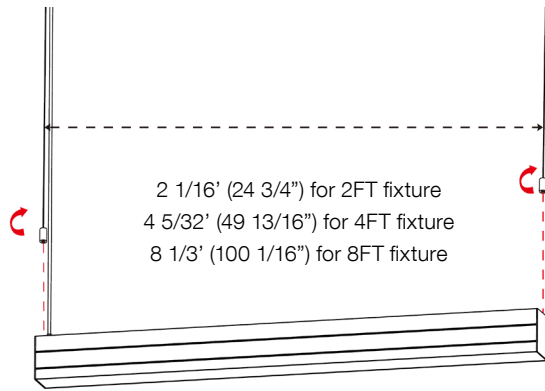
LX3.8 Recessed Profile



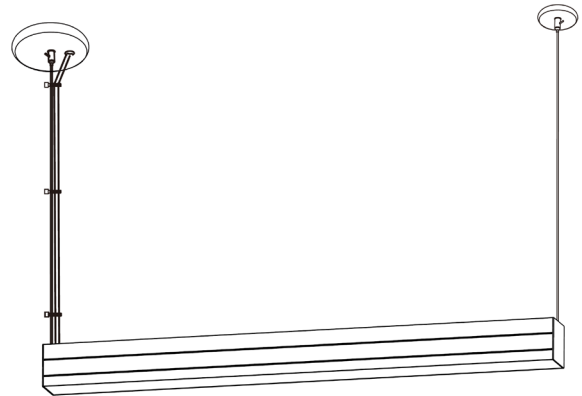
LUX SERIES | LX3.8 SURFACE / RECESSED

INSTALLATION

QUICK MOUNT
PART# QM / QM12

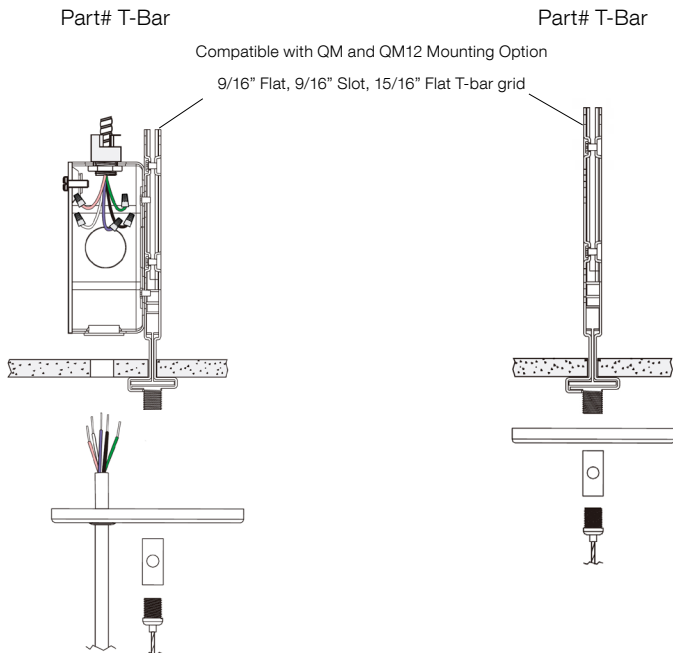


1: Install suspension by rotating adapter clockwise to the top of the fixture.



2: Use cable tie to keep the power feed wire in place next to the suspension cable.

T-GRID INSTALL
PART# QM-T-BAR / QM12-T-BAR

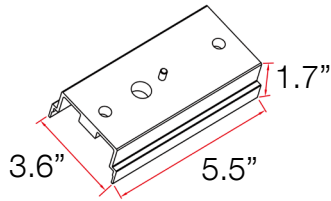


Adjustable T-Bar Clip with 4" Octagon Box Attachment for (1) Suspension Point

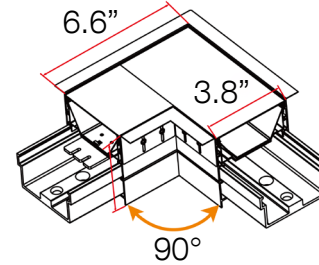
Adjustable T-Bar Clip for 1.6-inch Mounting Plate Attachment for (1) Suspension Point

LUX SERIES | LX3.8 SURFACE / RECESSED

CONNECTOR DIMENSIONS



LX3.8-CON
LUX 3.8" Profile Line Joiner (metal bracket)

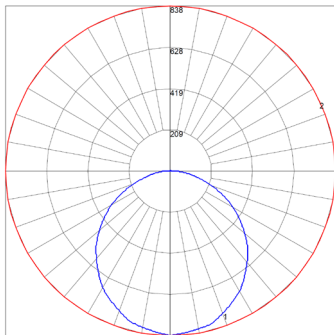


LX3.8-CON-L
LUX 3.8" Profile "L" 90DEG Illuminated Corner

PHOTOMETRIC

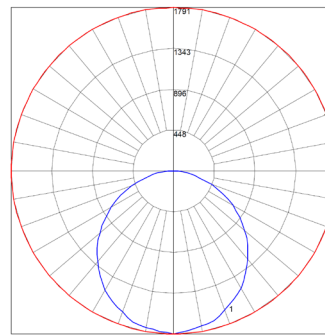
IES: LX3.8-L2SC @ 4000K 20.8W

IES: LX3.8-L4SC @ 4000K 43W



| Zone | Lumen | Luminaire% |
|-------|-------|------------|
| 0-30 | 640 | 27.70 |
| 0-40 | 1044 | 45.30 |
| 0-60 | 1832 | 79.40 |
| 0-90 | 2307 | 100 |
| 0-180 | 2307 | 100 |

Lumen: 2307
Input Watts: 20.8 W
Efficacy: 111 LPW
UGR: 23.8



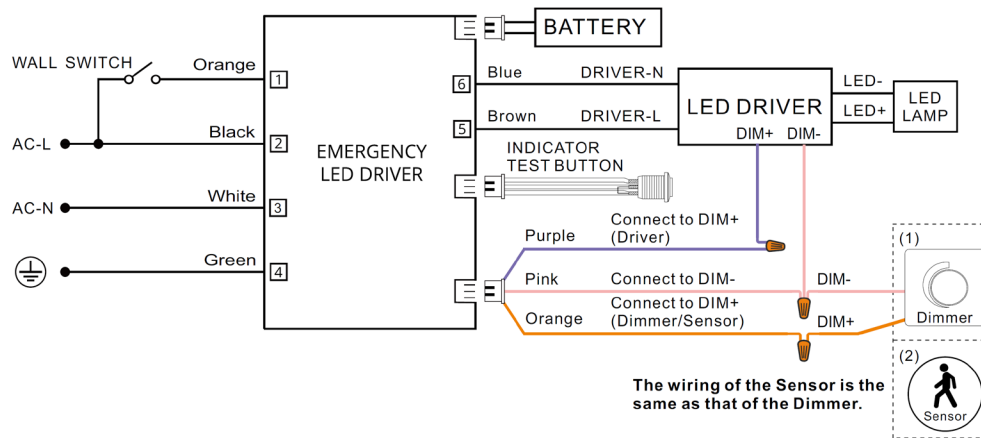
| Zone | Lumen | Luminaire% |
|-------|-------|------------|
| 0-30 | 1372 | 28.00 |
| 0-40 | 2240 | 45.70 |
| 0-60 | 3912 | 79.80 |
| 0-90 | 4901 | 100 |
| 0-180 | 4901 | 100 |

Lumen: 4901
Input Watts: 43 W
Efficacy: 114 LPW
UGR: 23.4

LUX SERIES | LX3.8 SURFACE / RECESSED

EMB SPEC

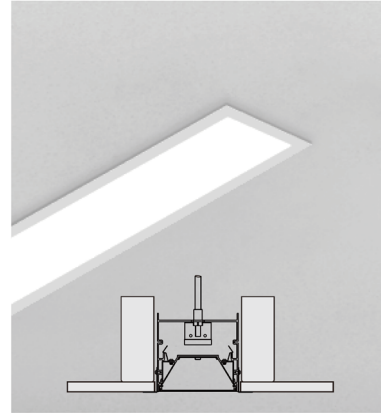
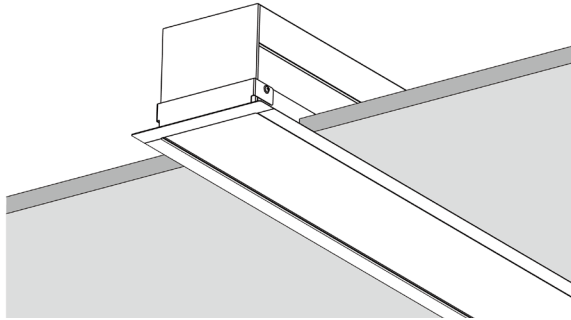
| Model | Battery Capacity | Input | Output | Output Power | Operating Temp | Installation |
|-----------|------------------|------------|--------|--------------|----------------------------|--------------------------------|
| EMB-18W-B | 90mins | 100-347VAC | 170VDC | 18W | 0°C ~ 50°C 32°F ~ 122°F | Factory or Field Install |



LUX SERIES | LX3.8 SURFACE / RECESSED

INSTALLATION

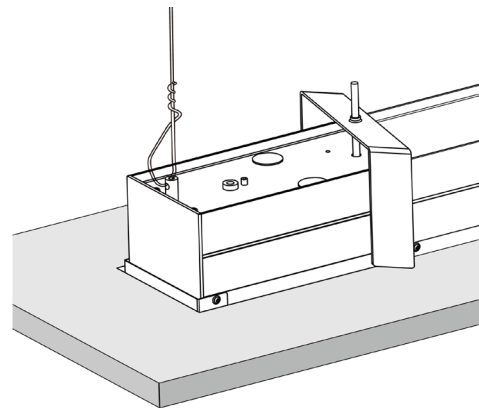
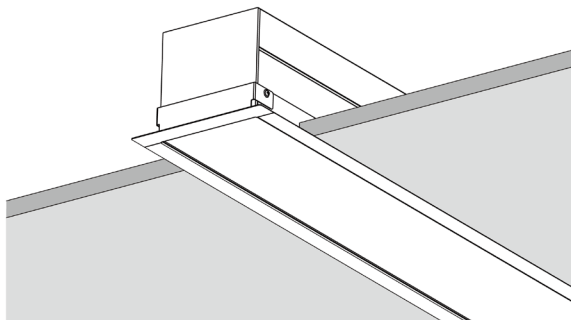
RECESSED MOUNT - SECURE BY STEM (STEM BY OTHERS)



Mounting Kit - **LX3.8-REC-DWTRIM** (use 1 set per fixture)



RECESSED MOUNT - SECURE BY BRACKET



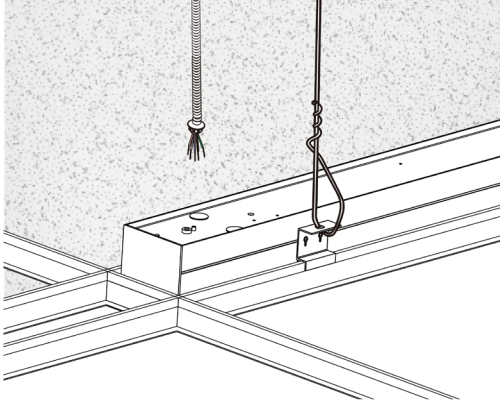
Mounting Kit - **LX3.8-REC-DWBRACKET** (use 1 set per fixture)



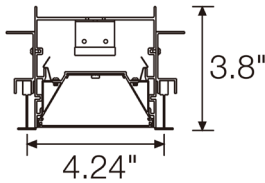
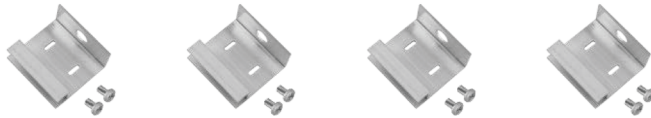
LUX SERIES | LX3.8 SURFACE / RECESSED

INSTALLATION

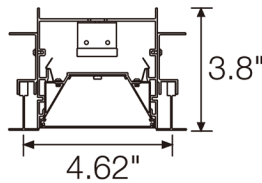
RECESSED MOUNT - SECURE ON T-GRID SYSTEM



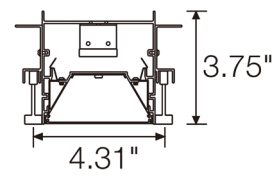
Mounting Kit - **LX3.8-REC-916F** / **LX3.8-REC-1516F** / **LX3.8-REC-916S** (use 1 set per fixture)



LX3.8-REC-916F
9/16" Flat Grid



LX3.8-REC-1516F
15/16" Flat Grid



LX3.8-REC-916S
9/16" Slot Grid