



Product Features

Lumina architectural linear fixture delivers premium performance and effortless control, featuring a diffuser lens that provides uniform, glare-free illumination. Housing from a 2.5” wide aluminum extruded profile, available in a 2, 4, and 8-FT length with black and white finish options; integral driver, die-cast aluminum endcaps with magnetic interface; optional continuous rolling lens up to 40FT; field selectable distribution options; >80CRI standard, optional >90CRI LED; field selectable CCT in 2700K / 3000K / 3500K / 4000K / 5000K; LED lifespan greater than 100,000 hours; cULus damp location listed; universal input 120-277V dimming power supply for 0-10V dimming protocol.

Technical Specifications

INPUT VOLTAGE	Universal Input 120-277 VAC
FREQUENCY	50/60hz
COLOR TEMPERATURE	Field Selectable 2700K / 3000K / 3500K / 4000K / 5000K
COLOR RENDERING INDEX	>80, >90
DISTRIBUTION	Direct/Indirect, Field Selectable Output
IP RATING	Damp Location
LIFE SPAN	>100,000 Hours
DIMMING	0-10V Dimming, 0-100% Dimming Range



LUMINA SERIES

SUBMITTAL WORKSHEET

Order Code Example: LMA - L2 - 9SC - DF - BK - UD
 A B C D E F

A SERIES

LMA Lumina Architectural Linear

B SIZE & OUTPUT (CHOOSE ONE)

CODE	LENGTH	POWER & LUMEN FIELD SELECTABLE*	DISTRIBUTION RATIO - FIELD SELECTABLE**
L2 QS	2FT	10W / 15W / 20W	Direct 100%
L4 QS	4FT	20W / 30W / 40W	Direct 100%
L8 QS	8FT	40W / 60W / 80W	Direct 100%
CODE	LENGTH	POWER & LUMEN FIELD SELECTABLE*	DISTRIBUTION RATIO - FIELD SELECTABLE**
IL2 QS	2FT	10W / 15W / 20W	100%, 70%/30%, 50%/50%, 30%/70%, 100%
IL4 QS	4FT	20W / 30W / 40W	100%, 70%/30%, 50%/50%, 30%/70%, 100%
IL8 QS	8FT	40W / 60W / 80W	100%, 70%/30%, 50%/50%, 30%/70%, 100%

*see page 7 for lumen detail

**Direct/Indirect Ratio. See page 7 for detail

C CCT

8SC **QS** 80 CRI Field Selectable 2700K / 3000K / 3500K / 4000K / 5000K (standard)
 9SC 90 CRI Field Selectable 2700K / 3000K / 3500K / 4000K / 5000K

D LENS (CHOOSE ONE)

DF Diffuser

E FINISH (CHOOSE ONE)

BK **QS** Black
 WH **QS** White

F INPUT (CHOOSE ONE)

UD **QS** 120-277V, 0-10V Dimming with 0-100% Dimming Range

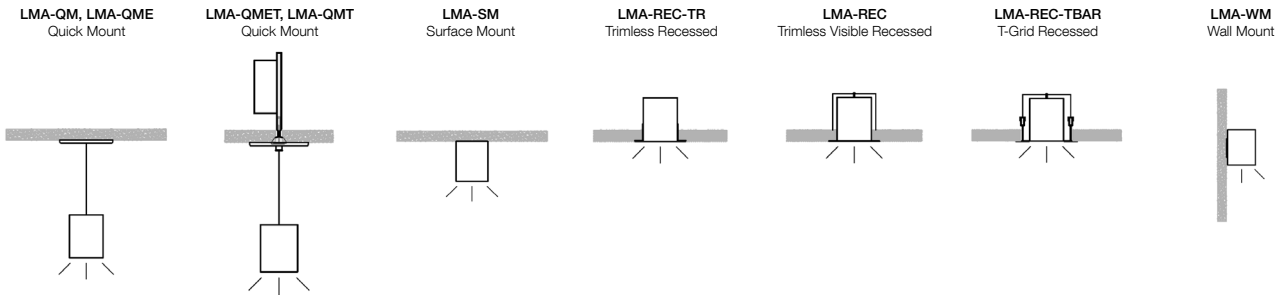
LUMINA SERIES

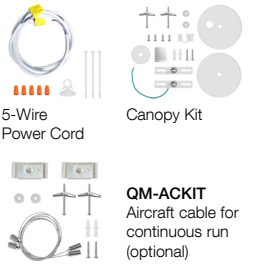
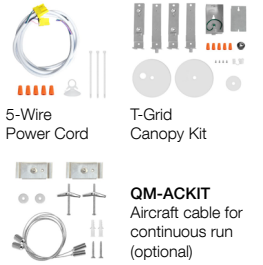
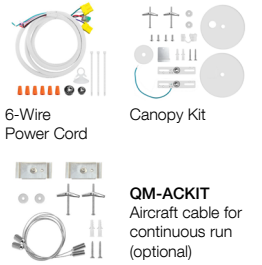
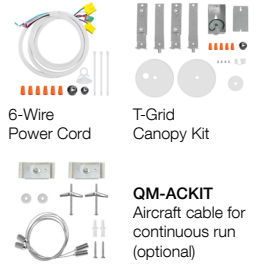
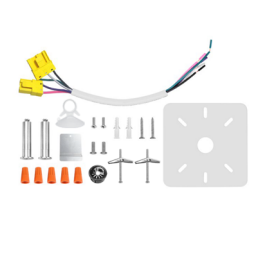




SUBMITTAL WORKSHEET

Order Code Example: **LMA-QM-12FT-BK**
G

G MOUNTING (CHOOSE ONE)

- LMA-QM-__-__*** **QS** 5-Wire Cord Aircraft Cable, 5" J-Box Cover Plate.
Specify Cable Length: **6FT / 12FT**, Specify Cord Finish: **BK**: Black / **WH**: White
- LMA-QMT-__-__*** **QS** 5-Wire Cord Aircraft Cable for T-Grid Ceiling, 5" J-Box Cover Plate.
Specify Cable Length: **6FT / 12FT**, Specify Cord Finish: **BK**: Black / **WH**: White
- LMA-QME-__-__*** **QS** 6-Wire Cord Aircraft Cable, 5" J-Box Cover Plate, for Emergency Battery
Specify Cable Length: **6FT / 12FT**, Specify Cord Finish: **BK**: Black / **WH**: White
- LMA-QMET-__-__*** **QS** 6-Wire Cord Aircraft Cable for T-Grid Ceiling, 5" J-Box Cover Plate for Emergency Battery
Specify Cable Length: **6FT / 12FT**, Specify Cord Finish: **BK**: Black / **WH**: White
- LMA-SM*** **QS** Surface Mount Kit (SUITABLE FOR DIRECT DISTRIBUTION ONLY)
- LMA-REC*** **QS** Recessed
- LMA-REC-TR*** **QS** Trimless Recessed
- LMA-REC-TBAR*** **QS** T-Grid Recessed
- LMA-WM*** **QS** Wall Mount



<p>LMA-QM</p> 	<p>LMA-QMT</p> 	<p>LMA-QME</p> 	<p>LMA-QMET</p> 	<p>LMA-SM</p> 
<p>LMA-REC</p> 	<p>LMA-REC-TR</p> 	<p>LMA-REC-TBAR</p> 	<p>LMA-WM</p> 	

LUMINA SERIES

SUBMITTAL WORKSHEET

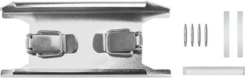


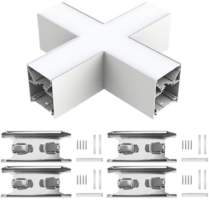




Order Code Example: LMA-L-CON - EMB-H018170
 H H

H OPTIONS

BAA		Assembled in America, Compliant with BAA (COTS)
LMA-CON	QS	LMA Profile Inline Joiner (metal bracket)
LMA-L-CON*	QS	LMA Profile "L" 90° Connector
LMA-T-CON*	QS	LMA Profile "T" 90° Connector
LMA-X-CON*	QS	LMA Profile "X" 90° Connector
LMA-Y-CON*	QS	LMA Profile "Y" 120° Connector
LMA-V-CON*	QS	LMA Profile "V" 120° Connector
LENS-LMA-40	QS	Continuous Diffuser Rolling Lens Up to 40FT.
SENSOR-KIT-IFS06R**	QS	Integral PIR on/off/dimming/photosensing (14V DC Power by Driver)
EMB-8W-B**	QS	90-Minute Self-Diagnostic Emergency Battery 8W 100-347VAC Input 170VDC Output

*see page 5 for detail

**see page 10 and 11 for emb and sensor spec

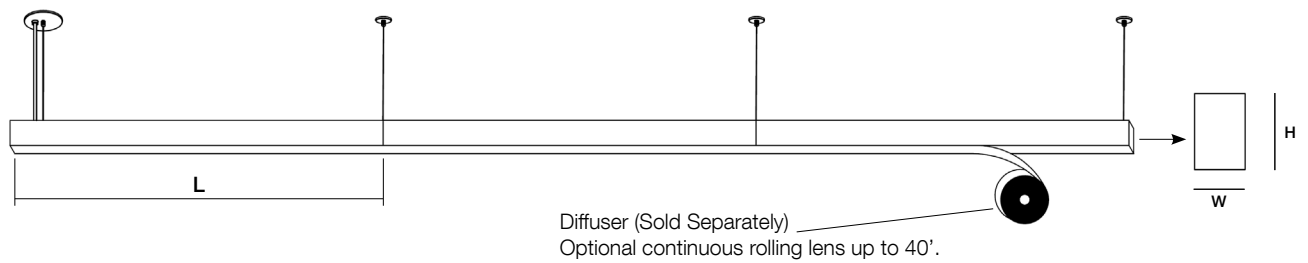
LMA-CON LMA Profile Inline Joiner	LMA-L-CON LMA Profile "L" 90° Connector	LMA-T-CON LMA Profile "T" 90° Connector	LMA-X-CON LMA Profile "X" 90° Connector
			
LMA-Y-CON LMA Profile "Y" 120° Connector	LMA-V-CON LMA Profile "V" 120° Connector	LENS-LMA-40 40FT Diffuser Lens	SENSOR-KIT-IFS06R PIR Sensor
			

LUMINA SERIES

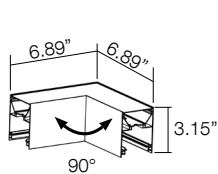
DIMENSIONS - FIXTURE

Size	L	W	H
2FT	23.62"	2.48"	3.15"
4FT	47.24"		
8FT	94.49"		

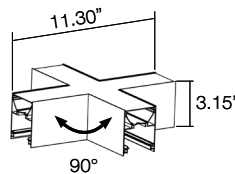
Continuous Run
120VAC: Connections up to 40FT.
277VAC: Connections up to 100FT.



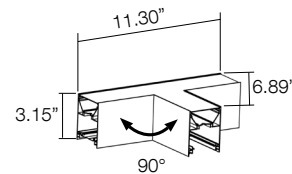
DIMENSIONS - CONNECTORS



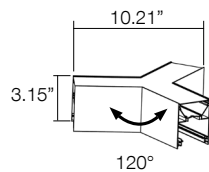
LMA-L-CON
LMA Profile "L" 90° Connector



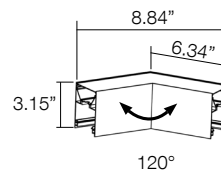
LMA-X-CON
LMA Profile "X" 90° Connector



LMA-T-CON
LMA Profile "T" 90° Connector



LMA-Y-CON
LMA Profile "Y" 120° Connector



LMA-V-CON
LMA Profile "V" 120° Connector

LUMINA SERIES

PERFORMANCE DATA

SIZE	SETTING	WATTAGE	2700K		3000K		3500K		4000K		5000K	
			LUMENS	LPW	LUMENS	LPW	LUMENS	LPW	LUMENS	LPW	LUMENS	LPW
2FT	Lv 1	20W	2500	125	2500	125	2700	135	2700	135	2600	130
	Lv 2	15W	1875	125	1875	125	2025	135	2025	135	1950	130
	Lv 3	10W	1250	125	1250	125	1350	135	1350	135	1300	130
4FT	Lv 1	40W	5000	125	5000	125	5400	135	5400	135	5200	130
	Lv 2	30W	3750	125	3750	125	4050	135	4050	135	3900	130
	Lv 3	20W	2500	125	2500	125	2700	135	2700	135	2600	130
8FT	Lv 1	80W	10000	125	10000	125	10800	135	10800	135	10400	130
	Lv 2	60W	7500	125	7500	125	8100	135	8100	135	7800	130
	Lv 3	40W	5000	125	5000	125	5400	135	5400	135	5200	130

OUTPUT

Fixed CCT

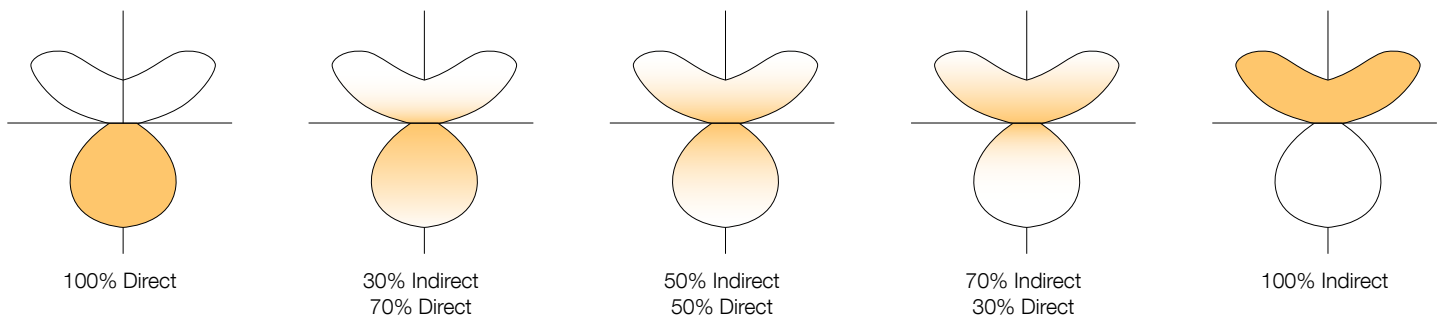
2700K, 3000K, 3500K, 4000K, 5000K

90+ CRI 

Selectable Wattage



Selectable Light Distribution

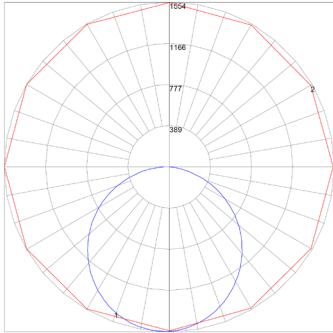


LUMINA SERIES

PHOTOMETRIC

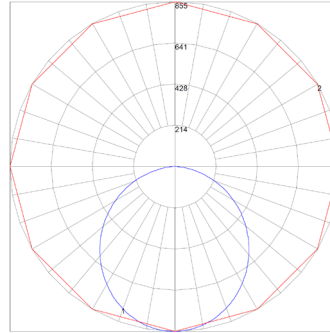
IES: LMA-L4 D-100% @ 4000K 40W

IES: LMA-L2 D-100% @ 4000K 20W



Zone	Lumen	Luminaire%
0-30	1198	26.90
0-40	1962	44.00
0-60	3480	78.10
0-90	4457	100
0-180	4457	100

Lumen: 4457
Input Watts: 40 W
Efficacy: 111 LPW



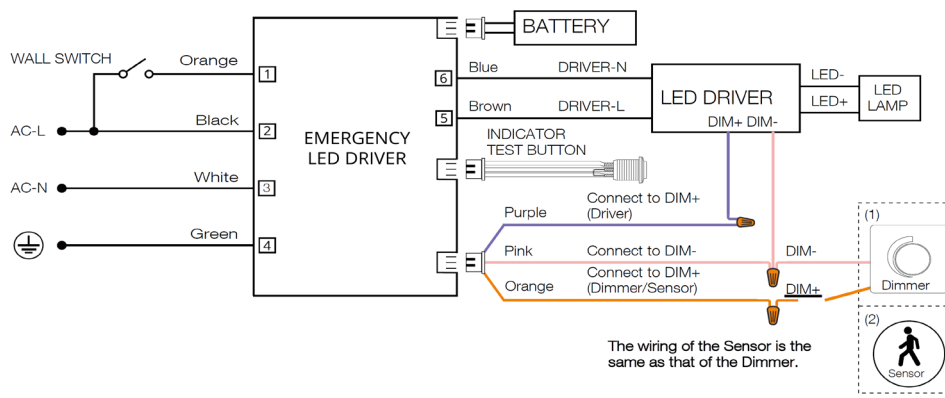
Zone	Lumen	Luminaire%
0-30	654	27.90
0-40	1064	45.30
0-60	1862	79.30
0-90	2348	100
0-180	2348	100

Lumen: 2348
Input Watts: 20 W
Efficacy: 117 LPW

LUMINA SERIES

EMB SPEC

Model	Battery Capacity	Input	Output	Output Power	Operating Temp	Installation
EMB-8W-B	90mins	100-347VAC	170VDC	8W	0°C ~ 50°C 32°F ~ 122°F	Field Install



SENSOR SPEC

Model	Type	Mounting	Coverage	Input	Function	Programmable
SENSOR-KIT-IFS06R	PIR Sensor	Integral to Fixture	-	14V DC	On/Off Daylight Harvesting Bi-Level Dimming Adj. Hold Time	-



SENSOR-KIT-IFS06R

FEATURE

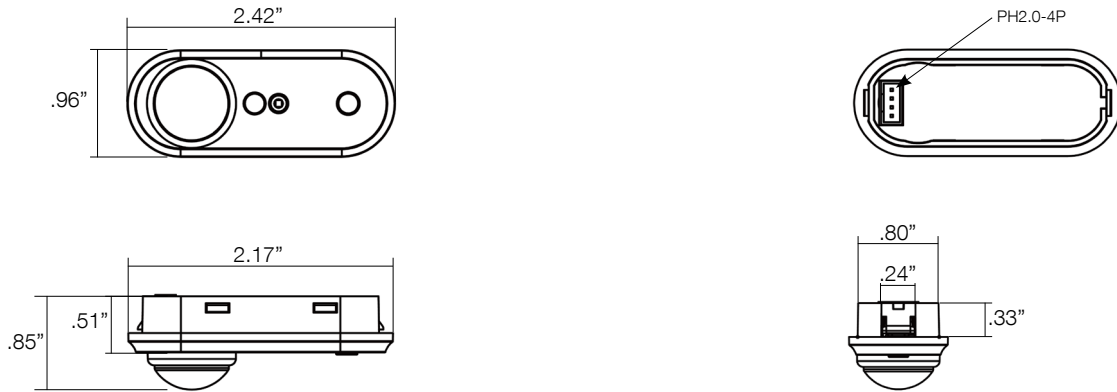
- **Installation:** Factory Install - Sensor Integral to Fixture
- **Commissioning:** through Remote Control
- **Control:** Adjustable Hold Time, Bi-Level Dimming, Manual/Auto - On/Off
- **Sensor:** Motion (Occupancy/Vacancy/Manual) and Daylight Harvesting



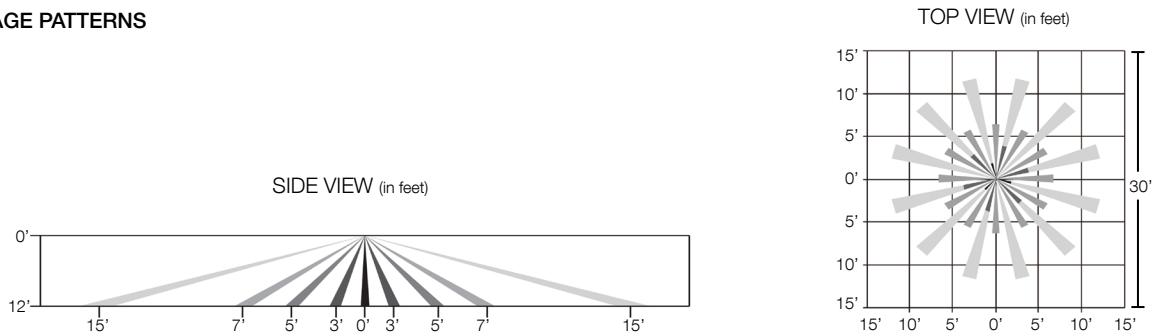
SPECIFICATIONS

SENSOR TYPE:	Passive Infrared Sensor (PIR)	COMMISSIONING RANGE:	50FT from Remote Control
INPUT VOLTAGE:	10-14VDC, >50mA	TIME SETTING:	10sec ~ 60min (adjustable)
LIGHT-CONTROL:	Daylight Harvesting with Automatic Dimming	DETECTION ANGLE:	360°
CONTROL OUTPUT:	0-10V, Max. 25mA sinking current	MOUNTING HEIGHT:	12FT Max.
OPERATING TEMP:	-4°F ~ +140°F (-20°C ~ +60°C)	WARRANTY:	5 years
		IP RATING:	IP20

DIMENSIONS



COVERAGE PATTERNS



ORDER CODE

EXAMPLE: SENSOR-KIT-IFS06R

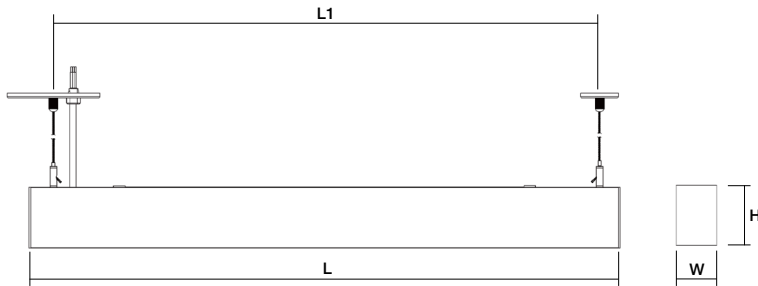
A SERIES

SENSOR-KIT-IFS06R Integral PIR on/off/dimming/photosensing (14V DC Power by Driver)

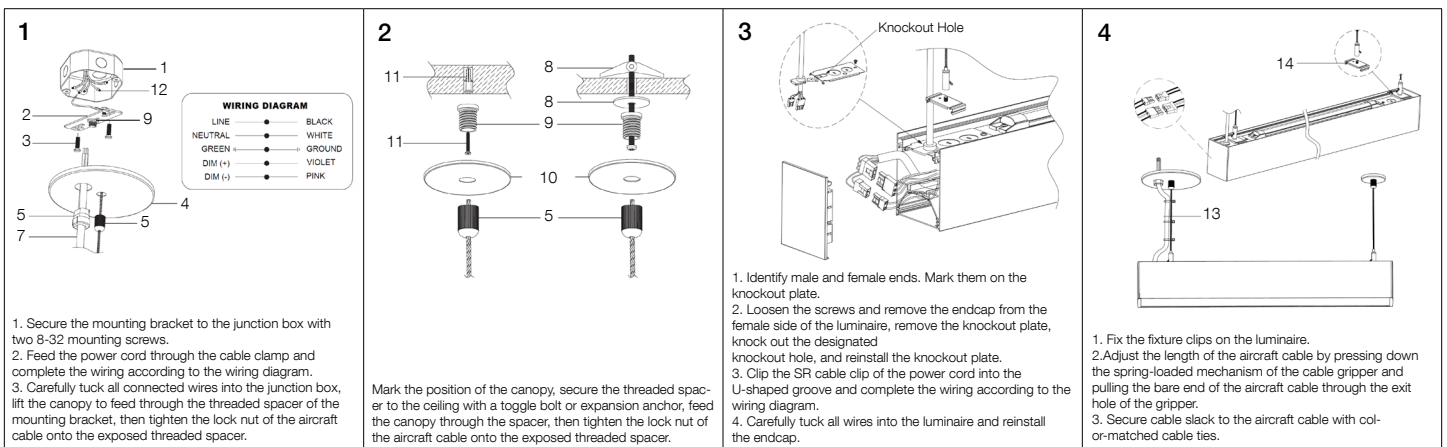
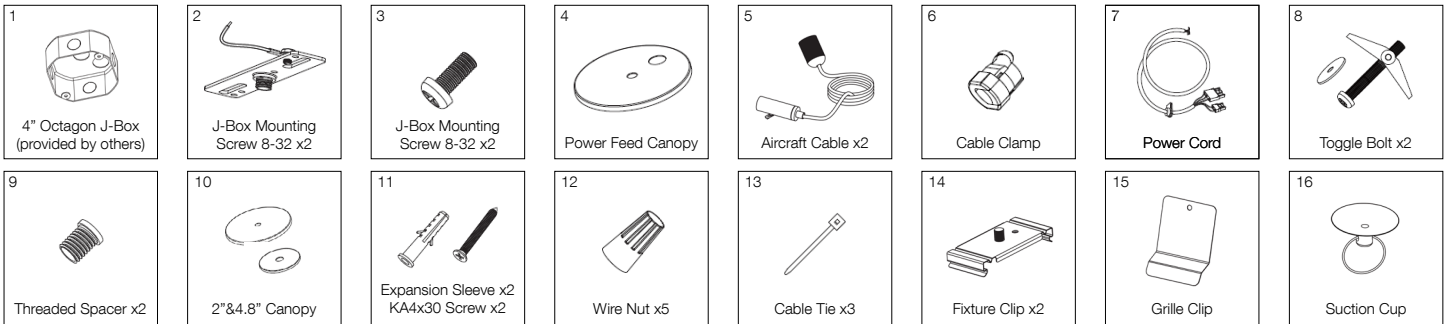
LUMINA SERIES

INSTALLATION

LMA-QM / LMA-QME - Quick Mount Installation



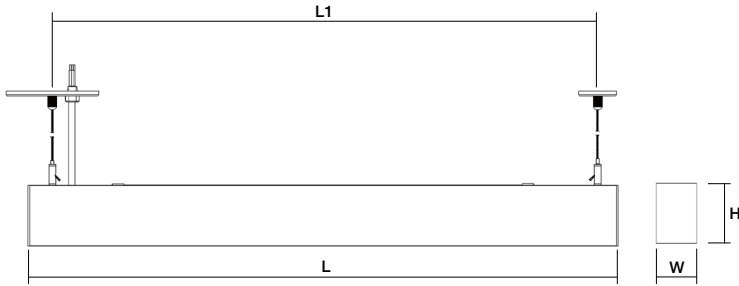
LMA				
Size	L	W	H	L1 - Installation Spacing
2FT	23.82"	2.48"	3.15"	14.17"-22.05"
4FT	47.44"			37.80"-45.67"
6FT	71.06"			61.42"-69.30"
8FT	94.67"			85.03"-92.91"



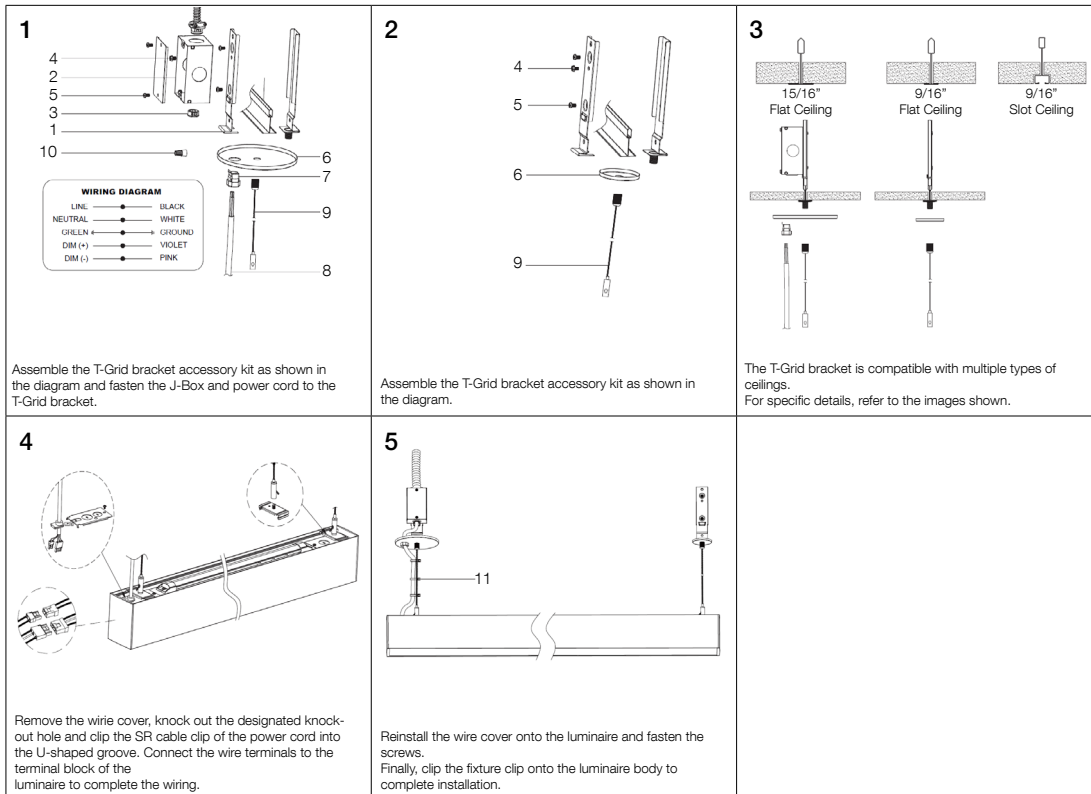
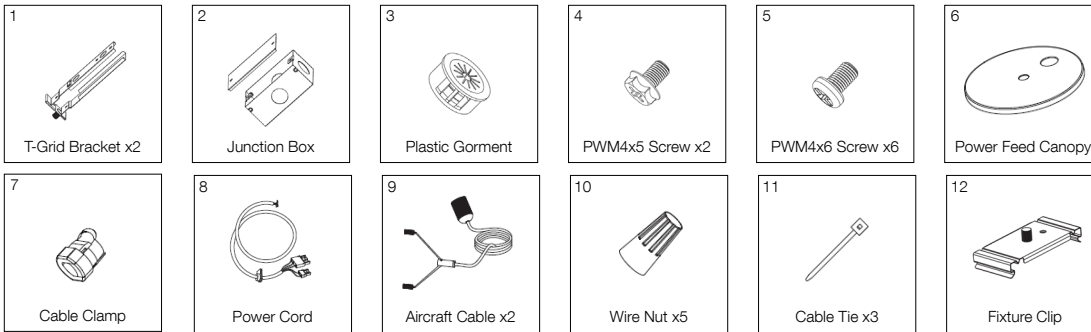
LUMINA SERIES

INSTALLATION

LMA-QMT / LMA-QMET - T-Grid Quick Mount Installation



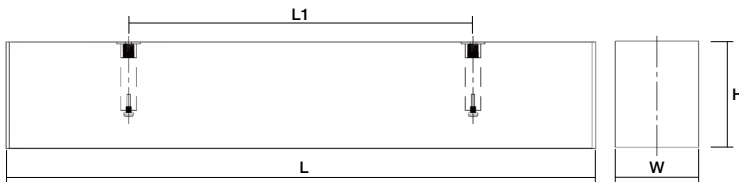
LMA				
Size	L	W	H	L1 - Installation Spacing
2FT	23.82"	2.48"	3.15"	14.17"-22.05"
4FT	47.44"			37.80"-45.67"
6FT	71.06"			61.42"-69.30"
8FT	94.67"			85.03"-92.91"



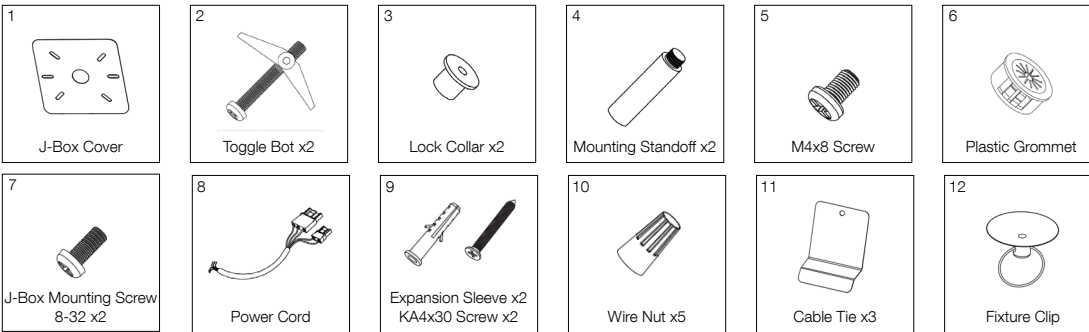
LUMINA SERIES

INSTALLATION

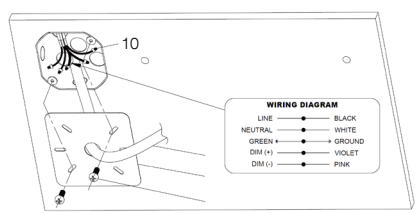
LMA-SM - Surface Mount Installation



LMA				
Size	L	W	H	L1 - Installation Spacing
2FT	23.82"	2.48"	3.15"	14.17"
4FT	47.44"			37.80"
6FT	71.06"			61.42"
8FT	94.67"			85.03"

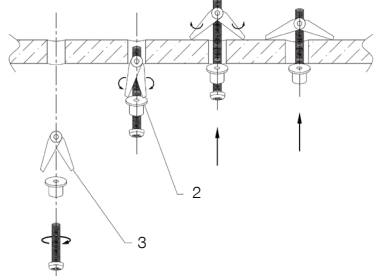


1



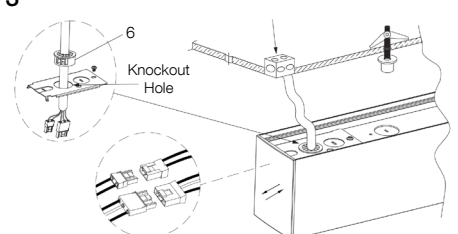
Determine the installation location of the lock collar based on the fixture length and drill holes in the ceiling.

2



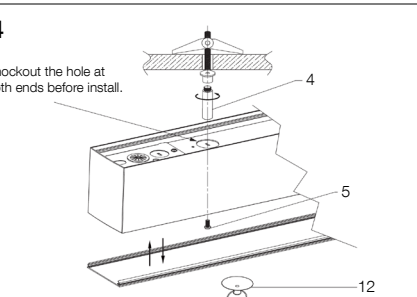
Install the lock collar and mounting standoff as the above toggle bolt installation diagram.

3



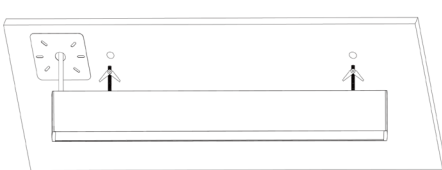
1. Identify female and male ends. Mark on the knockout plate.
2. Unscrew the screws, remove the endcap from the female side of the luminaire, and take out the knockout plate. Knock out the KO hole as shown and keep the endcap and screws for reuse.
3. Feed the supply wires through the plastic grommet and the hole in the knockout plate. Insert the plastic grommet into the hole. Connect the 5-wire cable to the male-female terminals in accordance with the color codes of the pre-connected wires.

4



1. Knock out the KO hole as shown in the diagram and tighten the mounting standoff with the lock collar by screwing.
2. Remove the diffuser with the suction cup and secure the luminaire body to the mounting standoff by locking screws at both ends.

5

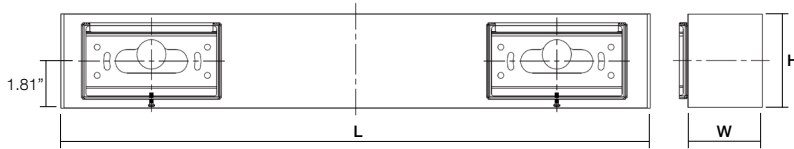


Complete schematic diagram of surface mounting.

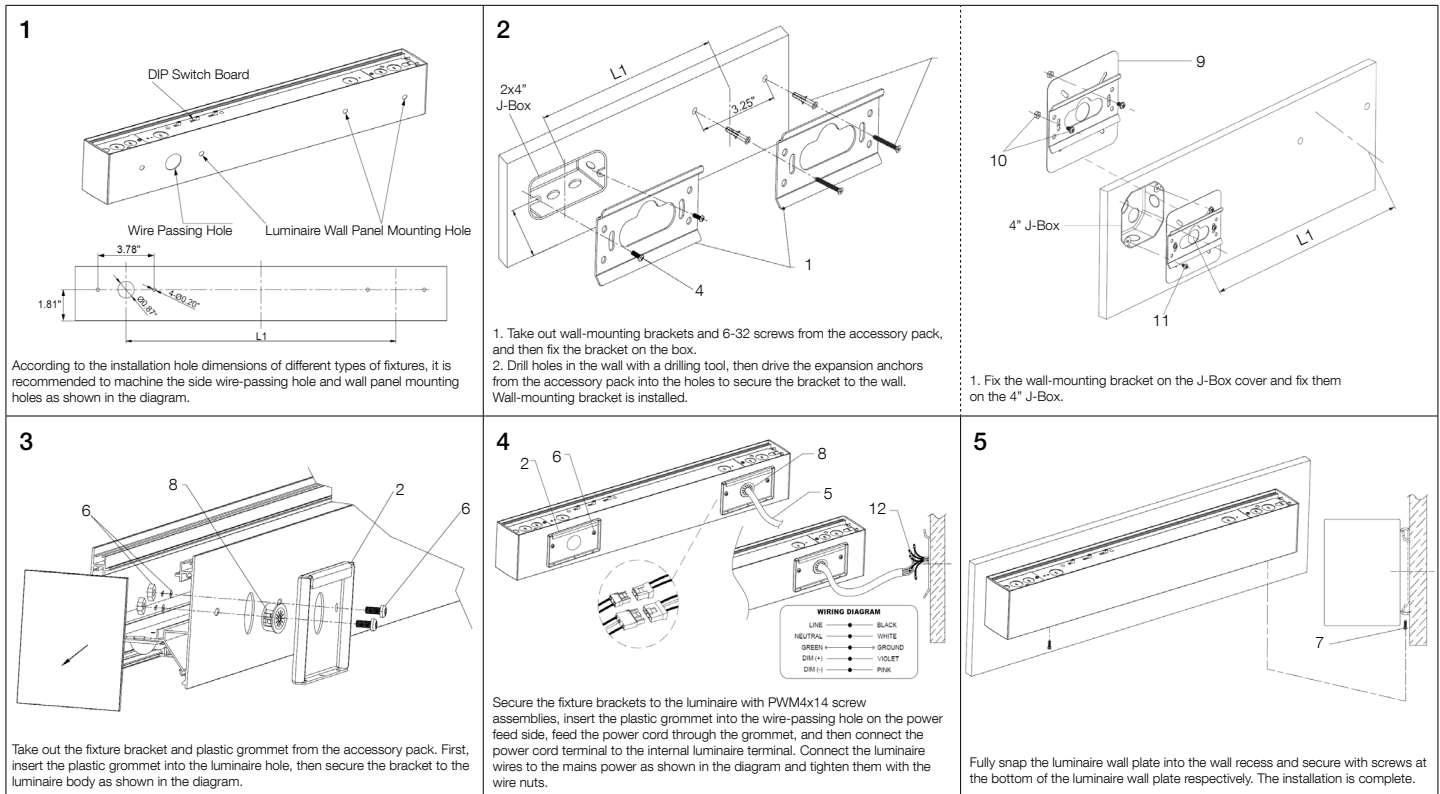
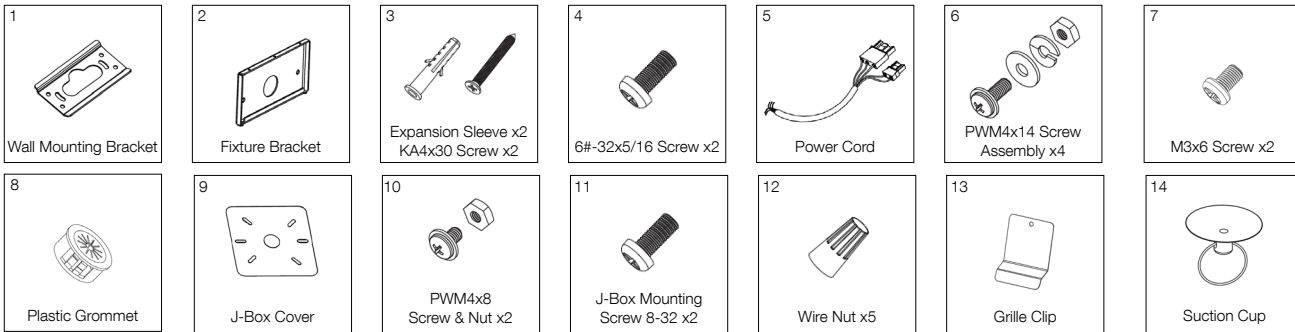
LUMINA SERIES

INSTALLATION

LMA-WM - Wall Mount Installation



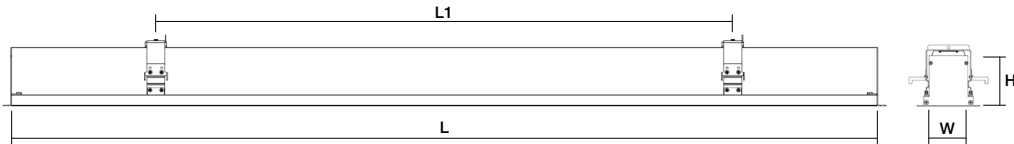
LMA				
Size	L	W	H	L1 - Installation Spacing
2FT	23.82"	2.48"	3.15"	13.78"
4FT	47.44"			41.33"
6FT	71.06"			64.96"
8FT	94.67"			88.58"



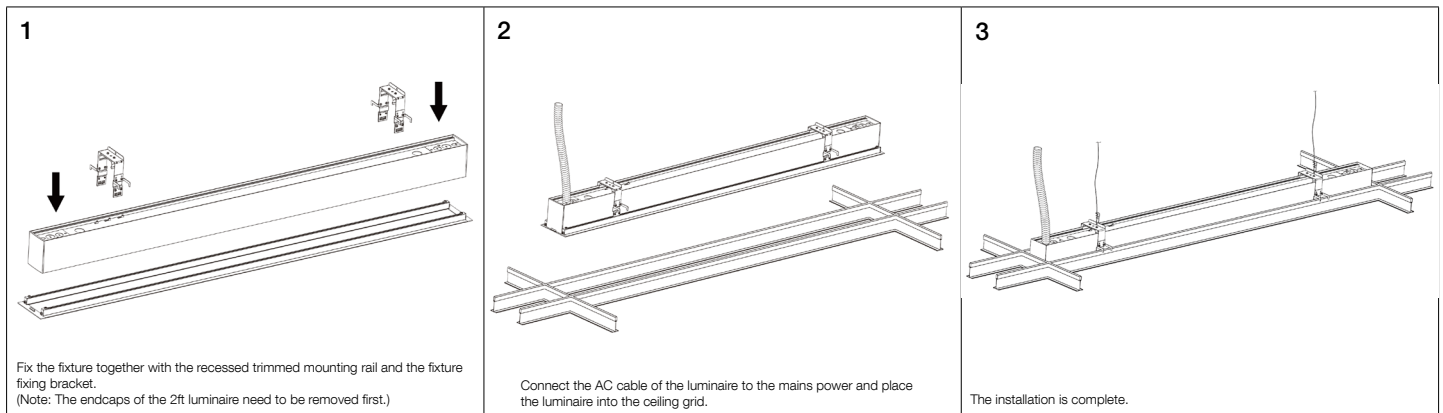
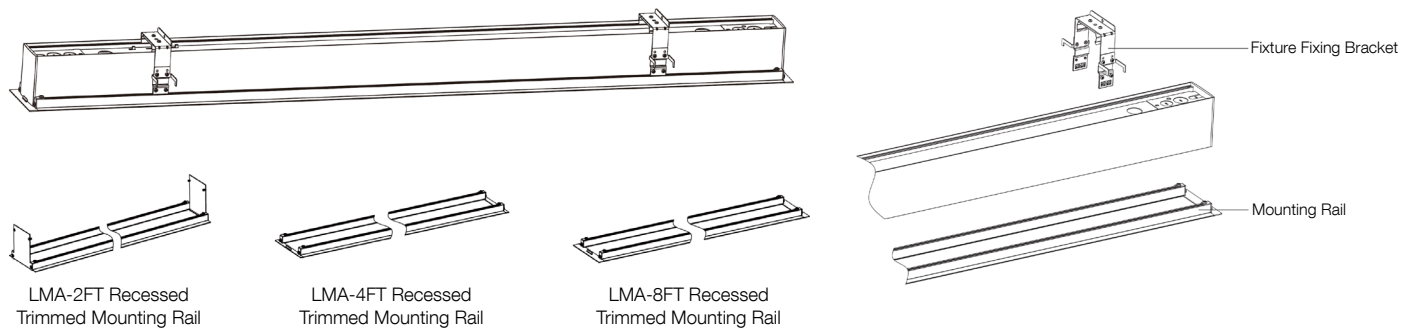
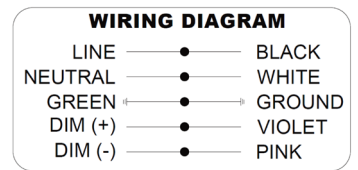
LUMINA SERIES

INSTALLATION

LMA-REC-TBAR - T-Grid Recessed Installation



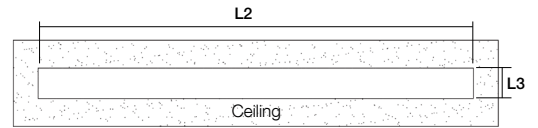
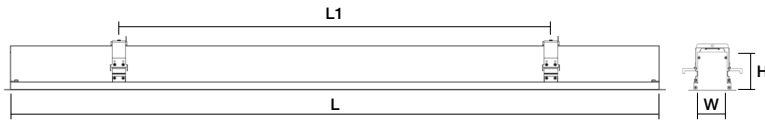
LMA-REC-TBAR						
Size	L	W	H	L1 - Installation Spacing	T-Grid Install Spacing (Vertical)	T-Grid Install Spacing (Horizontal)
2FT	23.82"	2.48"	3.15"	13.78"	24"	4.35"
4FT	47.44"			41.33"	48"	4.35"
8FT	94.67"			88.58"	96"	4.35"



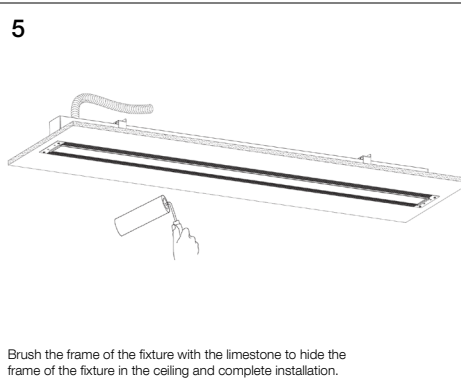
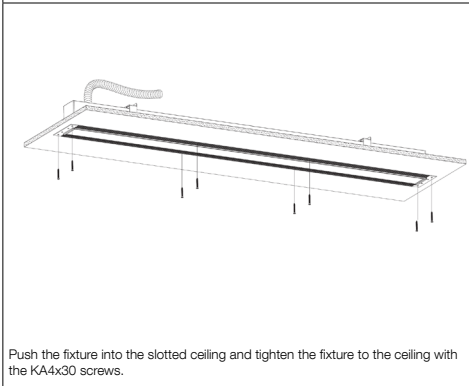
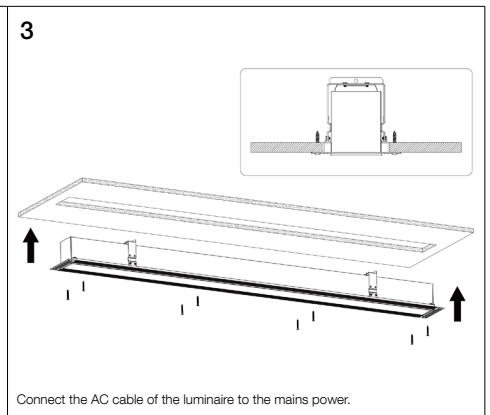
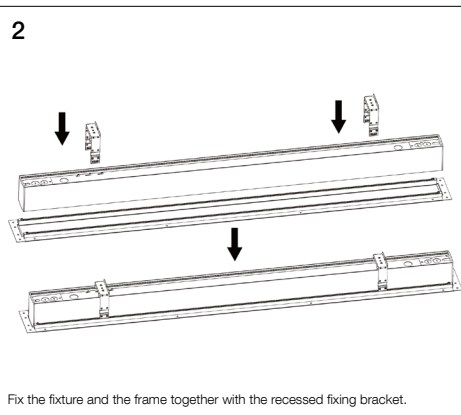
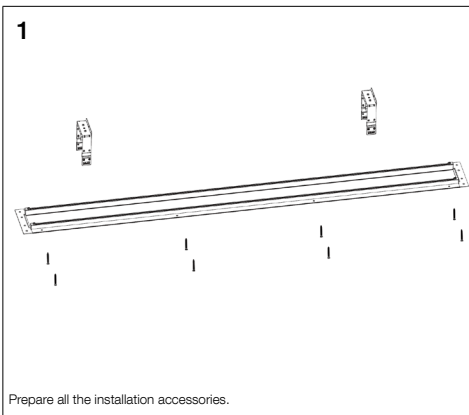
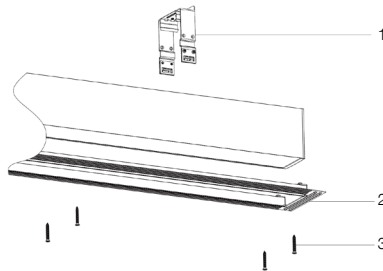
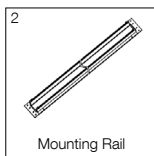
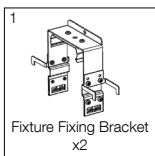
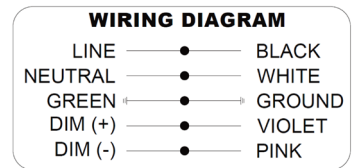
LUMINA SERIES

INSTALLATION

LMA-REC-TR - Trimless Recessed Installation



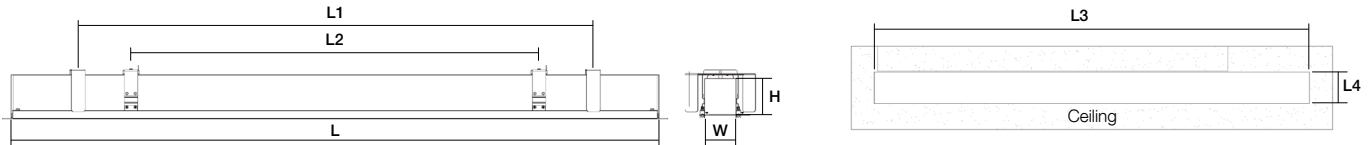
LMA-REC-TR						
Size	L	W	H	L1 Installation Spacing	L2 Dry Ceiling Slot Spacing	L3 Dry Ceiling Slot Spacing
2FT	23.82"	2.48"	3.15"	7.87"	24.40"	3.35"
4FT	47.44"			31.50"	48.03"	3.35"
6FT	71.06"			55.12"	71.65"	3.35"
8FT	94.67"			78.74"	95.28"	3.35"



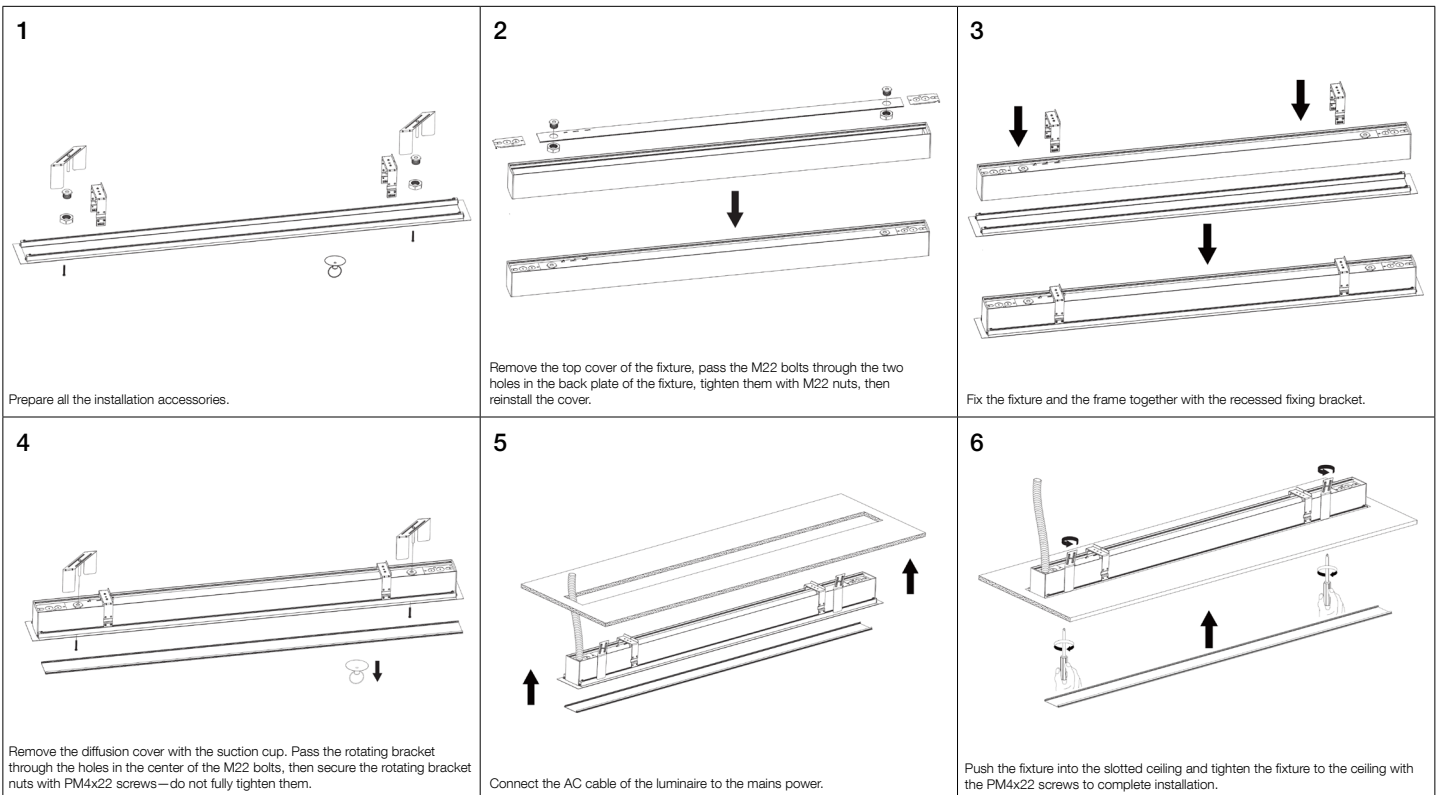
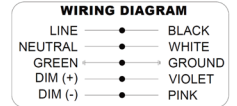
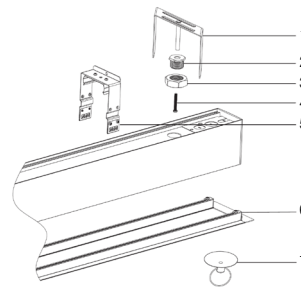
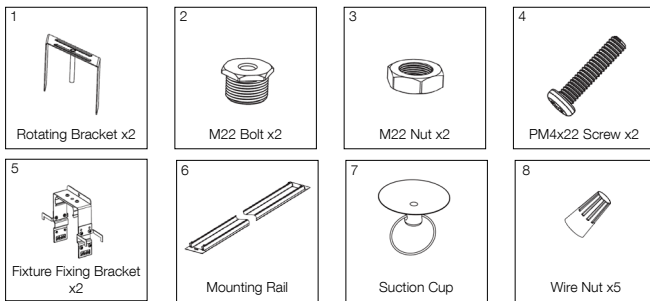
LUMINA SERIES

INSTALLATION

LMA-REC - Trimless Installation



LMA-REC							
Size	L	W	H	L1 Installation Spacing	L2 Installation Spacing	L3 Dry Ceiling Slot Spacing	L4 Dry Ceiling Slot Spacing
2FT	23.82"	2.48"	3.15"	14.17"	7.87"	24.40"	3.38"
4FT	47.44"			37.80"	31.49"	48.03"	3.38"
6FT	71.06"			61.42"	55.11"	71.65"	3.38"
8FT	94.67"			85.04"	78.74"	95.28"	3.38"

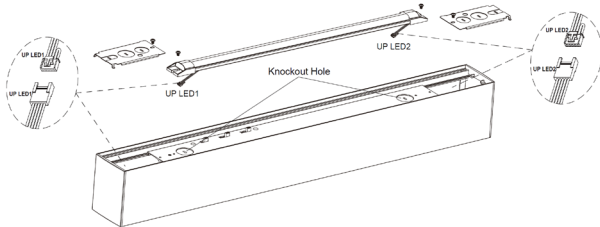


LUMINA SERIES

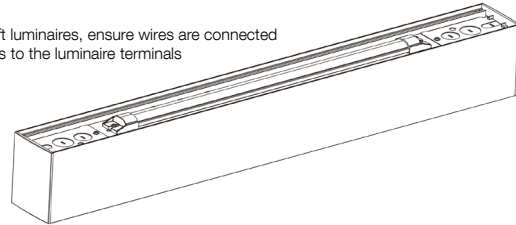
INSTALLATION

Indirect Lighting Module Installation

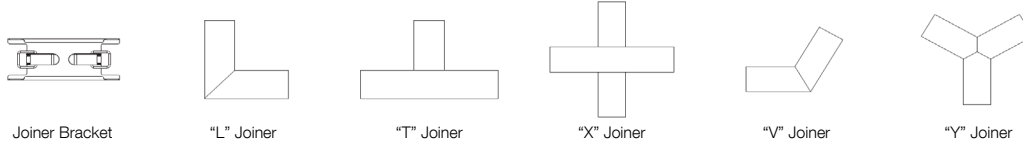
1. Knock out the knockoutholes and remove the wire covers.
2. Peel off the adhesive backing paper of the top-emitting module, then attach the module to the luminaire body and secure it with two screws.
3. Connect the wires. (For 2ft and 4ft luminaires: Plug in the terminal wires of UP LED1. For 8ft luminaires: Plug in the terminal wires of both UP LED1 and UP LED2.)
4. Tuck the wires into the luminaire and reinstall the wire covers.



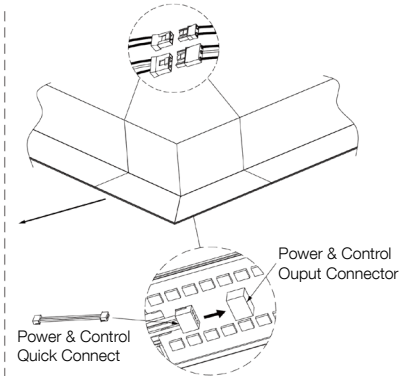
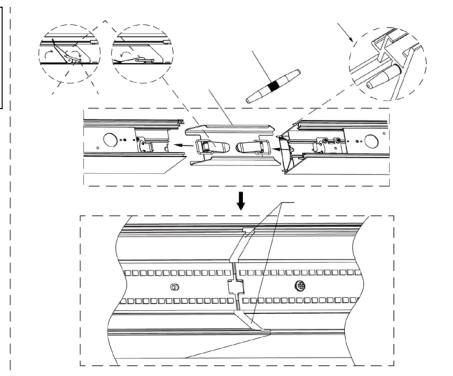
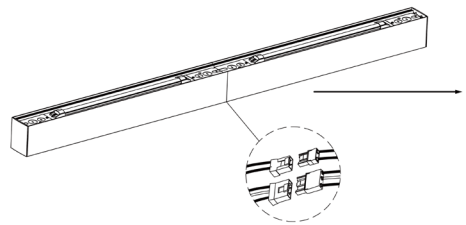
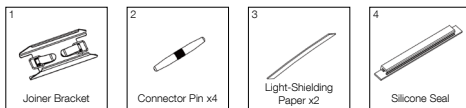
Note: For 8ft luminaires, ensure wires are connected at both ends to the luminaire terminals



Joiner Installation



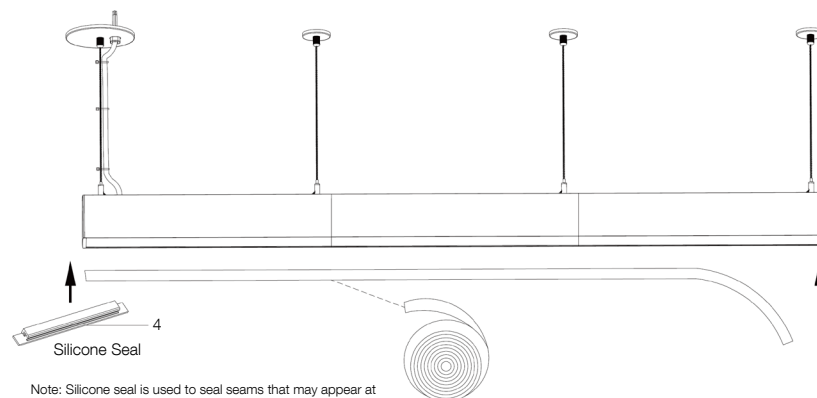
1. Remove the wire cover of the fixture with a screwdriver and take out the joiner bracket and connector pins from the accessory pack.
2. Insert the joiner bracket into the fixtures and insert the four connector pins into the holes of the fixture as shown in the diagram.
3. After connecting the docking terminal, lift the lever from the joiner bracket, bring the loop over to the installed hook, press down on the lever to lock the loop in place, and then reinstall the wire cover.
4. Tear off the adhesive backing of the light-shielding paper and stick it on the inner side of the luminaire body according to the illustration.



Connect the terminals as above if with joiners.

Diffuser Accessories (Optional)

Optional continuous rolling lens up to 40FT is available.



Note: Silicone seal is used to seal seams that may appear at both ends of the luminaires with multiple connections.