



Product Features

Helios Series 3" Recessed Downlight represents the new generation of the ALLURE line, bringing the industry's best performance small-aperture downlights. Trim, optics, and aiming options provide the highest quality of light possible, offering uncompromised performance, finishes, and serviceability. Base light engine offers selectable wattage (5-19W) with 90CRI maintained across 2700K-4000K. A Dim-to-Warm option is available, providing 95CRI over a 3000K-2000K range. Heatsink and trim made from aluminum extruded profile; with round and square options for downlighting or wall wash application, >90 CRI for fixed CCT, >95 CRI for Dim-to-Warm; cULus listed for damp location standard.

Technical Specifications

INPUT VOLTAGE	120-277VAC
FREQUENCY	50/60hz
LUMEN	475 ~ 1,700LM
WATTAGE	5 / 8 / 10 / 13 / 16 / 19W
LPW	93LPW Avg.
COLOR TEMPERATURE	2700K / 3000K / 3500K / 4000K / 3000K-2000K Dim-to-Warm
COLOR RENDERING INDEX	>90 (Static CCT), >95 (Dim-to-Warm)
DISTRIBUTION	15° / 24° / 36° / 60° - Low Glare Lens 18° / 24° / 38° / 50°
IP RATING	Damp Location / Wet Location with Optional Waterproof Lens
LIFE SPAN	>50,000 Hours
DIMMING	0-10V, 1% Dimming and Triac Dimming (2-in-1)



HELIOS SERIES | 3" TRIMLESS RECESSED

SUBMITTAL WORKSHEET

Order Code Example: **SERIES / LIGHT ENGINE / CCT / BEAM ANGLE / LENS HOLDER**

HL3-T - blank - 930 - 15 - TA

A B C D E

Order Code Example: **INPUT**

blank

F



Light Engine



Optics



30° Vertical Tilt
360° Horizontal
Adjustable Lens Holder

A SERIES (CHOOSE ONE)

HL3-T Helios Series 3" Trimless Recessed Downlight

B LIGHT ENGINE

CODE	POWER	LPW
blank QS	Field Selectable 5W / 8W / 10W / 13W / 16W / 19W	93 Avg.

C CCT (CHOOSE ONE)

CODE	CCT
927 QS	90CRI, 2700K
930 QS	90CRI, 3000K
935 QS	90CRI, 3500K
940 QS	90CRI, 4000K
DW QS	95CRI, 3000K~2000K Dim-to-Warm (Up to 13W / 840LM)

D BEAM ANGLE (CHOOSE ONE)

CODE	BEAM ANGLE	LOW GLARE LENS
15 QS	15°	LG18 QS 18°
24 QS	24°	LG24 QS 24°
36 QS	36°	LG38 QS 38°
60 QS	60°	LG50 QS 50°

E LENS HOLDER (CHOOSE ONE)

HA QS	360° Horizontal Adjustment
TA QS	30° Vertical Tilt Angle and 360° Horizontal Adjustment



F INPUT

blank **QS** 0-10V, 1% Dimming and Triac Dimming (2-in-1)

HELIOS SERIES | 3" TRIMLESS RECESSED

SUBMITTAL WORKSHEET

Order Code Example: TRIM

R-BK

G

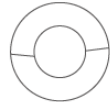


Trim

G TRIM (CHOOSE ONE)

ROUND

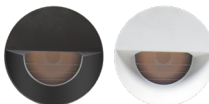
R-BK	QS	Black
R-WH	QS	White
R-GD	QS	Gold
R-CH	QS	Chrome



*Optional Honeycomb or Wet-Rated Waterproof Lens. Select on Page 4.

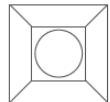
ROUND WALL WASH

RW-BK	QS	Black
RW-WH	QS	White



SQUARE

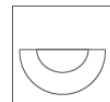
S-BK	QS	Black
S-WH	QS	White
S-GD	QS	Gold
S-CH	QS	Chrome



*Optional Honeycomb or Wet-Rated Waterproof Lens. Select on Page 4.

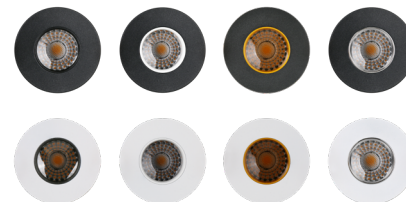
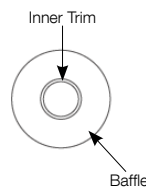
SQUARE WALL WASH

SW-BK	QS	Black
SW-WH	QS	White



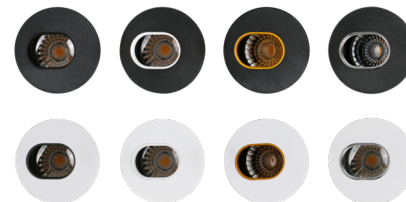
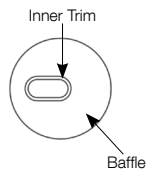
PINHOLE ROUND

PR-BK-BK	QS	Black Inner Trim / Black Baffle
PR-WH-BK	QS	White Inner Trim / Black Baffle
PR-GD-BK	QS	Gold Inner Trim / Black Baffle
PR-CH-BK	QS	Chrome Inner Trim / Black Baffle
PR-BK-WH	QS	Black Inner Trim / White Baffle
PR-WH-WH	QS	White Inner Trim / White Baffle
PR-GD-WH	QS	Gold Inner Trim / White Baffle
PR-CH-WH	QS	Chrome Inner Trim / White Baffle



PINHOLE OVAL

PO-BK-BK	QS	Black Inner Trim / Black Baffle
PO-WH-BK	QS	White Inner Trim / Black Baffle
PO-GD-BK	QS	Gold Inner Trim / Black Baffle
PO-CH-BK	QS	Chrome Inner Trim / Black Baffle
PO-BK-WH	QS	Black Inner Trim / White Baffle
PO-WH-WH	QS	White Inner Trim / White Baffle
PO-GD-WH	QS	Gold Inner Trim / White Baffle
PO-CH-WH	QS	Chrome Inner Trim / White Baffle



HELIOS SERIES | 3" TRIMLESS RECESSED

SUBMITTAL WORKSHEET

Order Code Example: **OPTIC MEDIA**

BDK-WH

H



Optic Media

Order Code Example: **MOUNTING / EMB**

NCH - EMB-H08170

I

J

H

OPTIC MEDIA (CHOOSE ONE - OPTIONAL)

blank	QS	None
HB*	QS	Honeycomb Louver
WR*	QS	Wet Rated Round Waterproof Lens
WS*	QS	Wet Rated Square Waterproof Lens

*Compatible with **Round** and **Square** Downlight Trims Only

BDK-__**	QS	Blue Decorative Kit with BK: Black or WH: White Center Plate
GDK-__**	QS	Green Decorative Kit with BK: Black or WH: White Center Plate
RDK-__**	QS	Red Decorative Kit with BK: Black or WH: White Center Plate
TDK-__**	QS	Transparent Decorative Kit with BK: Black or WH: White Center Plate
YDK-__**	QS	Yellow Decorative Kit with BK: Black or WH: White Center Plate

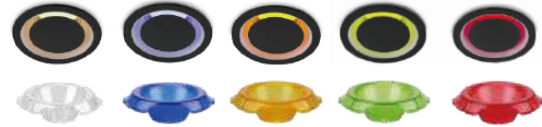
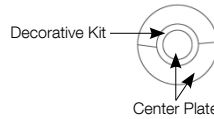
Compatible with **Round Trims Only



HB
Honeycomb



WR/WS
Wet Rated Waterproof Lens



Decorative Kit
For **ROUND** Trim Finish Only

I

MOUNTING (CHOOSE ONE)

RM*	QS	Retrofit/Remodel Kit
HL3-NCH*	QS	New Construction Frame Kit (Non-IC)
HL3-ICH*	QS	New Construction IC-Rated Frame Kit

*See page 8 for spec.

J

EMERGENCY BATTERY

EMB-H08170*	QS	90-Minute Self-Diagnostic Emergency Battery 8W 100-347VAC Input 170VDC Output
EMB-H18170*	QS	90-Minute Self-Diagnostic Emergency Battery 18W 100-347VAC Input 170VDC Output

*See page 10 for spec.

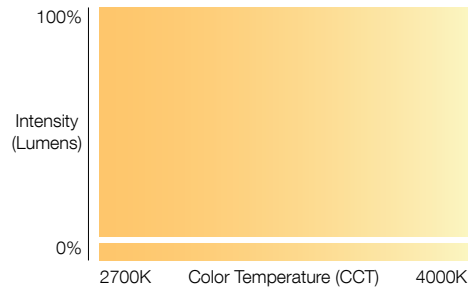
HELIOS SERIES | 3" TRIMLESS RECESSED

CCT

Fixed CCT

2700K, 3000K, 3500K, 4000K

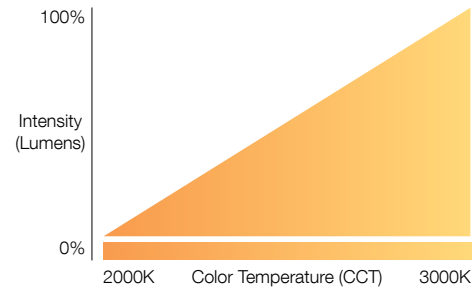
90+ CRI 



Dim-to-Warm

3000K~2000K

95+ CRI 



LENS

Standard Lens

High efficiency reflector with balanced glare control and light distribution.



15° / 24° / 36° / 60°



Low Glare Lens

Generates a defined cut-off beam without side glare, maximizing anti-glare performance.



18° / 24° / 38° / 50°



HELIOS SERIES | 3" TRIMLESS RECESSED

DIMENSIONS



Trimless Spackle-In

HL3 Light Engine Summary

LED Chip: Static: CREE. Dim-to-Warm: Bridgelux.

Power: 5W / 8W / 10W / 13W / 16W / 19W

Quality: >90 CRI for fixed CCT, >95 CRI for Dim-to-Warm

CCT: Static: 2700K / 3000K / 3500K / 4000K. Dim-to-Warm: 3000K~2000K

Input: 120-277VAC

Dimming: 0-10V, 1% Dimming and Triac Dimming (2-in-1)

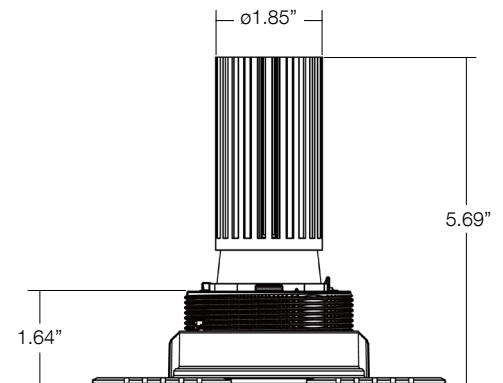
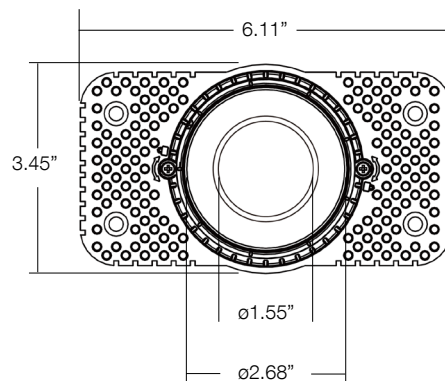
Power Factor: Greater than 0.9

Ambient Operating Temperature: -20°C to 40°C

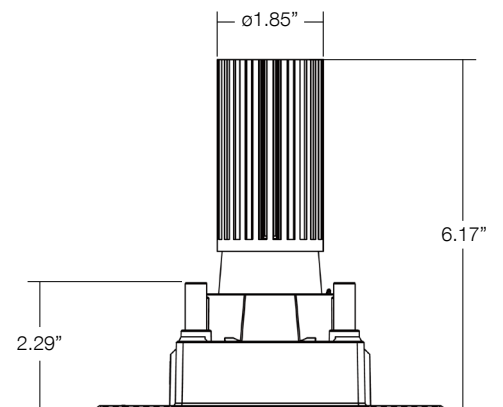
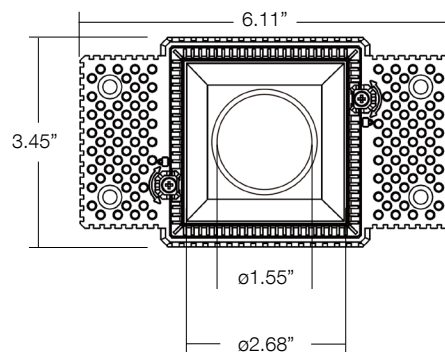
Lifetime: 50,000 hours at 70% lumen maintenance

Listing: cULus Damp Location / Wet Location with Optional Waterproof Lens.

Round



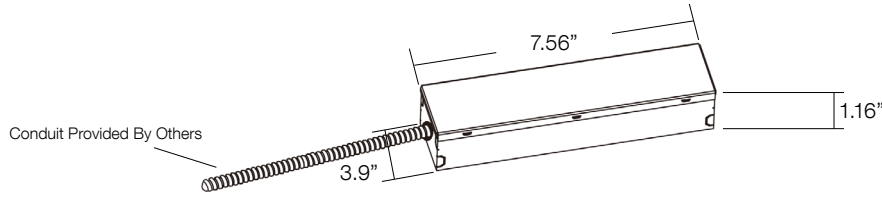
Square



HELIOS SERIES | 3" TRIMLESS RECESSED

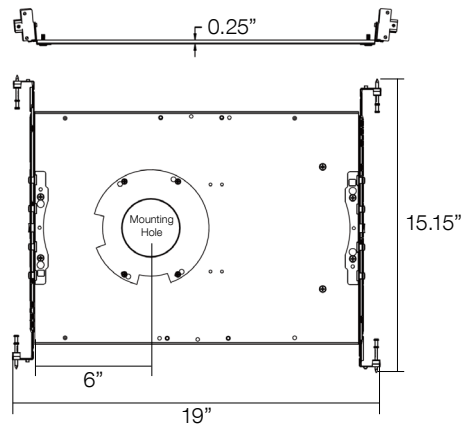
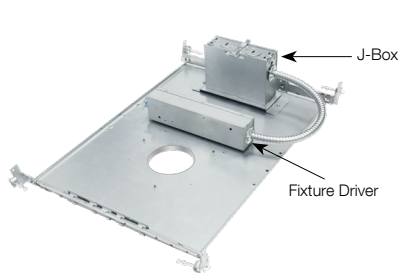
DIMENSIONS - HOUSING

RM - No Housing, Remote Mount Driver with Enclosure

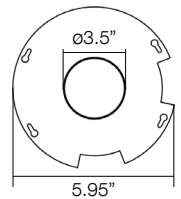


HL3-NCH - New Construction Frame Kit (Non-IC)

Standard Non-IC mounting frame.
Wiring junction box, fixture driver box rest on the frame kit by magnet when installed as shown below.

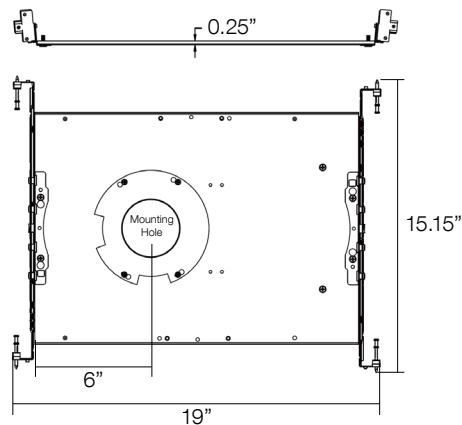
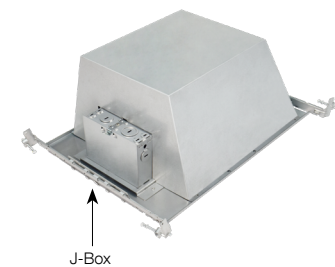


Mounting Hole
for **Helios 3" Round**

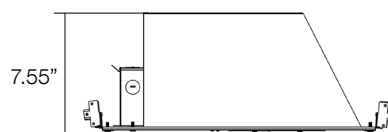
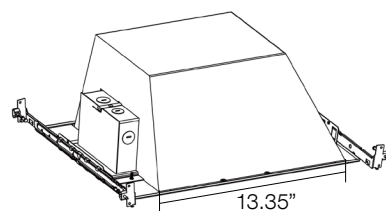
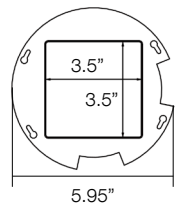


HL3-ICH - New Construction IC-Rated Frame Kit

IC-Rated housing frame kit allows direct contact with insulation.



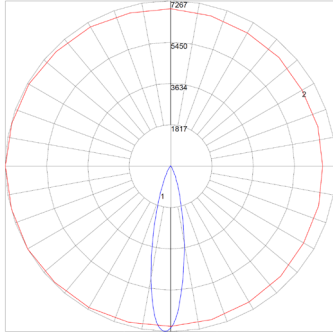
Mounting Hole
for **Helios 3" Square**



HELIOS SERIES | 3" TRIMLESS RECESSED

PERFORMANCE

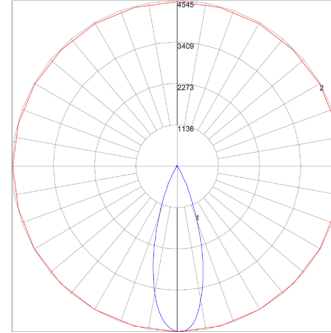
IES: HL3 Round @ 16W 90CRI 3000K 24°



Zone	Lumen	Luminaire%
0-30	1434	94.10
0-40	1492	97.90
0-60	1500	98.50
0-90	1504	98.70
0-180	1525	100

Lumen: 1525
 Input Watts: 16 W
 Efficacy: 95 LPW

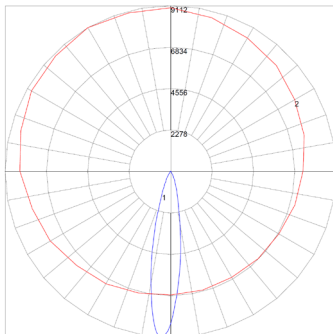
IES: HL3 Round @ 19W 90CRI 2700K 36°



Zone	Lumen	Luminaire%
0-30	1445	92.80
0-40	1496	96.00
0-60	1525	97.90
0-90	1538	98.70
0-180	1558	100

Lumen: 1558
 Input Watts: 19 W
 Efficacy: 82 LPW

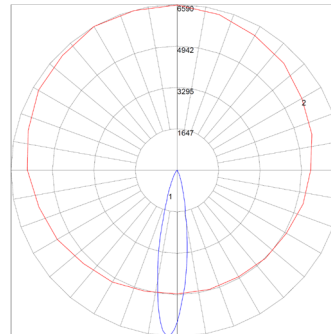
IES: HL3 Round @ 19W 90CRI 3000K 15°



Zone	Lumen	Luminaire%
0-30	1491	93.40
0-40	1562	97.80
0-60	1572	98.40
0-90	1576	98.20
0-180	1597	100

Lumen: 1597
 Input Watts: 19 W
 Efficacy: 84 LPW

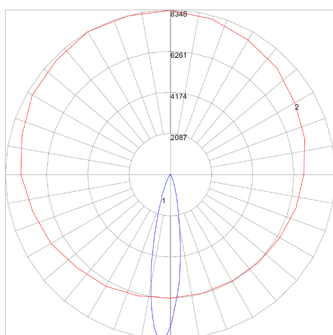
IES: HL3 Square @ 13W 90CRI 3000K 15°



Zone	Lumen	Luminaire%
0-30	1043	94.30
0-40	1079	97.50
0-60	1087	98.30
0-90	1092	98.70
0-180	1107	100

Lumen: 1107
 Input Watts: 13 W
 Efficacy: 85 LPW

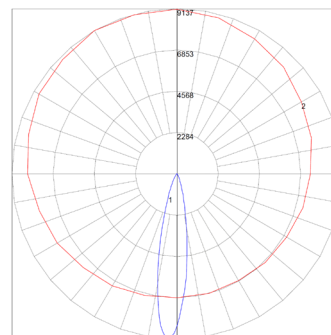
IES: HL3 Square @ 16W 90CRI 3000K 15°



Zone	Lumen	Luminaire%
0-30	1323	94.30
0-40	1367	97.50
0-60	1379	98.30
0-90	1384	98.70
0-180	1403	100

Lumen: 1403
 Input Watts: 16 W
 Efficacy: 1403 LPW

IES: HL3 Square @ 19W 90CRI 3000K 15°



Zone	Lumen	Luminaire%
0-30	1448	94.30
0-40	1497	97.50
0-60	1509	98.30
0-90	1515	98.70
0-180	1536	100

Lumen: 1536
 Input Watts: 19 W
 Efficacy: 80 LPW

HELIOS SERIES | 3" TRIMLESS RECESSED

INSTALLATION

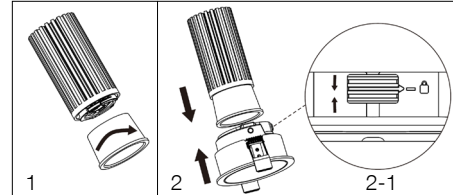
Assemble Trim, Lens, and LED Engine

1. Assemble Lens and LED Engine:

Attached together, and secure them tight with clockwise direction.

2. Assemble Lens and Trim:

Slide the button downward in the trim direction to combine the lens and trim. Once aligned, slide it upward to lock into place (See 2-1).



New Construction Applications

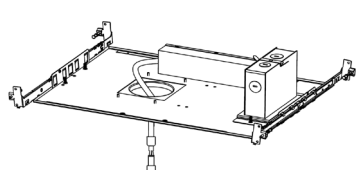
Step 1: Install the fixture in the ceiling using the two hanger bars **1** (Supplied) . Mount the fixture in the ceiling so that the weight of the fixture is supported by the hanger bars, mounting channel, bar, and/or hanger wires secured to the building structure. Drill hole in drywall **2**. A round $\phi 3.60$ " hole needed for Helios 3" Round Trimless; 3.60" x 3.60" square hole for Helios 3" Square Trimless.

Step 2: Open the J-box **3** **4**, connect the power supply and ground wire according to the wiring diagram. (Only if the driver has 0-10V dimming, the dimming wire needs to be connected). For **Trimless** installation, refer to **Diagram B** (page 12).

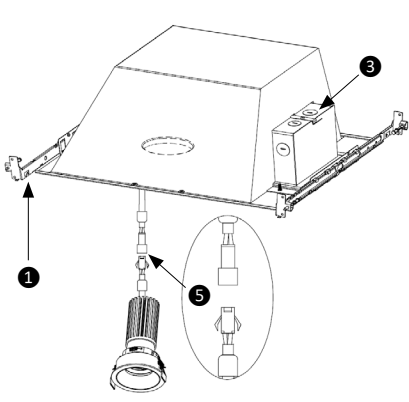
Step 3: Connect LED downlight with housing using provided quick-connectors **5**.

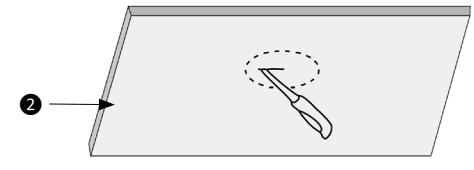
Step 4: Complete installation by carefully tighten the spring clips through the ceiling opening **6**.

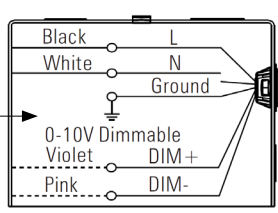
Frame Kit (NON-IC)

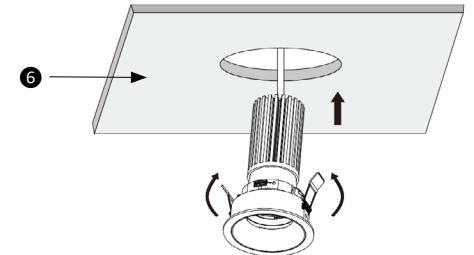


IC-Rated Frame Kit









Mounting Space Required	
Housing Insulation Kit (IC)	Frame Kit (Non-IC)
Min. 13.8" x 19.33" x 7.33"	Min. 13.8" x 19.33" x 6"
Max. 24" x 19.33" x 7.33"	Max. 24" x 19.33" x 6"

HELIOS SERIES | 3" TRIMLESS RECESSED

INSTALLATION

Remodel Applications

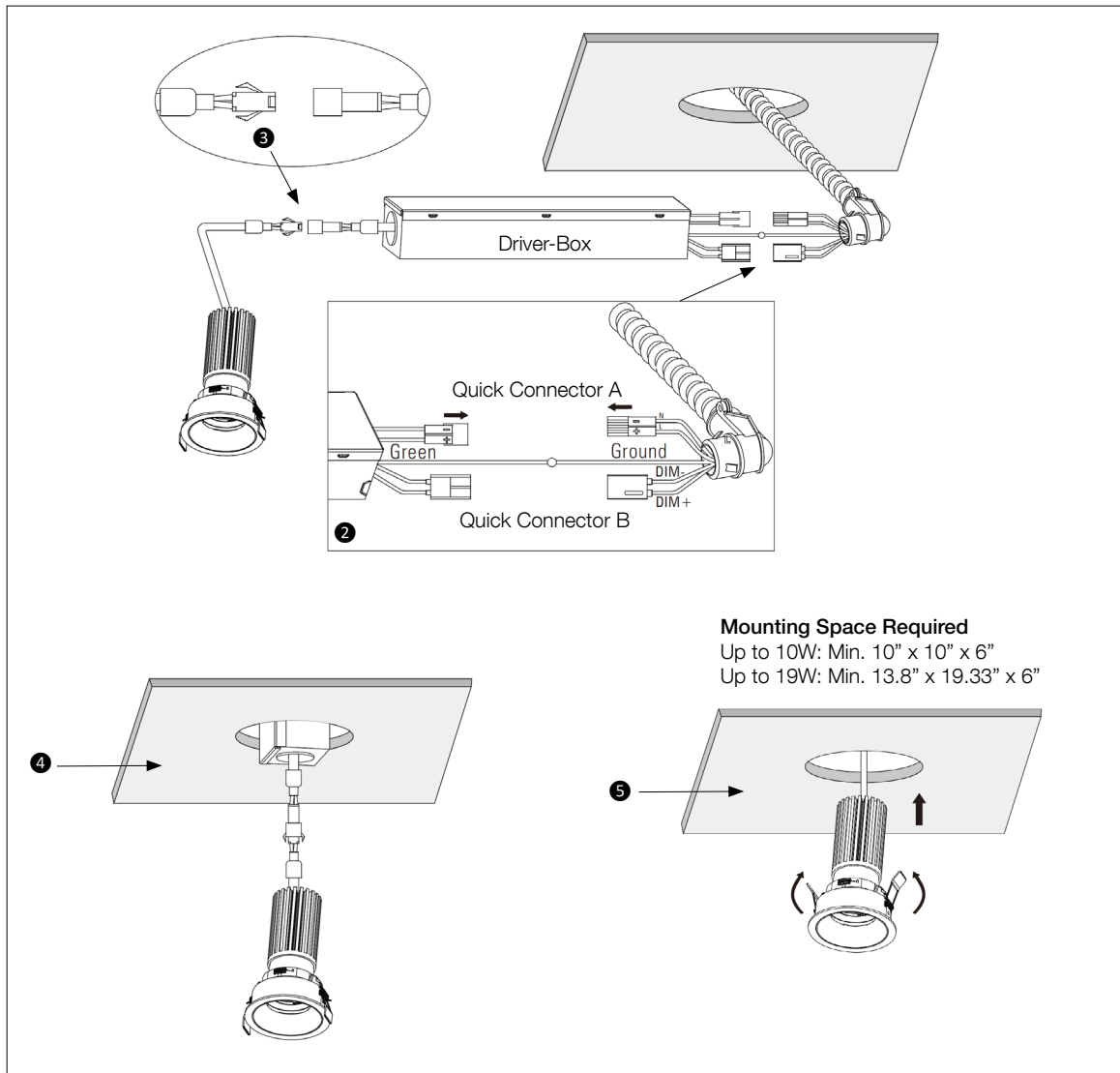
Step 1: Drill hole in the ceiling. A round $\varnothing 3.60"$ hole needed for Helios 3" Round Trimless; $3.60" \times 3.60"$ square hole for Helios 3" Square Trimless.

Step 2: Plug AC power cord into the quick connector A. (Only if the driver has 0-10V dimming, the quick connector B needs to be connected.) Plug the male connector with the female connector. Connect the ground wire **2**. For **Trimless** installation, refer to **Diagram B** (page 12).

Step 3: Connect LED downlight with housing using provided quick-connectors **3**.

Step 4: The driver box is fixed to the ceiling by magnetic force of a magnet **4**.

Step 5: Complete installation by carefully tighten the spring clips through the ceiling opening **5**.



HELIOS SERIES | 3" TRIMLESS RECESSED

INSTALLATION

Trimless Mounting

Step 1: Secure the outer ring to the ceiling with screws.

Step 2: Rotate the inner ring to set the desired height. Use a screwdriver to tighten the screws on both sides (Clockwise) to fix the inner ring in place.

Step 3: Install the dust cover and apply plaster for a seamless finish.

Diagram B

