

Direct

**Product Features**

Revolve Series 86 - Ring shaped versatile architectural luminaire housing from rolled aluminum extruded profile, seamlessly welded; available with standard matte Black, White, Silver or custom RAL finish; available with steel cable suspension system through surface canopy or direct ceiling mount; power supply unit to be installed in canopy or remote; entire luminaire homogeneously illuminated, single ring shaped frosted PMMA lens; soft direct / indirect illumination characteristic for general illumination and maximum visual comfort; SAMSUNG LED with above 90CRI; available in 2700K, 3000K, 3500K, and 4000K; 85% of luminous flux after 50000 hours; ETL damp location listed; universal power supply with 0-10v dimming capability.

**Technical Specifications**

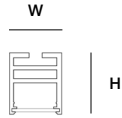
INPUT VOLTAGE	Universal Input AC120-277V
FREQUENCY	50/60hz
COLOR TEMPERATURE	2700K, 3000K, 3500K, 4000K
COLOR RENDERING INDEX	90
DISTRIBUTION	Direct
IP RATING	Damp Location
LIFE SPAN	50,000 Hours
DIMMING	0-10V Dimming





**DIMENSIONS**

**Direct**



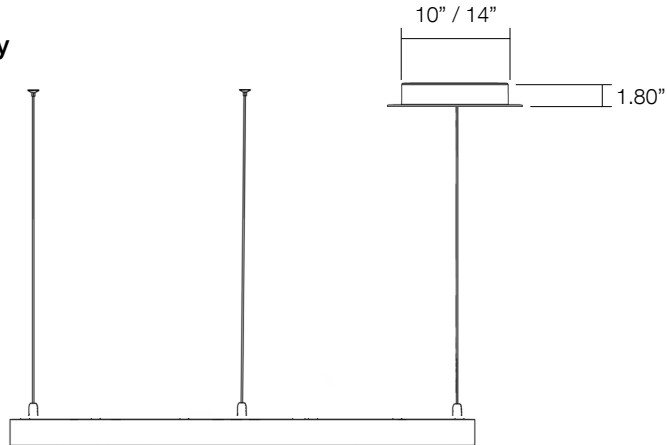
FIXTURE MODEL	DIMENSION	MOUNTING CANOPY OPTION
RV-86-D2	D24" x W1.3" x H1.5"	CM-10", CM2-11", QM, SM
RV-86-D3	D36" x W1.3" x H1.5"	CM-10", CM2-11", QM, SM
RV-86-D4	D48" x W1.3" x H1.5"	CM-10", CM2-11", QM, SM
RV-86-D5	D60" x W1.3" x H1.5"	CM-14", CM2-14", QM, SM

D = Outer Diameter

**MOUNTING OPTIONS**

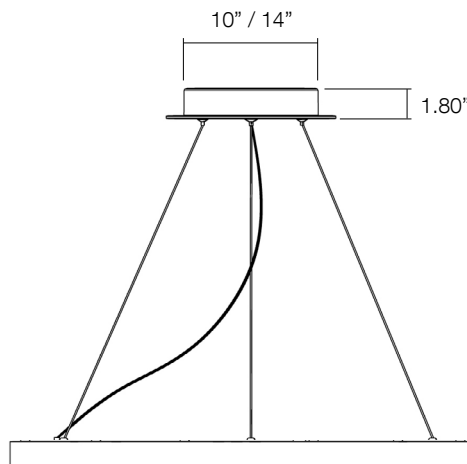
**QM - Quick Mount w/Surface Mount Canopy**

FIXTURE	CANOPY SIZE
RV-86-D2	10"
RV-86-D3	10"
RV-86-D4	10"
RV-86-D5	14"



**CM - Canopy Mount**

FIXTURE	CANOPY SIZE
RV-86-D2	10"
RV-86-D3	10"
RV-86-D4	10"
RV-86-D5	14"



**REVOLVE SERIES | RV-86**

**COLOR CHART** (CHOOSE ONE)

**CC**  
**RAL**

Specify Color Code:  
Specify RAL Color:



GR - Green



BL - Blue



PP - Purple



PK - Pink



RD - Red



OG - Orange



YW - Yellow



MB - Matte Black



GB - Gloss Black



MW - Matte White



GW - Gloss White



OB - Oil Rubbed Bronze



GZ - Gloss Bronze



MS - Matte Silver



MBS - Matte Brass



GBS - Gloss Brass



CNH285 - American Walnut



QL0928 - European Cherry



QL0503 - Light Oak



QL0411 - Maple



QL0908 - Palisander Santos