



Product Features

LUX Series LX3.8 architectural linear luminaire housing from 3.8" wide aluminum extruded profile, available in 2, 3, 4 and 8-Ft length with White, Black finish; integral driver, frosted polycarbonate lens; emits even soft direct facing light for general illumination; >80CRI LED; field selectable CCT in 3000K / 3500K / 4000K; 85% of luminous flux after 50,000 hours; cULus damp location listed; universal input 120-277V power supply with 0-10V dimming capability down to 10%.

Technical Specifications

INPUT VOLTAGE	Universal Input AC120-277V
FREQUENCY	50/60hz
COLOR TEMPERATURE	Field Selectable 3000K / 3500K / 4000K
COLOR RENDERING INDEX	>80
DISTRIBUTION	Direct, Field Selectable Output
IP RATING	Damp Location
LIFE SPAN	>50,000 Hours
DIMMING	0-10V Dimming



LUX SERIES | LX3.8 SURFACE / RECESSED

SUBMITTAL WORKSHEET

Order Code Example: **LX3.8 - L2 - SC - blank - WH - LX3.8-CON - EMB-18W-B**
 A B C D E F F

A SERIES (CHOOSE ONE)

LX3.8 LUX Series 3.8" Profile Architectural Linear

B SIZE & OUTPUT (CHOOSE ONE)

CODE		DISTRIBUTION	POWER & LUMEN FIELD SELECTABLE
L2	QS	Direct	10W / 15W / 20W
L3	QS	Direct	15W / 23W / 30W
L4	QS	Direct	20W / 30W / 40W
L8	QS	Direct	40W / 60W / 80W

C CCT (CHOOSE ONE)

SC **QS** Field Selectable 3000K / 3500K / 4000K

D MOUNTING

blank **QS** Surface Mount (no additional mounting hardware required)
 For Recessed Mount, please pick a mounting kit under **OPTIONS** below.

E FINISH (CHOOSE ONE)

BK **QS** Black
WH **QS** White

F OPTIONS

blank		Integral driver 120~277V 0-10V Dimming
BAA		Assembled in America, compliant with BAA (COTS)
LX3.8-CON	QS	LUX 3.8" Profile Line Joiner (metal bracket)
LX3.8-CON-L	QS	LUX 3.8" Profile "L" 90DEG Illuminated Corner
LX3.8-REC-DWTRIM	QS	LUX 3.8" Profile Recessed Mount Trim Kit for Drywall Ceiling (use 1 set per fixture)
LX3.8-REC-DWBRACKET	QS	LUX 3.8" Profile Recessed Mount Bracket Kit for Drywall Ceiling (use 1 set per fixture)
LX3.8-REC-916F**	QS	LUX 3.8" Profile Recessed Mount T-Grid Clip for 9/16" Flat (use 1 set per fixture)
LX3.8-REC-1516F**	QS	LUX 3.8" Profile Recessed Mount T-Grid Clip for 15/16" Flat (use 1 set per fixture)
LX3.8-REC-916S**	QS	LUX 3.8" Profile Recessed Mount T-Grid Clip for 9/16" Slot (use 1 set per fixture)
T-BAR**	QS	4" Octagon Box Included, Adjustable T-Bar Clip Suitable for 9/16" Flat, 9/16" Slot, 15/16" Flat T-Bar Grid Spec
LENS-LX3.8-42FT	QS	LUX 3.8" 42FT Continuous Rolling Lens
EMB-8W-B*	QS	Integral 90-Minute Self-Diagnostic Emergency Battery 8W 100-347VAC Input 170VDC Output (For 4FT and 8FT models only)
EMB-18W-B*	QS	Integral 90-Minute Self-Diagnostic Emergency Battery 18W 100-347VAC Input 170VDC Output (For 4FT and 8FT models only)

*see page 5 for EMB spec

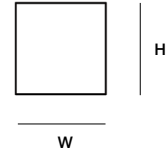
**see page 6 for detail

LUX SERIES | LX3.8 SURFACE / RECESSED

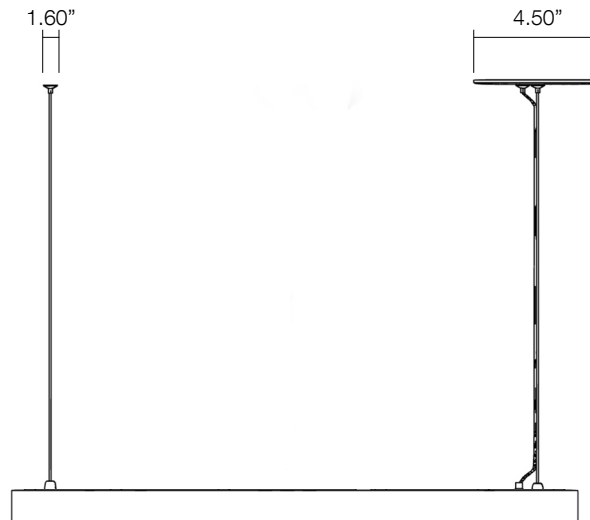
DIMENSIONS

Cross Section

SERIES & SIZE	DIMENSION	Section
LX3.8-L2	L23.70" x W3.74" x H3.74"	1
LX3.8-L3	L35.71" x W3.74" x H3.74"	1
LX3.8-L4	L47.72" x W3.74" x H3.74"	1
LX3.8-L8	L95.24" x W3.74" x H3.74"	1



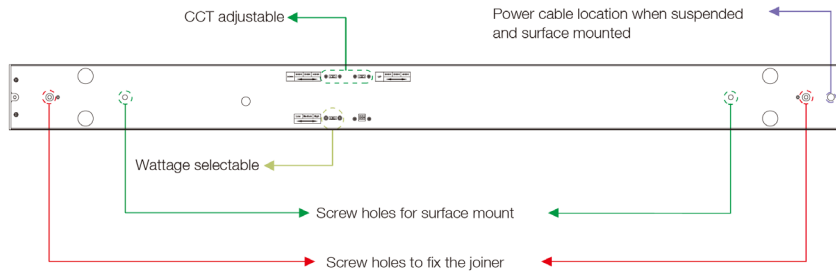
Quick Mount



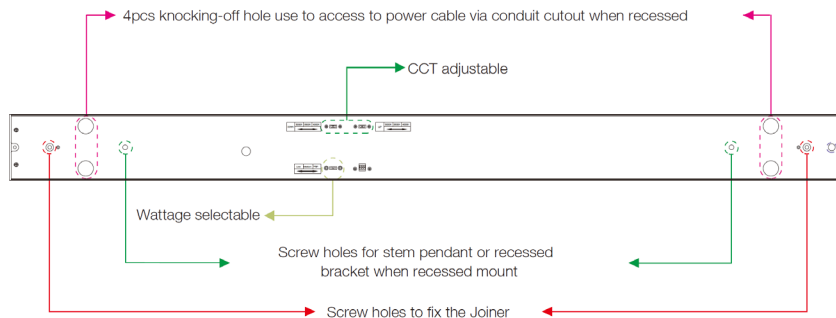
LUX SERIES | LX3.8 SURFACE / RECESSED

Dimensions

LX3.8 Surface Mount Profile



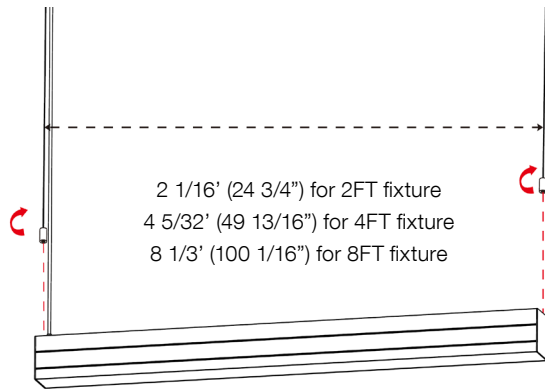
LX3.8 Recessed Profile



LUX SERIES | LX3.8 SURFACE / RECESSED

INSTALLATION

QUICK MOUNT PART# QM / QM12

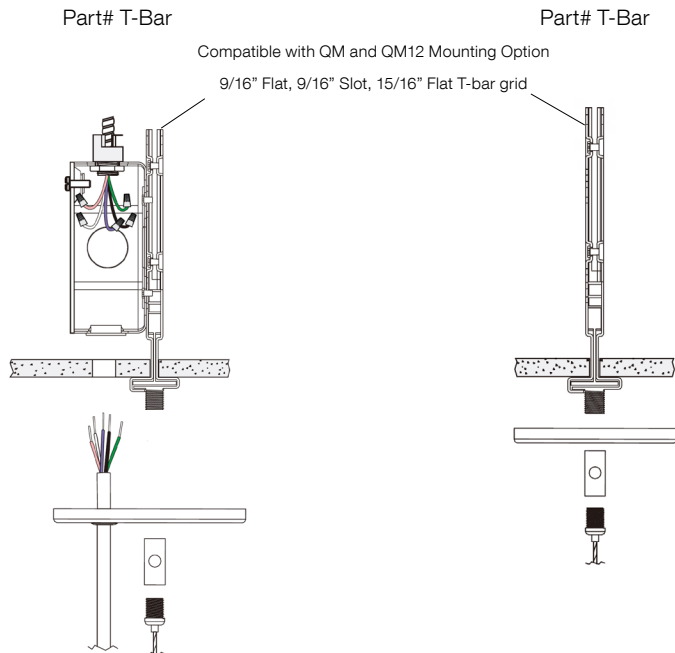


1: Install suspension by rotating adapter clockwise to the top of the fixture.



2: Use cable tie to keep the power feed wire in place next to the suspension cable.

T-GRID INSTALL PART# QM-T-BAR / QM12-T-BAR

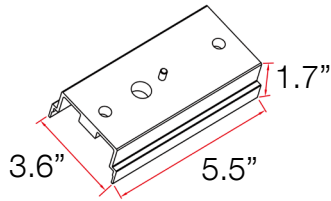


Adjustable T-Bar Clip with 4" Octagon Box
Attachment for (1) Suspension Point

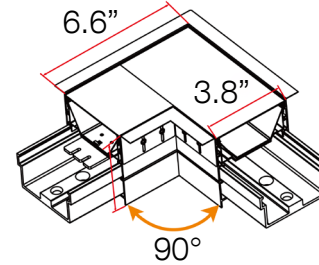
Adjustable T-Bar Clip for 1.6-inch Mounting Plate
Attachment for (1) Suspension Point

LUX SERIES | LX3.8 SURFACE / RECESSED

CONNECTOR DIMENSIONS



LX3.8-CON
LUX 3.8" Profile Line Joiner (metal bracket)

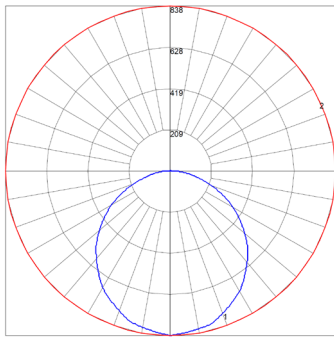


LX3.8-CON-L
LUX 3.8" Profile "L" 90DEG Illuminated Corner

PHOTOMETRIC

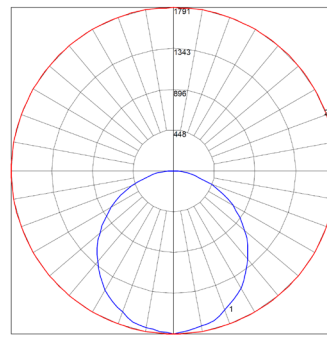
IES: LX3.8-L2SC @ 4000K 20.8W

IES: LX3.8-L4SC @ 4000K 43W



Zone	Lumen	Luminaire%
0-30	640	27.70
0-40	1044	45.30
0-60	1832	79.40
0-90	2307	100
0-180	2307	100

Lumen: 2307
Input Watts: 20.8 W
Efficacy: 111 LPW
UGR: 23.8



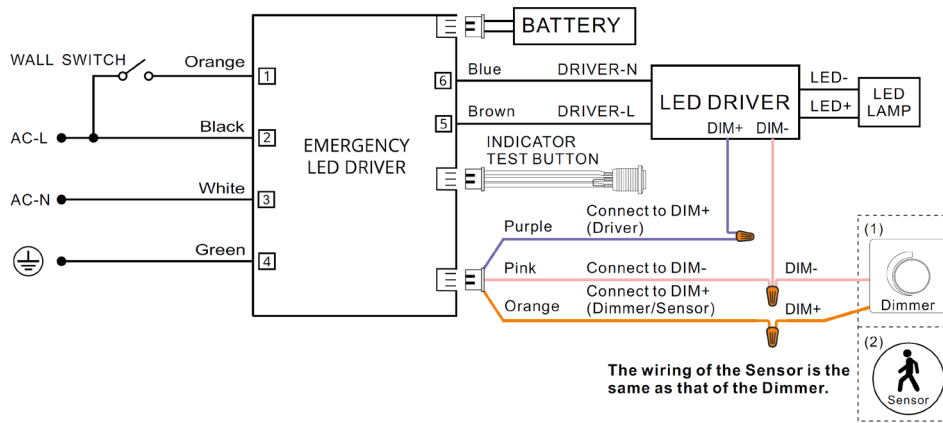
Zone	Lumen	Luminaire%
0-30	1372	28.00
0-40	2240	45.70
0-60	3912	79.80
0-90	4901	100
0-180	4901	100

Lumen: 4901
Input Watts: 43 W
Efficacy: 114 LPW
UGR: 23.4

LUX SERIES | LX3.8 SURFACE / RECESSED

EMB SPEC

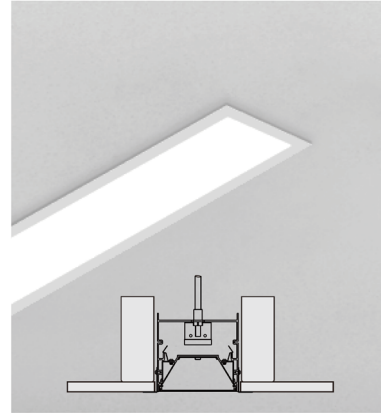
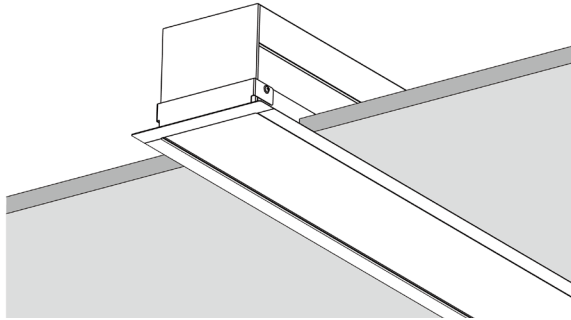
Model	Battery Capacity	Input	Output	Output Power	Operating Temp	Installation
EMB-8W-B	90mins	100-347VAC	170VDC	8W	0°C ~ 50°C 32°F ~ 122°F	Factory or Field Install
EMB-18W-B	90mins	100-347VAC	170VDC	18W	0°C ~ 50°C 32°F ~ 122°F	Factory or Field Install



LUX SERIES | LX3.8 SURFACE / RECESSED

INSTALLATION

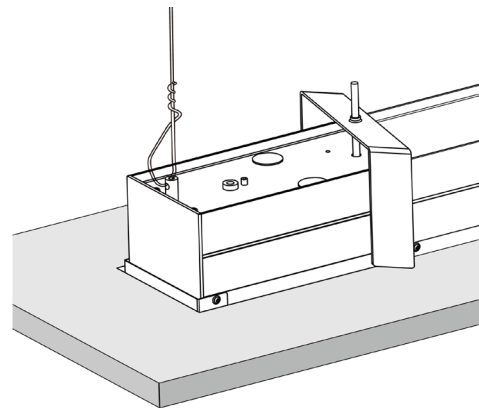
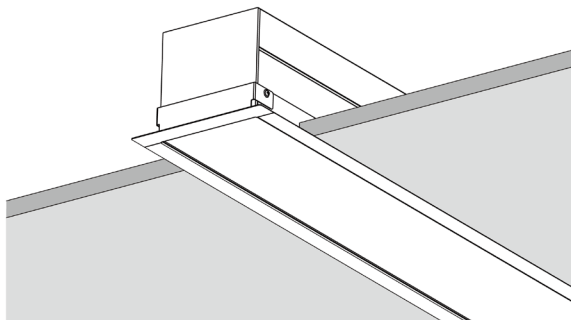
RECESSED MOUNT - SECURE BY STEM (STEM BY OTHERS)



Mounting Kit - **LX3.8-REC-DWTRIM** (use 1 set per fixture)



RECESSED MOUNT - SECURE BY BRACKET



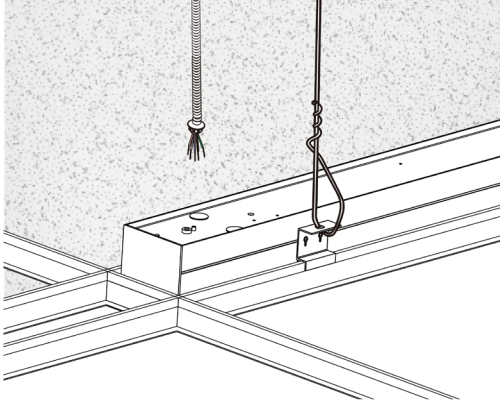
Mounting Kit - **LX3.8-REC-DWBRACKET** (use 1 set per fixture)



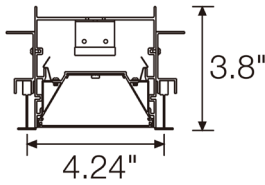
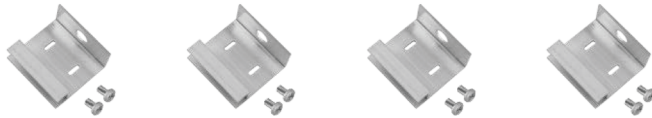
LUX SERIES | LX3.8 SURFACE / RECESSED

INSTALLATION

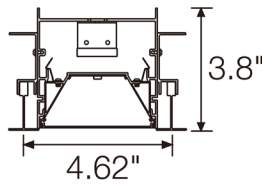
RECESSED MOUNT - SECURE ON T-GRID SYSTEM



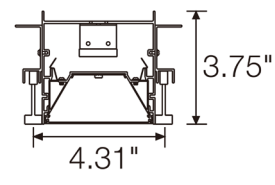
Mounting Kit - **LX3.8-REC-916F** / **LX3.8-REC-1516F** / **LX3.8-REC-916S** (use 1 set per fixture)



LX3.8-REC-916F
9/16" Flat Grid



LX3.8-REC-1516F
15/16" Flat Grid



LX3.8-REC-916S
9/16" Slot Grid