

Wall Mount



Ceiling Mount

Product Features

LUMI BLADE Series - Surface Mount version - modern architectural luminaire, ultra-thin transparent optics panel, enveloped in a signature “I-beam” shaped frame. Edgelit illumination creates the “floating” effect. Housing from aluminum extruded profile; available with standard matte White finish; surface mount suitable for Wall or Ceiling; 90CRI; field selectable CCT 3000K ~ 4000K; 88% of luminous flux after 50000 hours; cULus damp location listed; universal power supply 0-10v dimming capability.

Technical Specifications

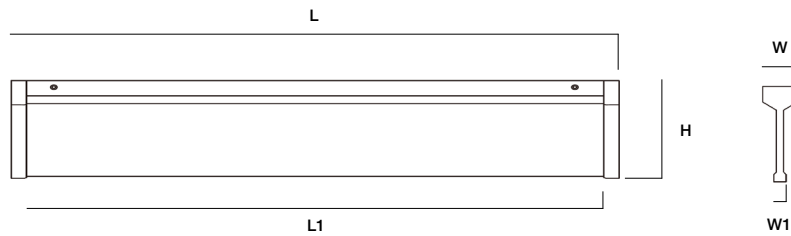
INPUT VOLTAGE	Universal Input AC120-277V
FREQUENCY	50/60hz
LUMEN	2028 - 4026LM
WATTAGE	20 - 40W
LPW	95 - 102
COLOR TEMPERATURE	Field Selectable CCT 3000K, 3500K, 4000K
COLOR RENDERING INDEX	90+
DISTRIBUTION	Edgelit - Asymmetric distribution
IP RATING	Damp Location
LIFE SPAN	>50,000 Hours
DIMMING	0-10v Dimming



LUMI BLADE SERIES | SURFACE MOUNT

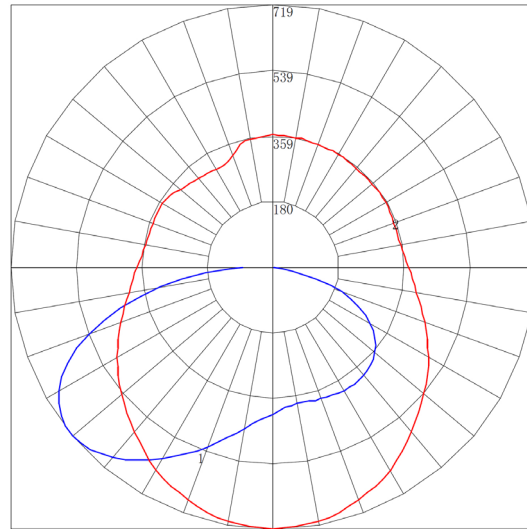
DIMENSIONS

SIZE	DIMENSION				
	L	L1	W	W1	H
L2	23.64"	22.46"	1.59"	0.57"	5.34"
L3	35.46"	34.28"	1.59"	0.57"	5.34"
L4	47.28"	46.10"	1.59"	0.57"	5.34"



PERFORMANCE

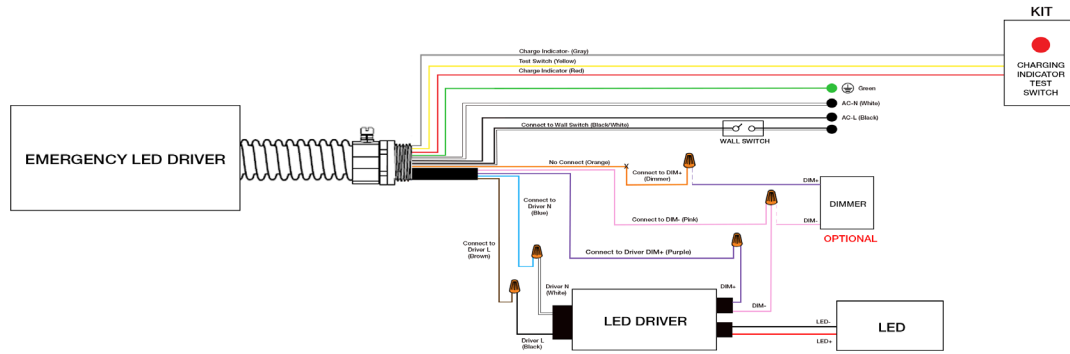
Maximum Candela = 718.64 Located At Horizontal Angle = 270, Vertical Angle = 50
 # 1 - Vertical Plane Through Horizontal Angles (270 - 90) (Through Max. Cd.)
 # 2 - Horizontal Cone Through Vertical Angle (50) (Through Max. Cd.)



LUMI BLADE SERIES | SURFACE MOUNT

EMB SPEC

Model	Battery Capacity	Input	Output	Output Power	Operating Temp	Installation
EMB-H08170	90mins	100-347VAC	170VDC	8W	0°C ~ 50°C 32°F ~ 122°F	Field Install
EMB-H18170	90mins	100-347VAC	170VDC	18W	0°C ~ 50°C 32°F ~ 122°F	Field Install

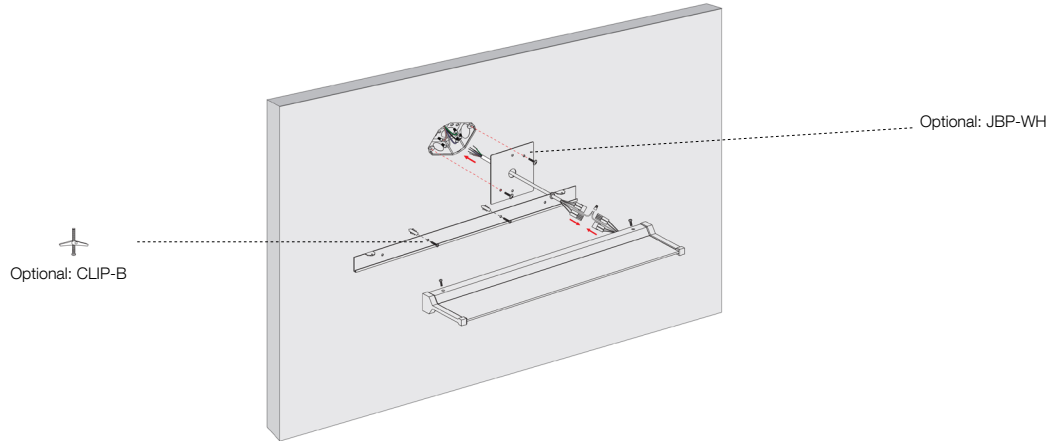


LUMI BLADE SERIES | SURFACE MOUNT

INSTALLATION

Drywall / Hard Surface Install

Part# SM



Surface mount plate suitable for ceiling, wall application
or mounting onto any hard surface
power cord through surface mount plate for wiring to remote J-box

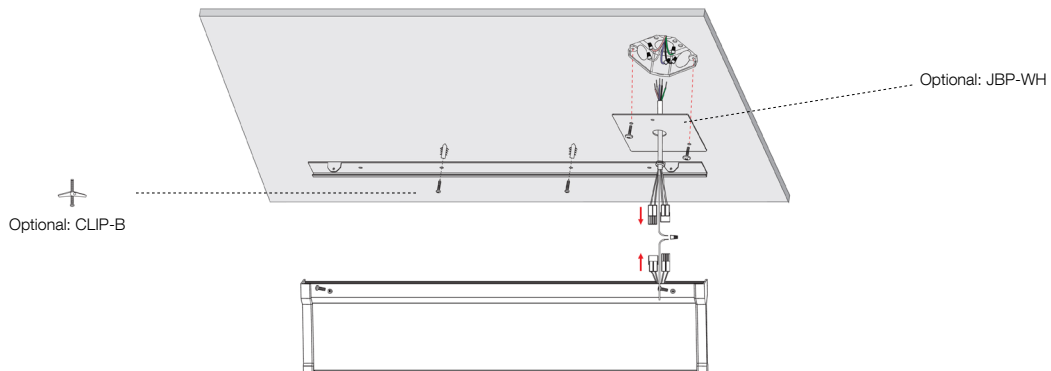
Optional: CLIP-B - Butterfly clip replace anchor

Optional: JBP-WH - Flat J-box Coverplate sold separately

Optional: DROP-5 - 5FT / DROP-6 - 12FT Cord

Drywall Ceiling / Hard Surface Install

Part# SM



Surface mount plate suitable for ceiling, wall application
or mounting onto any hard surface
power cord through surface mount plate for wiring to remote J-box

Optional: CLIP-B - Butterfly clip replace anchor

Optional: JBP-WH - Flat J-box Coverplate sold separately

Optional: DROP-5 - 5FT / DROP-6 - 12FT Cord