

Product Features

Grid Series - Architectural Flat T-Grid Linear fixture completely transform the monotonous grid ceiling into a contemporary lighting application. Luminaire available in 2FT and 4FT section with a width of 9/16" and 15/16", suitable for flat T-Grid application. Luminaire available with 3500K or 4000K CCT, remote driver attached above T-Grid. Made from from aluminum extruded profile; standard milky lens for maximum visual comfort. >80CRI; >50000 hours; IC rated; cULus for damp location, DLC listed; CCEA listed.

Technical Specifications

INPUT VOLTAGE	AC120-277V
FREQUENCY	50/60hz
LUMEN	1300 / 2600
WATTAGE	10 / 20
LPW	117 ~ 130
COLOR TEMPERATURE	3500K, 4000K
COLOR RENDERING INDEX	>80
DISTRIBUTION	120°
IP RATING	Damp Location
LIFE SPAN	>50,000 Hours
DIMMING	0-10v Dimming



GRID SERIES | ARCHITECTURAL FLAT T-GRID LINEAR

SUBMITTAL WORKSHEET

Order Code Example: LUMINAIRE

GD - L2F - 35 - 916ML
 A B C D

Order Code Example: POWER

DRIVER-GD-30 - EMB-H08170
 E F

A SERIES (CHOOSE ONE)

GD Architectural T-Grid Linear
 GD-CCEA Architectural T-Grid Linear - Plenum CCEA Compliant - **Made to Order**

B LIGHT ENGINE (CHOOSE ONE)

CODE	POWER	TYPE	MOUNTING*	LUMEN
L2F QS	10W	2-FT	Flat T-Grid	1,300LM
L4F QS	20W	4-FT	Flat T-Grid	2,600LM

*Interlude Grid Available, Consult Factory

C CCT (CHOOSE ONE)

35 **QS** 3500K
 40 **QS** 4000K

D LENS (CHOOSE ONE)

916ML **QS** 9/16" T-Grid Milky Lens 120° Beam Angle
 1516ML **QS** 15/16" T-Grid Milky Lens 120° Beam Angle

E POWER

DRIVER-GD-30 **QS** 30W Remote Mount 120-277V Input, 0-10V 10% Dimmable Driver (Up to 3 GD-L2 luminaire)
 DRIVER-GD-30-1 **QS** 30W Remote Mount 120-277V Input, 0-10V 1% Dimmable Driver (Up to 3 GD-L2 luminaire)
 DRIVER-GD-60 **QS** 60W Remote Mount 120-277V Input, 0-10V 10% Dimmable Driver (Up to 3 GD-L4 luminaire)
 DRIVER-GD-60-1 **QS** 60W Remote Mount 120-277V Input, 0-10V 1% Dimmable Driver (Up to 3 GD-L4 luminaire)
 CORD-GD-12 **QS** 12FT Extension Cable

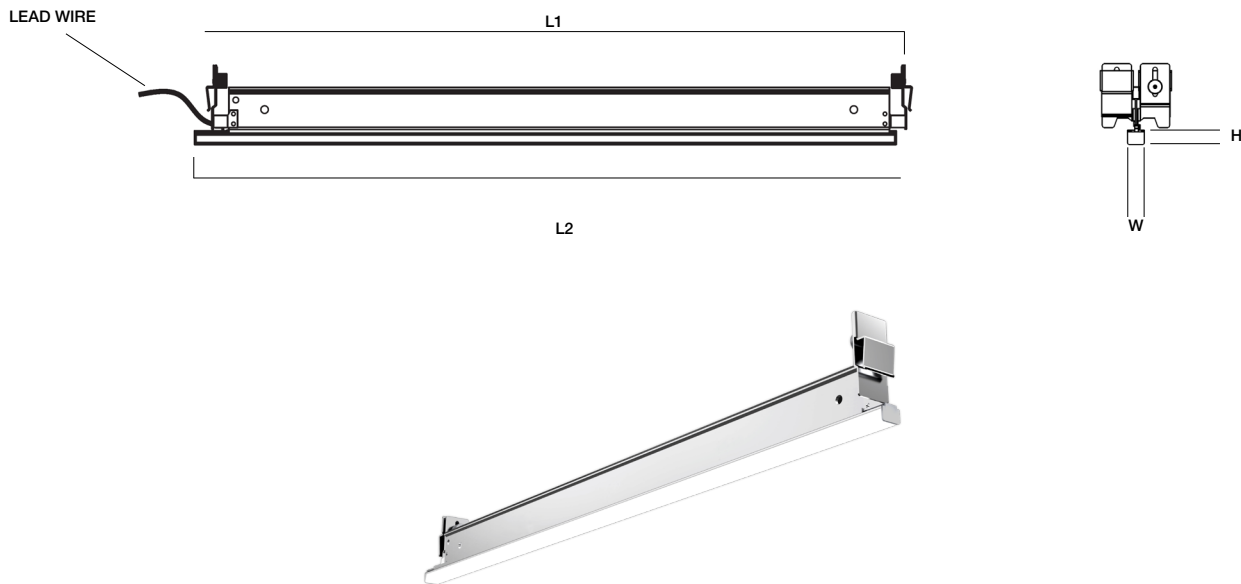
F EMERGENCY BATTERY (CHOOSE ONE)

EMB-H08170 **QS** 90-Minute Self-Diagnostic Emergency Battery 8W 100-347VAC Input 170VDC Output
 EMB-H18170 **QS** 90-Minute Self-Diagnostic Emergency Battery 18W 100-347VAC Input 170VDC Output

GRID SERIES | ARCHITECTURAL FLAT T-GRID LINEAR

DIMENSIONS

LUMINAIRE CODE	L1	L2	W	H	LEAD WIRE
GD-L2F-XX-916ML	23.92"	23.98"	0.56"	0.48"	5FT
GD-L2F-XX-1516ML	23.92"	23.98"	0.95"	0.51"	5FT
GD-L4F-XX-916ML	47.92"	47.98"	0.56"	0.48"	5FT
GD-L4F-XX-1516ML	47.92"	47.98"	0.95"	0.51"	5FT



GD Luminaire Summary

Power: 2FT - 10W, 4FT - 20W

Quality: >80 CRI, 3-step SDCM

CCT: Static 3500K / 4000K

Input: 120~277V, 50/60Hz

Dimming: 0-10V Dimming, continuous dimming to 10% or 1% (depending on driver option)

Dimmer: Tested with Lutron Diva-DVTV, Leviton IP-710-DL

Power Factor: Greater than 0.9

Ambient Operating Temperature: 0C° to 40°C (32°F to 104°F)

Lifetime: 50,000 hours at 70% lumen maintenance

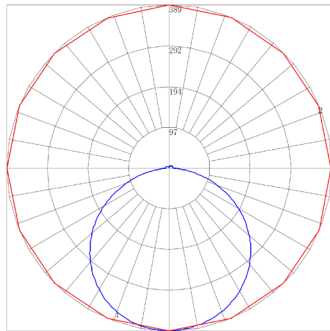
Listing: cULus, DLC, CCEA, IC Rated

GRID SERIES | ARCHITECTURAL FLAT T-GRID LINEAR

PHOTOMETRIC

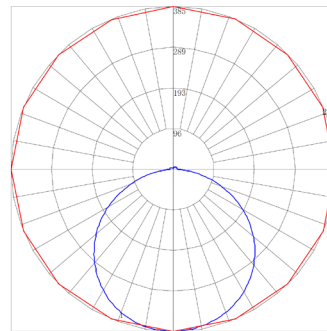
IES: GD-L2-35-916ML @ 10W 3500K

IES: GD-L2-35-1516ML @ 10W 3500K



Zone	Lumen	Luminaire%
0-30	307	24.20
0-40	507	40.00
0-60	914	72.00
0-90	1200	94.60
0-180	1268	100

Lumen: 1268
 Input Watts: 10.89 W
 Efficacy: 117 LPW
 UGR: 29.7

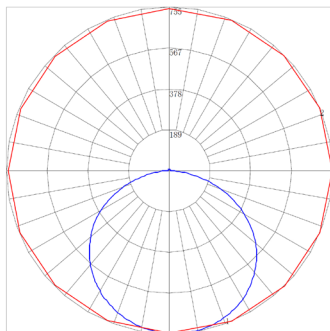


Zone	Lumen	Luminaire%
0-30	305	24.20
0-40	503	40.00
0-60	906	72.00
0-90	1190	94.60
0-180	1258	100

Lumen: 1258
 Input Watts: 9.8 W
 Efficacy: 128 LPW
 UGR: 29.7

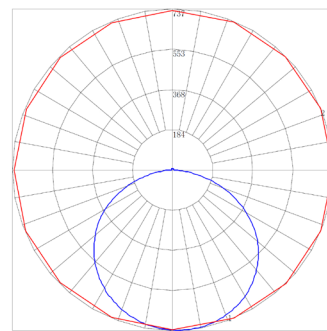
IES: GD-L4-35-916ML @ 20W 3500K

IES: GD-L4-35-1516ML @ 20W 3500K



Zone	Lumen	Luminaire%
0-30	600	23.10
0-40	998	38.40
0-60	1825	70.20
0-90	2443	94.00
0-180	2598	100

Lumen: 2598
 Input Watts: 19.7 W
 Efficacy: 132 LPW
 UGR: 30.9



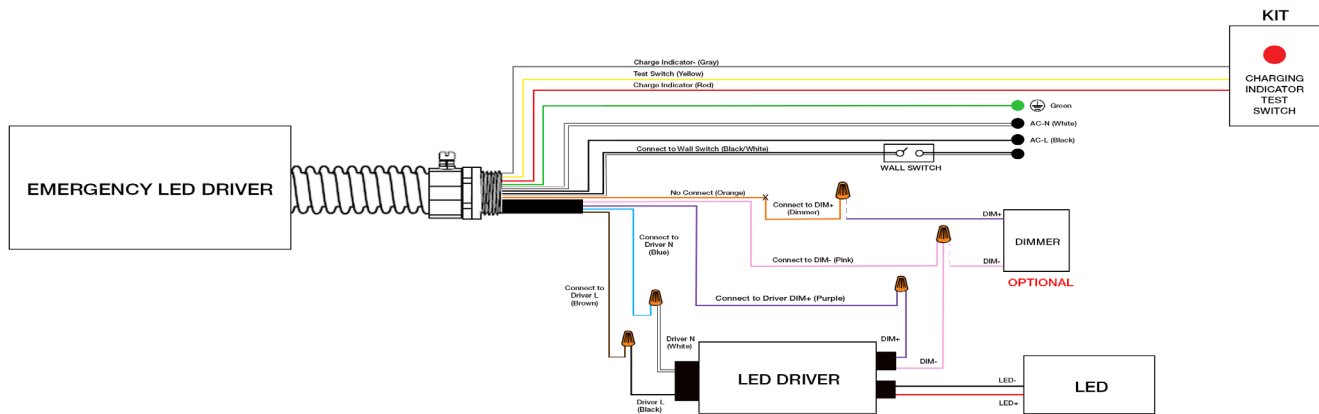
Zone	Lumen	Luminaire%
0-30	585	23.10
0-40	973	38.40
0-60	1779	70.20
0-90	2382	94.00
0-180	2533	100

Lumen: 2533
 Input Watts: 19.7 W
 Efficacy: 128 LPW
 UGR: 30.8

GRID SERIES | ARCHITECTURAL FLAT T-GRID LINEAR

EMB SPEC

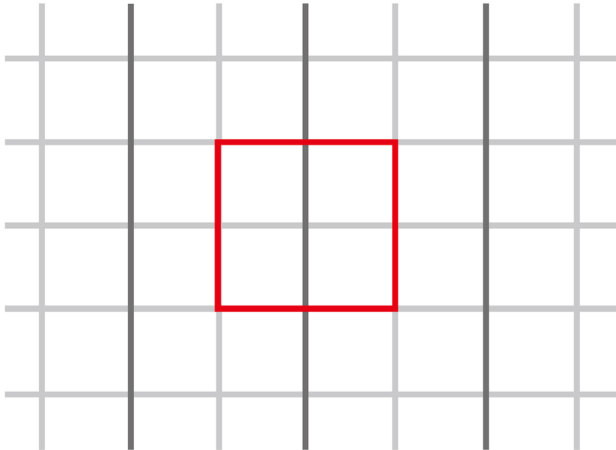
Model	Battery Capacity	Input	Output	Output Power	Operating Temp	Installation
EMB-H08170	90mins	100-347VAC	170VDC	8W	0°C ~ 50°C 32°F ~ 122°F	Field Install
EMB-H18170	90mins	100-347VAC	170VDC	18W	0°C ~ 50°C 32°F ~ 122°F	Field Install



GRID SERIES | ARCHITECTURAL FLAT T-GRID LINEAR

INSTALLATION

The "□" shape installation steps:

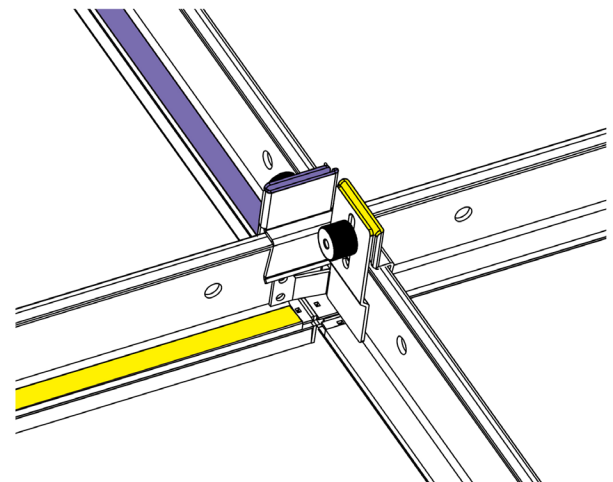
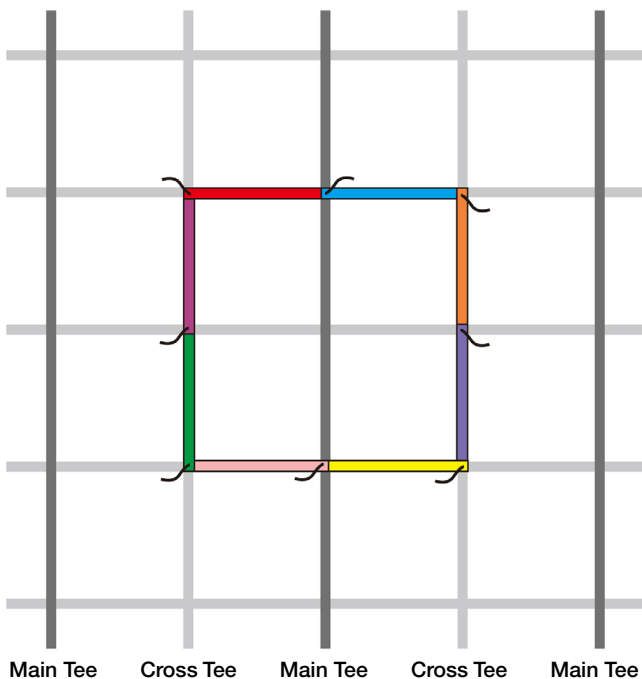


- Examples of configurations
- Possible positions for T-grid LED light modules
- One-piece main runner cannot be replaced



Remove cross tee from the drop ceiling according to desired shape
DO NOT replace Main Tee
 Adjacent T-grid must be secured via ceiling suspension

A-Point with Lead Wire
B-Point is slight shorter than the luminaire bracket



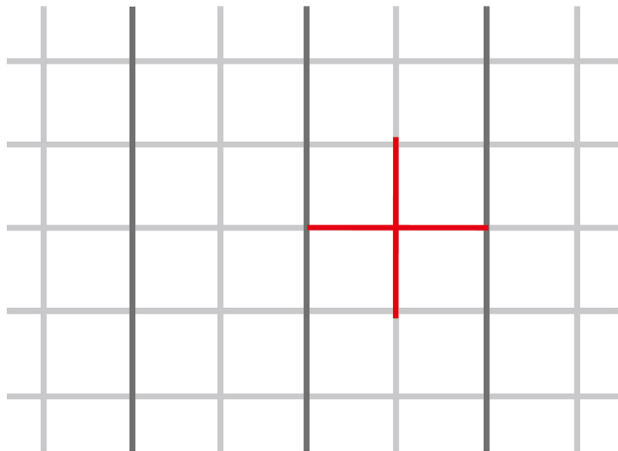
Install sequence: A - B - A - B (as shown)
 Minimum Grid Layout: 4FT x 4FT

Properly adjust luminaire fitting, then tighten lock screws (both ends)

GRID SERIES | ARCHITECTURAL FLAT T-GRID LINEAR

INSTALLATION

The " + " shape installation steps:

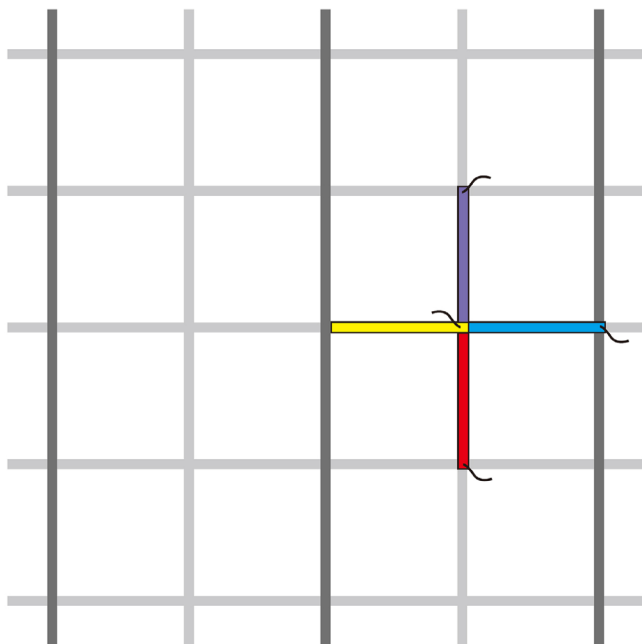


- Examples of configurations
- Possible positions for T-grid LED light modules
- One-piece main runner cannot be replaced

Remove cross tee from the drop ceiling according to desired shape

DO NOT replace Main Tee

Adjacent T-grid must be secured via ceiling suspension



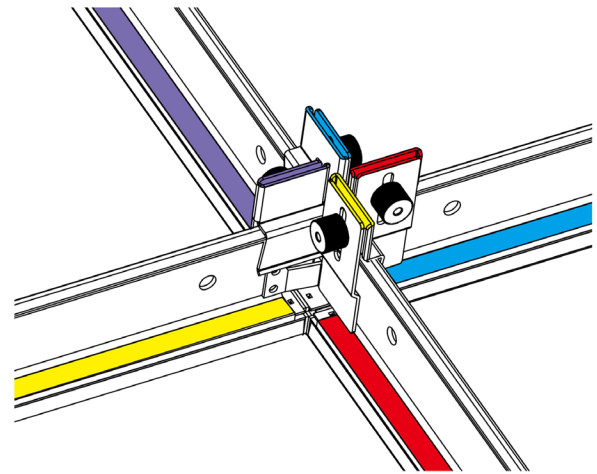
Main Tee Cross Tee Main Tee Cross Tee Main Tee

Install sequence: A - B - A - B (as shown)



A-Point with Lead Wire

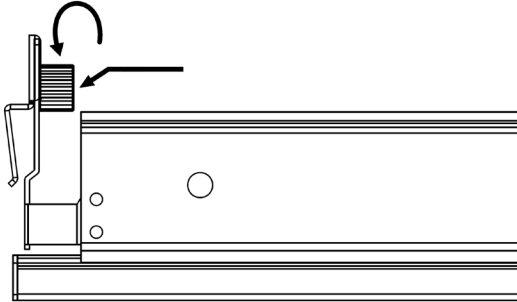
B-Point is slight shorter than the luminaire bracket



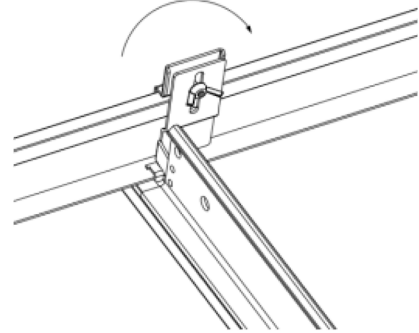
Properly adjust luminaire fitting, then tighten lock screws (both ends)

GRID SERIES | ARCHITECTURAL FLAT T-GRID LINEAR

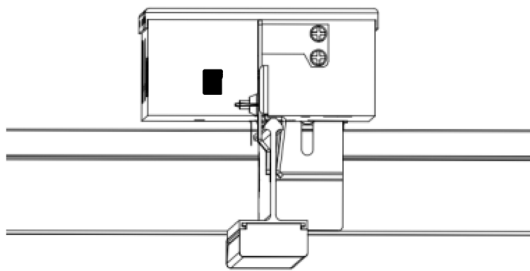
INSTALLATION



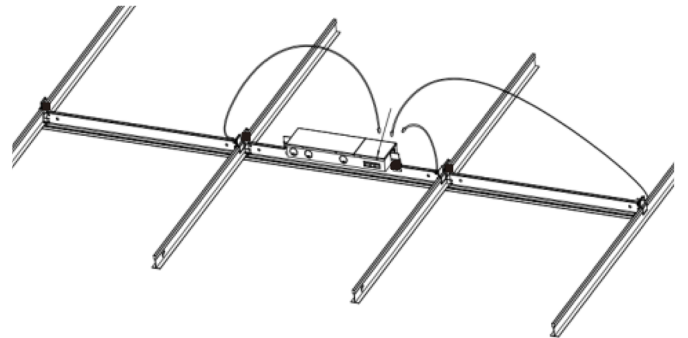
Loosen T-Grid clip locknuts (both ends)



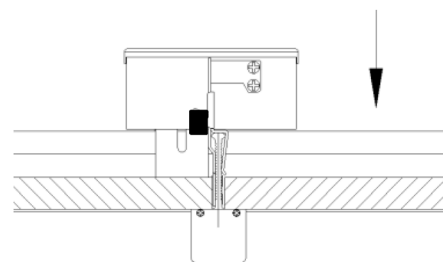
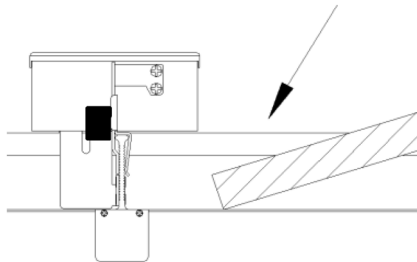
Install luminaire to grid and tighten the locknuts (both ends)



Secure driver enclosure onto T-Grid by tighten locknuts (both ends)



Connect luminaire lead wire by push into RJ45 jack (Max. 3 per driver)



Place ceiling tile to finish installation