



Product Features

Cube Series - an ADA compliant wall sconce architectural luminaire, 3.9-inch fixture offering brilliant illumination with an 80+ CRI and a powerful 10W Bridgelux light engine. Constructed from die-cast aluminum with a frosted tempered glass lens. The luminaire features 0-100° field-adjustable shift boards to create various distribution angles, available in standard corrosion-resistant white and black finishes, CCT selectable range of 2700K to 6500K., 85% luminous flux retention after 50,000 hours, built-in photocell control, ETL listed for wet location, ideal for both residential and commercial applications.

Technical Specifications

| | |
|-----------------------|-----------------------------------|
| INPUT VOLTAGE | AC120-277V |
| FREQUENCY | 50/60hz |
| LUMEN | Direct - 360lm / Indirect - 360lm |
| WATTAGE | 10W |
| LPW | 72lm/W |
| COLOR TEMPERATURE | Field Selectable 2700K ~ 6500K |
| COLOR RENDERING INDEX | >80 |
| DISTRIBUTION | Direct / Indirect |
| IP RATING | IP65 Wet Location |
| LIFE SPAN | >50,000 Hours |



CUBE SERIES | CB

SUBMITTAL WORKSHEET

Order Code Example: **CB** - **4** - **SC** - **WM** - **BK** - **U-P** - **OPTIONS**
 A **B** **C** **D** **E** **F** **G**

A SERIES

CB Cube Series

B SIZE & OUTPUT

| CODE | DISTRIBUTION | POWER & LUMEN | LPW | DIMENSION |
|--------------------|-------------------|---------------|-----|--------------------------|
| 4 QS | Direct / Indirect | 10W 720lm | 72 | L3.94" x W3.94" x H3.94" |

C CCT

SC **QS** Field Selectable 2700K / 3000K / 4000K / 5000K / 6500K

D MOUNTING

WM **QS** Wall Mount

E FINISH

| | | | |
|---------------------|-------------|------------|---------------------------------------|
| WH QS | Matte White | CC* | Customized Color |
| BK QS | Matte Black | | *see Customized Color Chart on page 4 |

F INPUT

U-P **QS** 120-277V with Built in Photocell

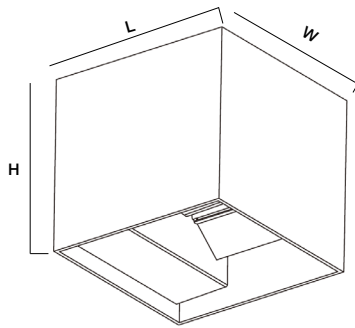
G OPTIONS

BAA Assembled in America, compliant with BAA (COTS)

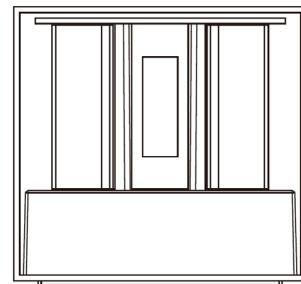
CUBE SERIES | CB

DIMENSIONS

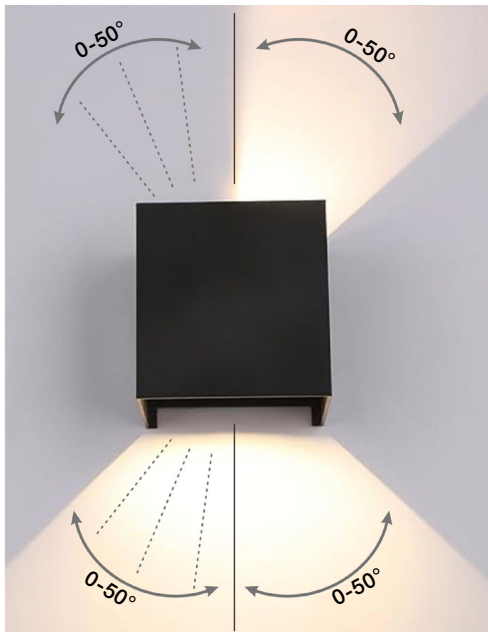
| CODE | DIMENSION | | |
|------|-----------|-------|-------|
| | L | W | H |
| CB-4 | 3.94" | 3.94" | 3.94" |



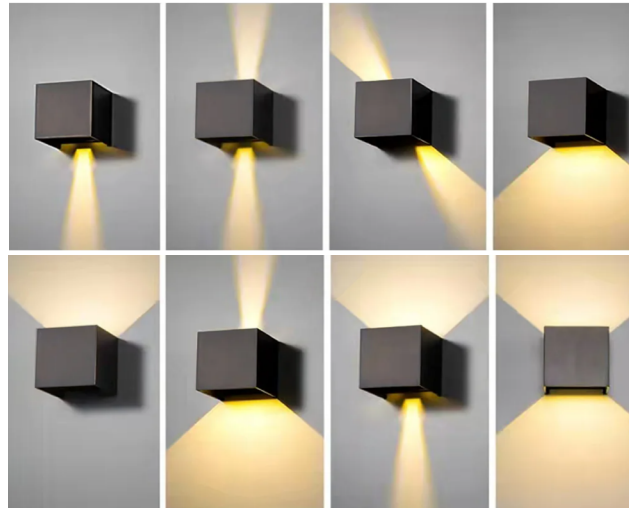
Bottom View



FIELD-ADJUSTABLE BEAM ANGLE



0° Indirect
20° Direct 20° Indirect
20° Direct 50° Indirect
50° Direct 0° Indirect
100° Direct



100° Indirect
0° Direct 20° Indirect
100° Direct 100° Indirect
20° Direct 100° Indirect
100° Direct

CUBE SERIES | CB

COLOR CHART (CHOOSE ONE)

CC
RAL

Specify Color Code:
Specify RAL Color:



GR - Green



BL - Blue



PP - Purple



PK - Pink



RD - Red



OG - Orange



YW - Yellow



MB - Matte Black



GB - Gloss Black



MW - Matte White



GW - Gloss White



OB - Oil Rubbed Bronze



GZ - Gloss Bronze



MS - Matte Silver



MBS - Matte Brass



GBS - Gloss Brass