



Light Engine



Interchangeable Trims

Product Features

Eclipse Series - Maximize flexibility during and after installation with interchangeable light engine and trims. Light engine available with CCT and Output selectable function, integrated driver attached with cylinder shaped IC rated wiring enclosure. Made from from aluminum extruded profile; trims available in 4", 6" and 8" aperture, White finish for downlighting or wall wash application, >90CRI color rendering; 82% of luminous flux after 50000 hours; cULus, Energy Star and damp location listed; universal power supply 0-10V dimming capability.

Technical Specifications

INPUT VOLTAGE	AC120-347V
FREQUENCY	50/60hz
LUMEN	800 - 3200LM
WATTAGE	9 - 38W
LPW	80 - 111
COLOR TEMPERATURE	Field Selectable CCT 3000K, 3500K, 4000K / Field Selectable CCT 3000K, 4000K, 5000K
COLOR RENDERING INDEX	>80
DISTRIBUTION	60° Downlight 70° Wall Wash
IP RATING	Damp Location
LIFE SPAN	>50,000 Hours
DIMMING	0-10V Dimming



ECLIPSE SERIES | RECESSED DOWNLIGHT

SUBMITTAL WORKSHEET

Order Code Example: LIGHT ENGINE

ECL - 2035SC

A B

Order Code Example: TRIM

ECL-4DR-WH

C

Order Code Example: MOUNTING / OPTION

NCR

OPTIONS

D

E

A SERIES (CHOOSE ONE)

ECL Eclipse Recessed Downlight

B LIGHT ENGINE (CHOOSE ONE)

CODE	POWER	CCT
2035SC QS	Field Selectable 10W / 15W / 20W	Field Selectable 3000K / 3500K / 4000K
2050SC QS	Field Selectable 10W / 15W / 20W	Field Selectable 3000K / 4000K / 5000K
4035SC QS	Field Selectable 27W / 34W / 40W	Field Selectable 3000K / 3500K / 4000K

C TRIM (CHOOSE ONE)

ECL-4DR-WH QS	4" Round Aluminum Cone Trim, White Trim Ring
ECL-4DS-WH QS	4" Square Aluminum Cone Trim, White Square Trim
ECL-4WR-WH QS	4" Round Wall Wash, Aluminum Cone Trim, White Trim Ring
ECL-4WS-WH QS	4" Square Wall Wash, Aluminum Cone Trim, White Square Trim
ECL-6DR-WH QS	6" Round Aluminum Cone Trim, White Trim Ring
ECL-6DS-WH QS	6" Square Aluminum Cone Trim, White Square Trim
ECL-6WR-WH QS	6" Round Wall Wash, Aluminum Cone Trim, White Trim Ring
ECL-6WS-WH QS	6" Square Wall Wash, Aluminum Cone Trim, White Square Trim
ECL-8DR-WH QS	8" Round Aluminum Cone Trim, White Trim Ring

D MOUNTING (CHOOSE ONE)

blank	No mounting plate
NCR QS	New construction mounting frame plate for 4", 6", 8" Round trims
NCS QS	New construction mounting frame plate for 4", 6" Square trims
NCR-JB QS	New construction mounting frame plate with J-Box for 4", 6", 8" Round trims
NCS-JB QS	New construction mounting frame plate with J-Box for 4", 6" Square trims

E EMERGENCY BATTERY (CHOOSE ONE)

EMB-H08170 **QS** 8W External EMB EMB-H18170 **QS** 18W External EMB

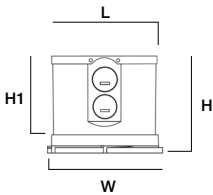
E OPTIONS

BAA Assembled in America, compliant with BAA (COTS)

ECLIPSE SERIES | RECESSED DOWNLIGHT

DIMENSIONS

CODE	DIMENSION			
	L	H	H1	W
ECL-20XXSC	ø 3.60"	3.46"	2.80"	ø 4.14"
ECL-40XXSC	ø 3.60"	4.96"	3.00"	ø 4.14"



ECL-20XXSC

ECL-20XXSC Light Engine Summary

LED Chip: Samsung

Power: 10W / 15W / 20W

Quality: >90 CRI, 3-step SDCM

CCT: 3000/3500/4000K or 3000/4000/5000K

Input: 120~347V, 50/60Hz

Dimming: 0-10V Dimming, continuous dimming to 10%

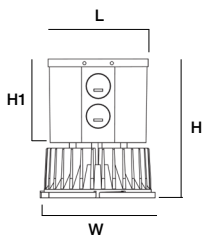
Dimmer: Tested with Lutron Diva-DVTV, Leviton IP-710-DL

Power Factor: Greater than 0.9

Ambient Operating Temperature: -20°C to 40°C

Lifetime: 50,000 hours at 70% lumen maintenance

Listing: cULus, Energy Star qualified, California Title 24 JA8



ECL-40XXSC

ECL-40XXSC Light Engine Summary

LED Chip: Samsung

Power: 27W / 34W / 40W

Quality: >90 CRI, 3-step SDCM

CCT: 3000/3500/4000K

Input: 120~347V, 50/60Hz

Dimming: 0-10V Dimming, continuous dimming to 10%

Dimmer: Tested with Lutron Diva-DVTV, Leviton IP-710-DL

Power Factor: Greater than 0.9

Ambient Operating Temperature: -20°C to 40°C

Lifetime: 50,000 hours at 70% lumen maintenance

Listing: cULus, Energy Star qualified, California Title 24 JA8

ECLIPSE SERIES | RECESSED DOWNLIGHT

LUMEN CHART

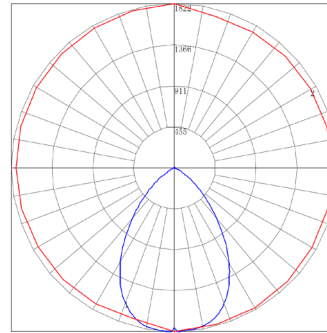
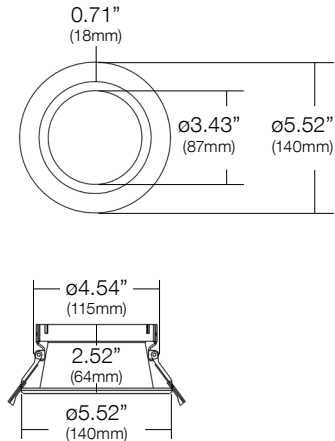
Light engine	Power (w)	3000K CCT		3500K CCT		4000K CCT		5000K CCT	
		Lumens (lm)	Efficacy (lm/w)	Lumens (lm)	Efficacy (lm/w)	Lumens (lm)	Efficacy (lm/w)	Lumens (lm)	Efficacy (lm/w)
2035SC-ECL-8DR	9	864	96	972	108	936	104	-	-
	13	1196	92	1352	104	1300	100	-	-
	19	1558	82	1767	93	1691	89	-	-
2050SC-ECL-8DR	9	864	96	-	-	936	104	936	104
	13	1196	92	-	-	1300	100	1300	100
	19	1558	82	-	-	1691	89	1691	89
4035SC-ECL-8DR	26	2574	99	2886	111	2730	105	-	-
	31	3038	98	3441	111	3224	104	-	-
	38	3496	92	3952	104	3724	98	-	-

ECLIPSE SERIES | RECESSED DOWNLIGHT

DIMENSIONS - 4" ROUND TRIM

4DR-WH - Round 4" Aluminum Cone Trim, White Trim Ring

IES: ECL-4035SC-4DR-WH @ 27W 3500K

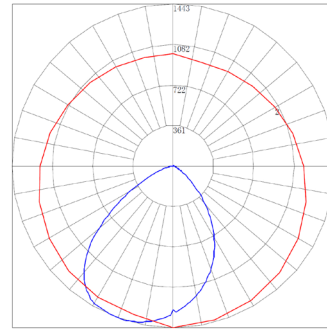
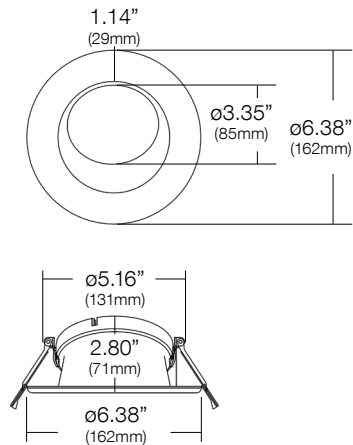


Zone	Lumen	Luminaire%
0-30	1283	51.20
0-40	1881	75.10
0-60	2463	98.40
0-90	2498	99.70
0-180	2509	100

Lumen: 2504
 Input Watts: 27 W
 Efficacy: 93 LPW
 UGR: 21.9
 Spacing: 1.16

4WR-WH - Round 4" Wall Wash, Aluminum Cone Trim, White Trim Ring

IES: ECL-4035SC-4WR-WH @ 27W 3500K



Zone	Lumen	Luminaire%
0-30	975	38.40
0-40	1544	60.80
0-60	2530	92.60
0-90	2532	99.70
0-180	2539	100

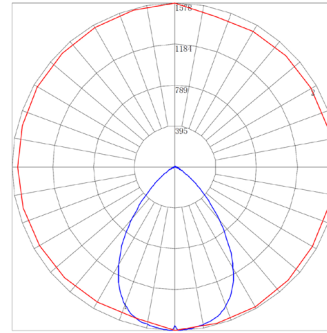
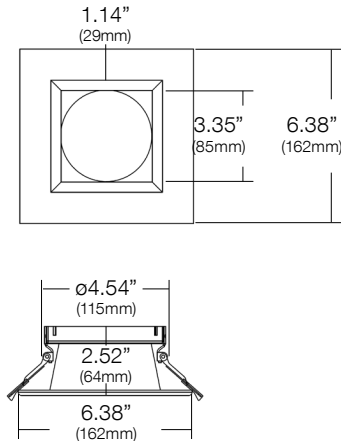
Lumen: 2539
 Input Watts: 27 W
 Efficacy: 94 LPW
 UGR: 27.2
 Spacing: 1.04

ECLIPSE SERIES | RECESSED DOWNLIGHT

DIMENSIONS - 4" SQUARE TRIM

4DS-WH - Square 4" Aluminum Cone Trim, White Trim

IES: ECL-4035SC-4DS-WH @ 27W 3500K

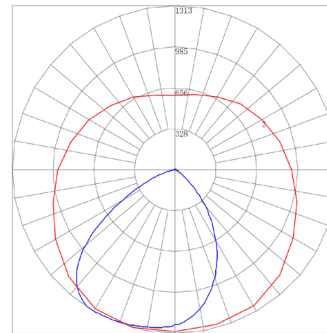
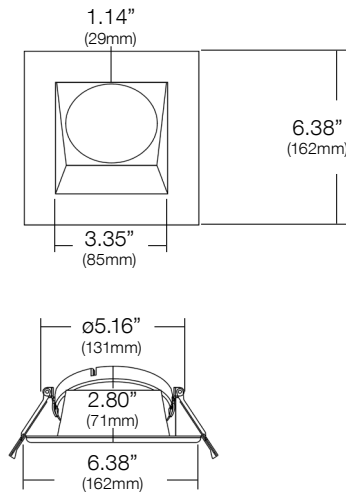


Zone	Lumen	Luminaire%
0-30	1140	49.20
0-40	1712	73.80
0-60	2252	97.10
0-90	2313	99.70
0-180	2319	100

Lumen: 2319
 Input Watts: 27 W
 Efficacy: 86 LPW
 UGR: 21.8
 Spacing: 1.10

4WS-WH - Square 4" Wall Wash, Aluminum Cone Trim, White Trim

IES: ECL-4035SC-4WS-WH @ 27W 3500K



Zone	Lumen	Luminaire%
0-30	941	38.70
0-40	1484	61.00
0-60	2255	92.60
0-90	2427	99.70
0-180	2434	100

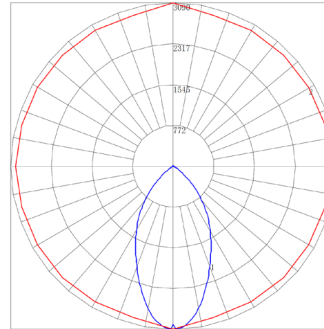
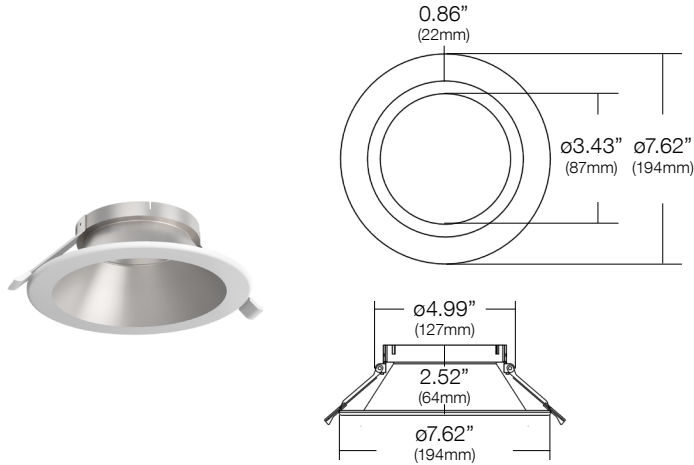
Lumen: 2434
 Input Watts: 27 W
 Efficacy: 90 LPW
 UGR: 27.2
 Spacing: 1.16

ECLIPSE SERIES | RECESSED DOWNLIGHT

DIMENSIONS - 6" ROUND TRIM

6DR-WH - Round 6" Aluminum Cone Trim, White Trim Ring

IES: ECL-4035SC-6DR-WH @ 40W 3500K

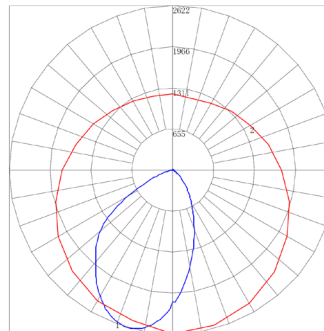
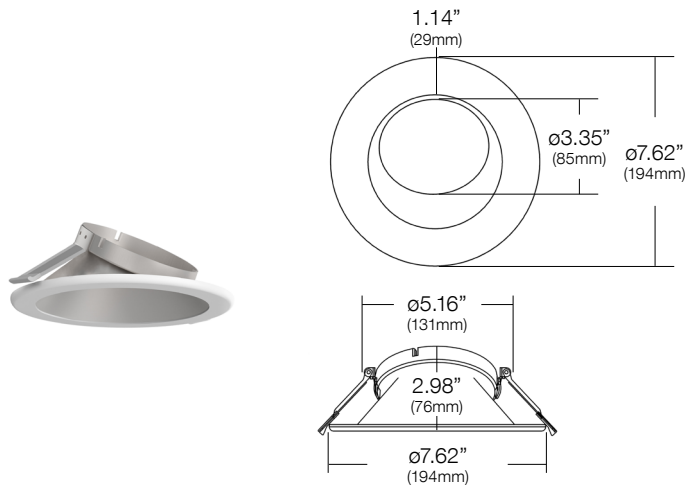


Zone	Lumen	Luminaire%
0-30	1683	54.30
0-40	2388	77.10
0-60	3056	98.70
0-90	3089	99.70
0-180	3098	100

Lumen: 3098
Input Watts: 40 W
Efficacy: 75 LPW
UGR: 19.6
Spacing: 0.82

6WR-WH - Round 6" Wall Wash, Aluminum Cone Trim, White Trim Ring

IES: ECL-4035SC-6WR-WH @ 40W 3500K



Zone	Lumen	Luminaire%
0-30	1405	40.80
0-40	2120	61.60
0-60	3198	92.60
0-90	3435	99.70
0-180	3445	100

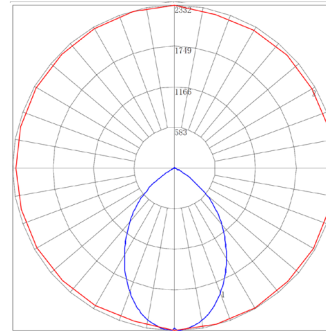
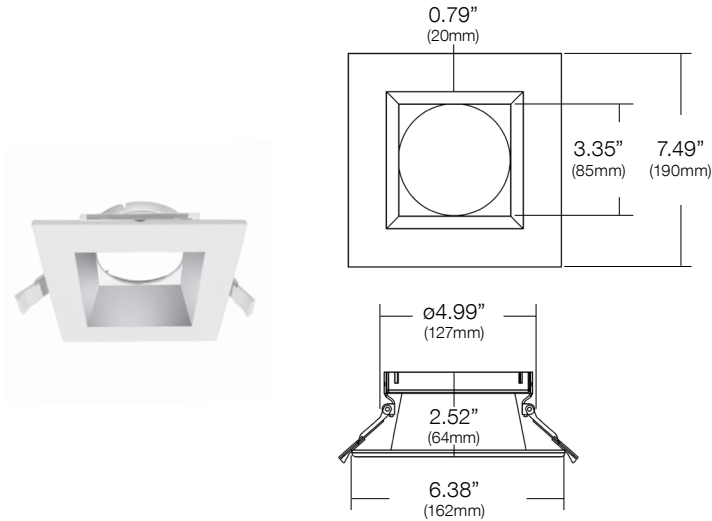
Lumen: 3445
Input Watts: 40 W
Efficacy: 86 LPW
UGR: 25.3
Spacing: 0.94

ECLIPSE SERIES | RECESSED DOWNLIGHT

DIMENSIONS - 6" SQUARE TRIM

6DS-WH - Square 6" Aluminum Cone Trim, White Trim

IES: ECL-4035SC-6DS-WH @ 40W 3500K

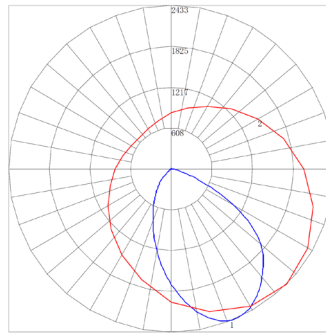
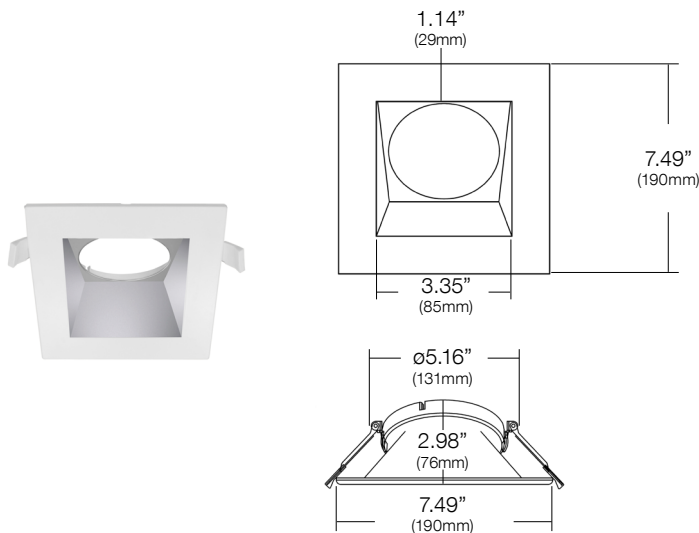


Zone	Lumen	Luminaire%
0-30	1561	48.00
0-40	2329	71.60
0-60	3189	98.00
0-90	3245	99.70
0-180	3255	100

Lumen: 3255
 Input Watts: 40 W
 Efficacy: 81 LPW
 UGR: 21.6
 Spacing: 1.00

6WS-WH - Square 6" Wall Wash, Aluminum Cone Trim, White Trim

IES: ECL-4035SC-6WS-WH @ 40W 3500K



Zone	Lumen	Luminaire%
0-30	1244	37.50
0-40	1934	58.30
0-60	3030	91.30
0-90	3310	99.70
0-180	3320	100

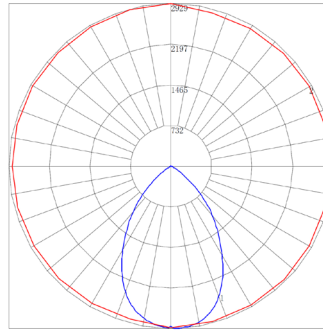
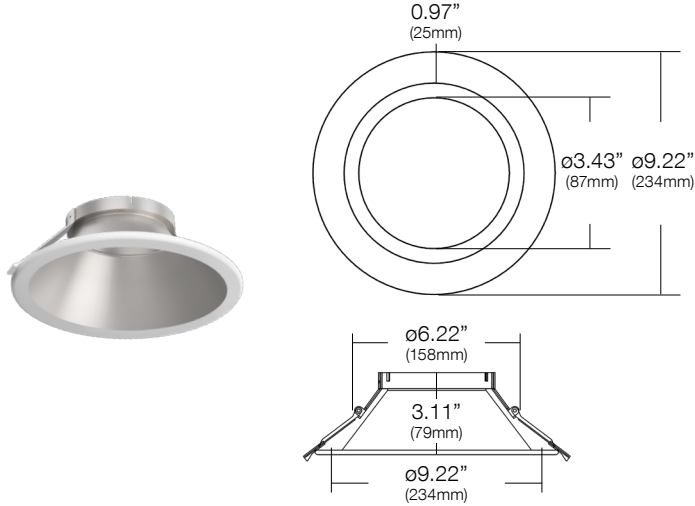
Lumen: 3320
 Input Watts: 40 W
 Efficacy: 93 LPW
 UGR: 31.5
 Spacing: 1.44

ECLIPSE SERIES | RECESSED DOWNLIGHT

DIMENSIONS - 8" ROUND TRIM

8DR-WH - Round 8" Aluminum Cone Trim, White Trim Ring

IES: ECL-4035SC-8DR-WH @ 40W 3500K



Zone	Lumen	Luminaire%
0-30	1984	53.80
0-40	2869	77.80
0-60	3661	99.30
0-90	3676	99.70
0-180	3686	100

Lumen: 3687
 Input Watts: 40 W
 Efficacy: 92 LPW
 UGR: 15.8
 Spacing: 1.0

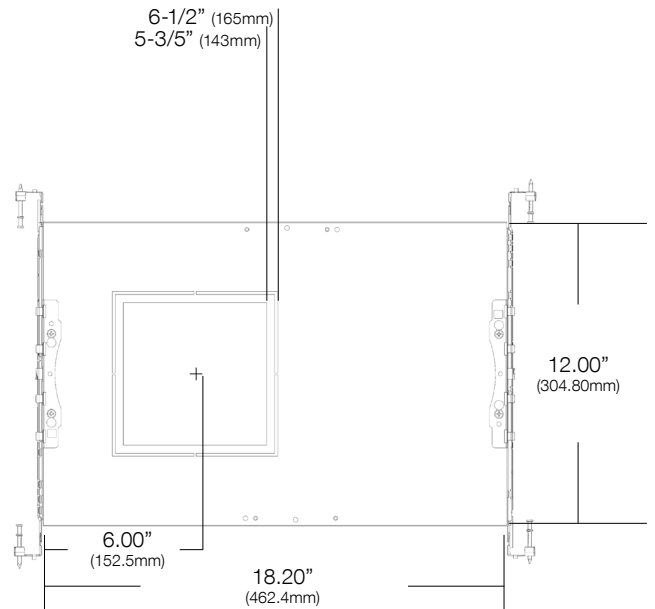
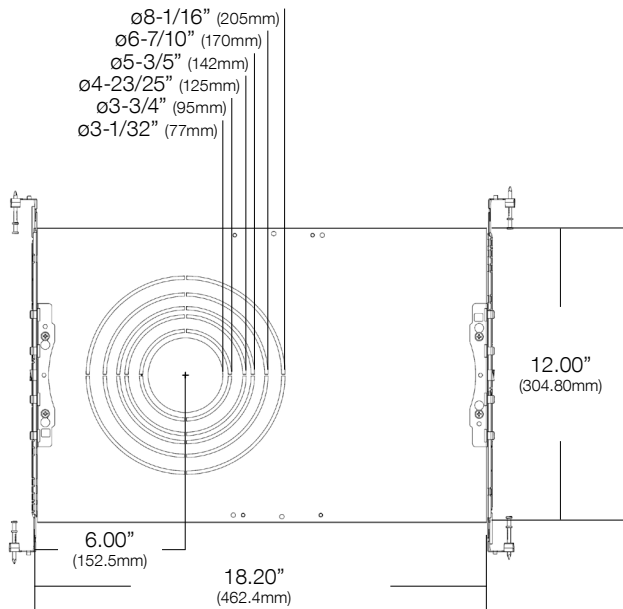
DIMENSIONS - OPTIONAL MOUNTING FRAME KIT

NCR / NCR-JB

Round Trim Mounting Frame Kit
 Round Trim Mounting Frame Kit w/ J-Box

NCS / NCS-JB

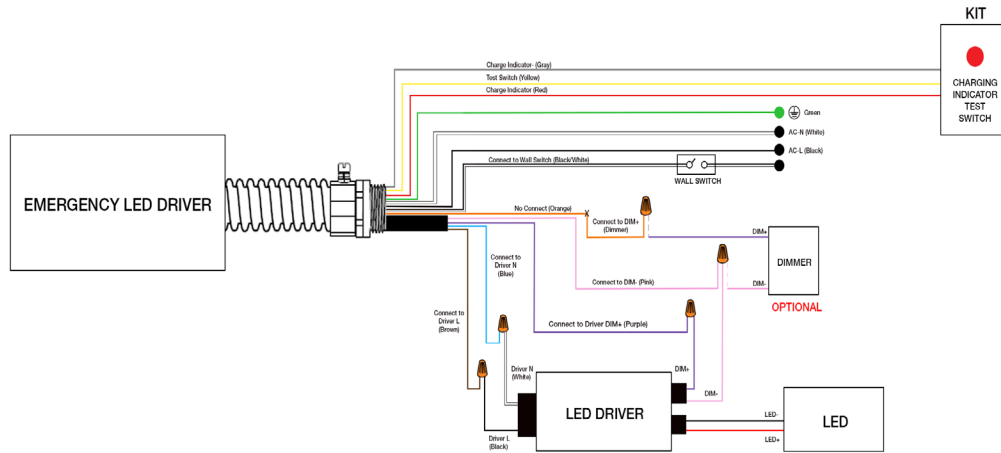
Square Trim Mounting Frame Kit
 Square Trim Mounting Frame Kit w/ J-Box



ECLIPSE SERIES | RECESSED DOWNLIGHT

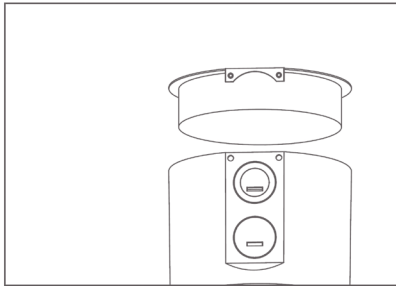
EMB SPEC

Model	Battery Capacity	Input	Output	Output Power	Operating Temp	Installation
EMB-H08170	90mins	100-347VAC	170VDC	8W	0°C ~ 50°C 32°F ~ 122°F	Field Install
EMB-H18170	90mins	100-347VAC	170VDC	18W	0°C ~ 50°C 32°F ~ 122°F	Field Install

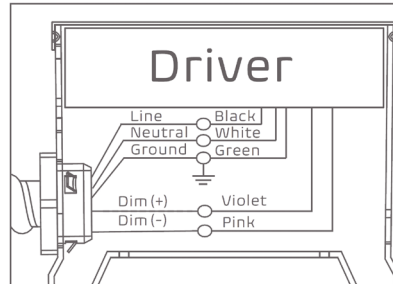


ECLIPSE SERIES | RECESSED DOWNLIGHT

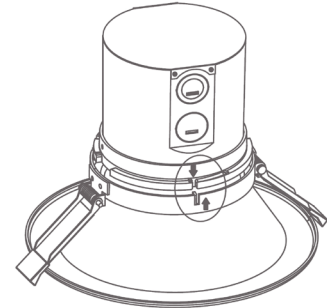
INSTALLATION



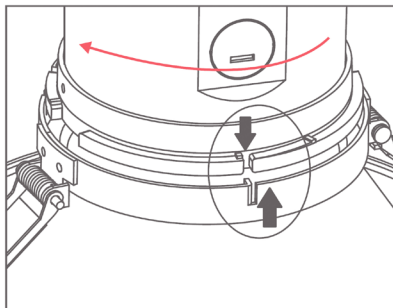
Open the cylinder J-box cover



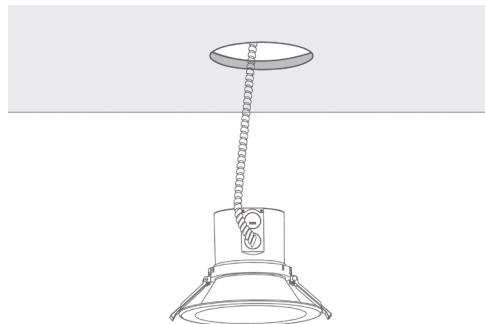
Bring power supply into J-box



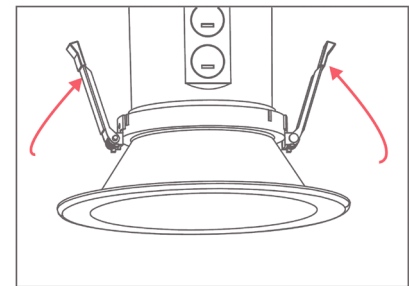
Align and Twist-lock Light Engine with Trim



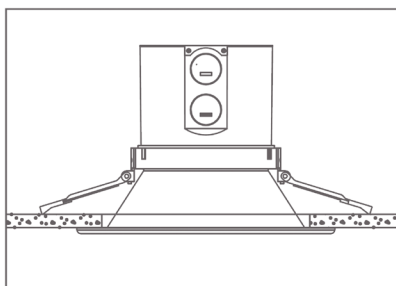
Twist clockwise until it is tightened



Ceiling cutout (see Table 1)



Push-up spring clip on Trim then push into cutout



Installation complete

Table 1

Trim	Cutout Size
ECL-4DR-WH	4.7"min. to 5.2" max.
ECL-4DS-WH	5.3"min. to 6" max.
ECL-4WR-WH	5.3"min. to 6" max.
ECL-4WS-WH	5.3"min. to 6" max.
ECL-6DR-WH	6"min. to 7.3" max.
ECL-6DS-WH	6"min. to 7.3" max.
ECL-6WR-WH	6"min. to 7.3" max.
ECL-6WS-WH	6"min. to 7.3" max.
ECL-8DR-WH	7.4"min. to 8.9" max.