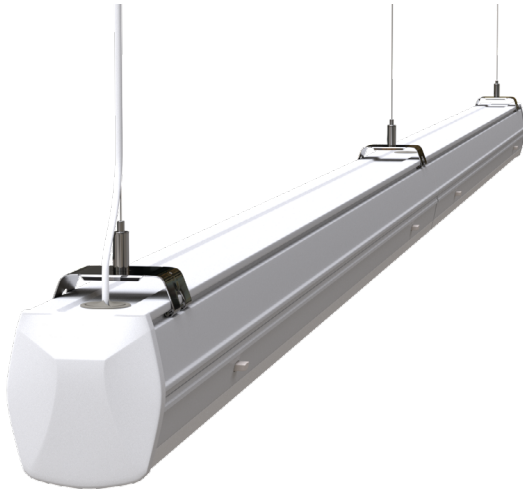


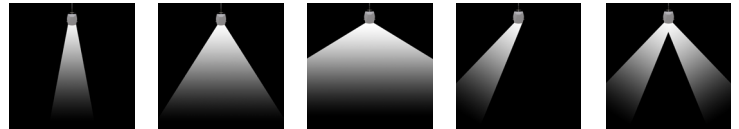
Client:
Project:
Type:
Quantity:



Snap-in Light Module



Continuous Run: Trunk A + B



Product Features

Saber Series Linear Rail System is an energy-efficient, low maintenance LED lighting system for supermarket, retail and industrial applications. Extruded aluminum trunk housing, 4ft & 8ft in length available with 8 wire configuration. Seamlessly linkable to reach desired length, suitable for 110-277V input with 0-10v dimming. "Snap-in" linear 4ft LED module available in 3000K, 3500K, 4000K CCT, and Narrow, Medium, Wide, asymmetric, double asymmetric distribution. L70 > 56,000 hours; UL damp location listed.

Technical Specifications

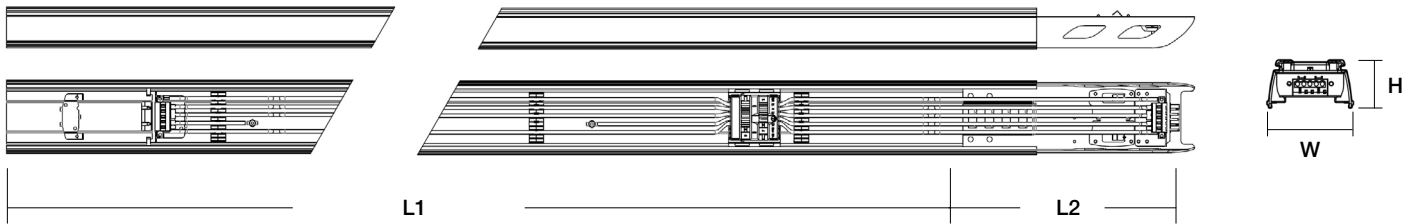
INPUT VOLTAGE	Universal Input AC120-277V
FREQUENCY	50/60hz
COLOR TEMPERATURE	3000K, 3500K, 4000K
COLOR RENDERING INDEX	80
DISTRIBUTION	Narrow (25°), Medium (60°), Wide (120°), Asymmetric (L / R), Double Asymmetric
IP RATING	Damp Location
LIFE SPAN	L70 > 56,000 Hours
DIMMING	0-10v Dimming



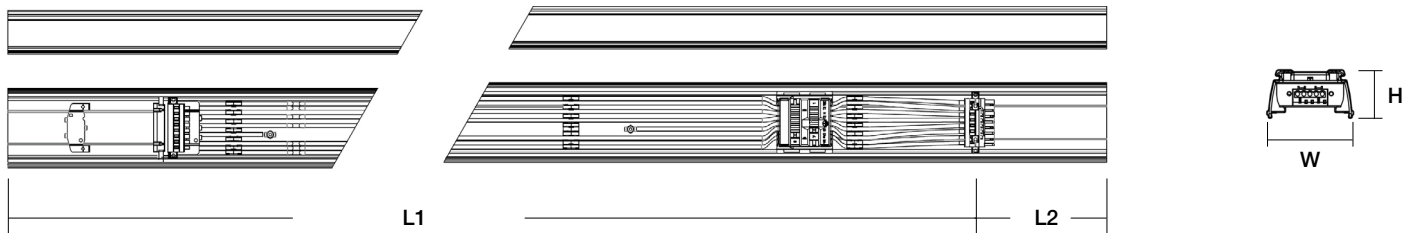
SABER SERIES | SAB

DIMENSIONS

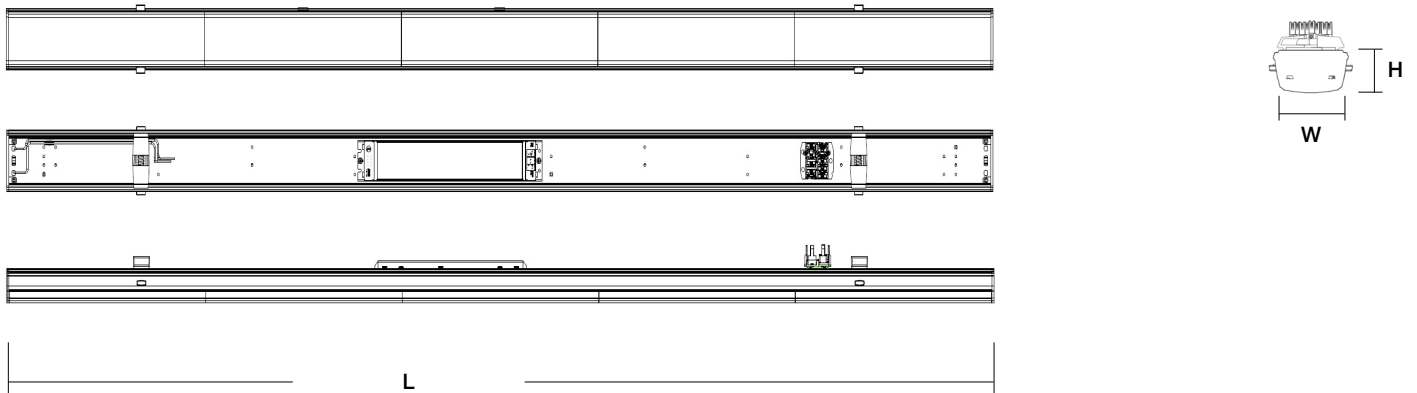
A-RAIL	L1	L2	W	H
SAB-R-4A8-WH	47-5/16"	5-15/16"	2-3/4"	1-9/16"
SAB-R-8A8-WH	94-5/8"	5-15/16"	2-3/4"	1-9/16"



B-RAIL (END)	L1	L2	W	H
SAB-R-4B8-WH	47-5/16"	3-15/16"	2-3/4"	1-9/16"
SAB-R-8B8-WH	94-5/8"	3-15/16"	2-3/4"	1-9/16"

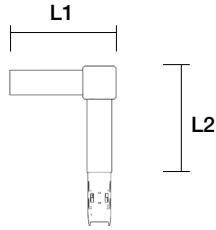


LIGHT MODULE	L	W	H
SAB-4M-WH	47"	2-3/4"	2-5/8"
SAB-4H-WH	47"	2-3/4"	2-5/8"



SABER SERIES | SAB

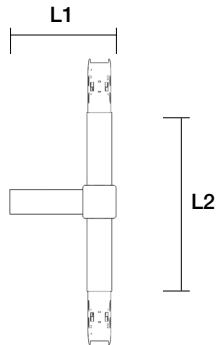
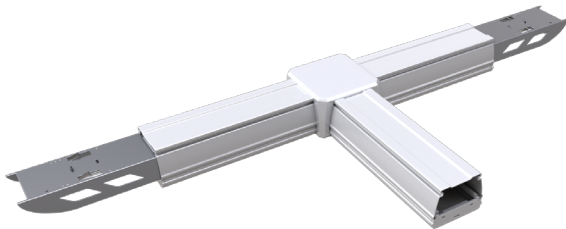
SABER RAIL L



L1	11-5/8"
L2	11-5/8"
H	2-1/16"



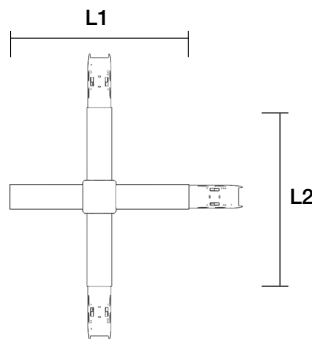
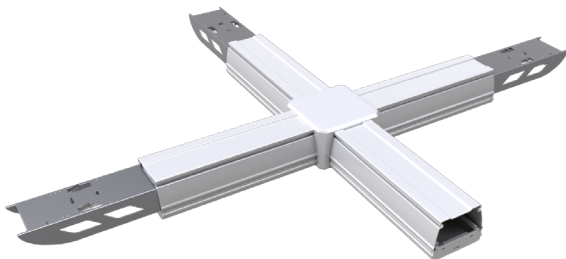
SABER RAIL T



L1	11-5/8"
L2	19-11/16"
H	2-1/16"



SABER RAIL X



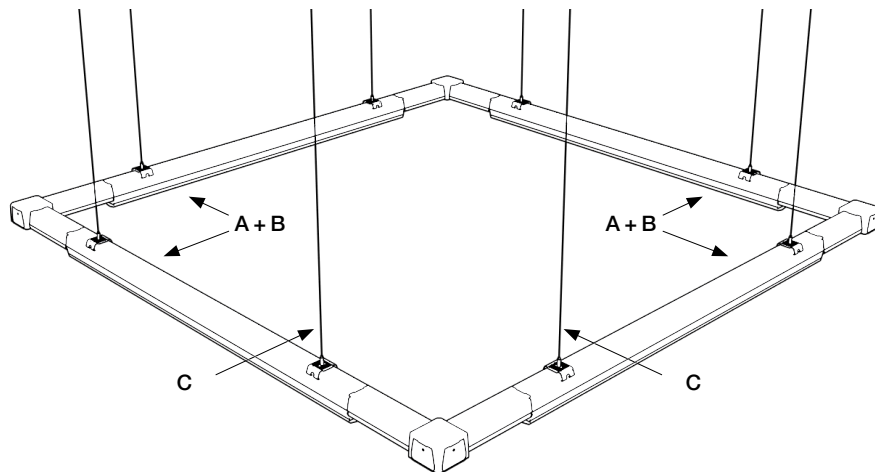
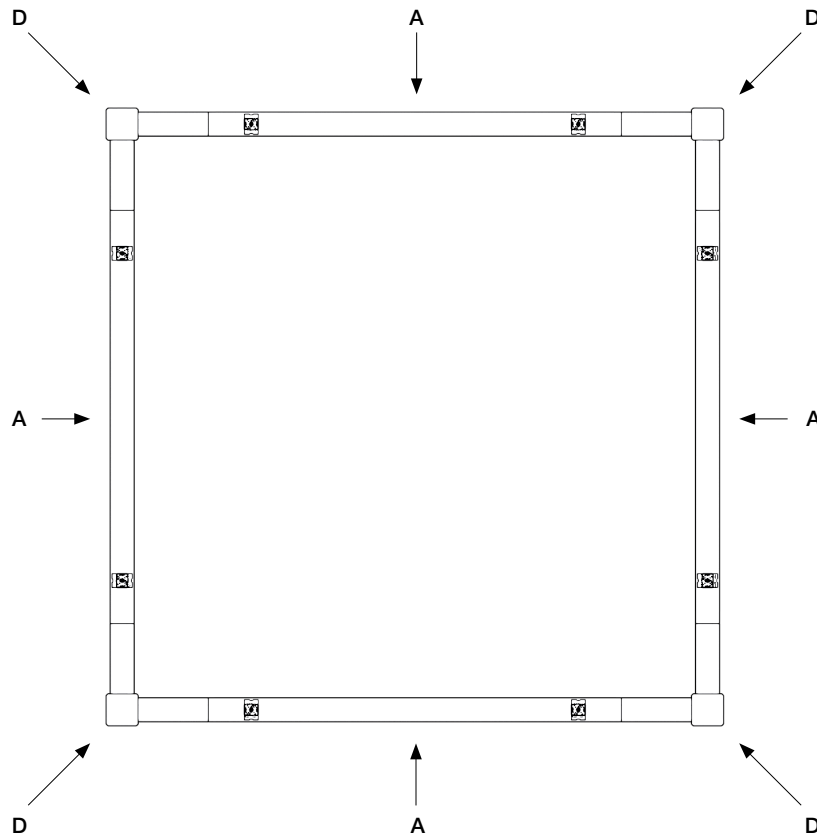
L1	19-11/16"
L2	19-11/16"
H	2-1/16"



SABER SERIES | SAB

CONNECTION GUIDE

- A. SAB-R-4A8-WH (Saber A-rail, nominal 4ft, 8 pin, White finish)
- B. SAB-4M-WH (40W, 6400lm L47" x W2-3/4" x H2-5/8")
- C. SAB-CK (Saber rail Aircraft Cable Hanging Kit)
- D. SAB-L8-WH (Saber rail L (2-way) connector)



CONNECTION GUIDE

- A. SAB-R-4A8-WH (Saber A-rail, nominal 4ft, 8 pin, White finish)
- B. SAB-R-4B8-WH (Saber B-rail end, nominal 4ft, 8 pin, White finish)
- C. SAB-4M-WH (40W, 6400lm L47" x W2-3/4" x H2-5/8")
- D. SAB-CK (Saber rail Aircraft Cable Hanging Kit)
- E. SAB-L8-WH (Saber rail L (2-way) connector)
- F. SAB-T8-WH (Saber rail L (3-way) connector)
- G. SAB-X8-WH (Saber rail L (4-way) connector)

