



**Product Features**

Contour Series is a 360° illuminated ring shaped luminaire that emits light across both horizontal and vertical planes. It features a highly efficient diffuser which delivers 105 lpw, whilst providing uniform illumination. With its distinct combination of aesthetics and performance, it can be designed to be the sole light source in any environment. Contour is available in 1.3 / 2 / 3 / 4 / 5 and 6-Ft diameter with Black, White hardware finish; textured UV resistant white opal polyethylene lens; emits even soft light for general illumination; 90CRI LED; CCT in 2700K / 3000K / 3500K / 4000K; 85% of luminous flux after 50,000 hours; cETLus damp location listed; universal input 120-277V power supply with 0-10V dimming capability down to 10%.

**Technical Specifications**

INPUT VOLTAGE	Universal Input AC120-277V
FREQUENCY	50/60hz
COLOR TEMPERATURE	2700K / 3000K / 3500K / 4000K
COLOR RENDERING INDEX	>90
DISTRIBUTION	360°
IP RATING	Damp Location
LIFE SPAN	>50,000 Hours
DIMMING	0-10V Dimming



## CONTOUR SERIES | CT

### SUBMITTAL WORKSHEET

Order Code Example: **CT**      **- 3**      **- 30**      **- CM**      **- WH**      **- WH**  
 A                                      B                                      C                                      D                                      E                                      F

**EMB-H08170**

G

#### A SERIES (CHOOSE ONE)

**CT**                      Contour Series

#### B SIZE & OUTPUT (CHOOSE ONE)

CODE	DISTRIBUTION	POWER & LUMEN		LPW	DIMENSION	SUSPENSION	DRIVER	SECTION
<b>1.3*</b>	Direct/Indirect	25W	2,625lm	105	D15.7" x H2.36"	3	1	1
<b>2*</b>	Direct/Indirect	36W	3,780lm	105	D23.6" x H2.36"	3	1	1
<b>3*</b>	Direct/Indirect	60W	6,300lm	105	D35.4" x H2.36"	3	1	1
<b>4</b>	Direct/Indirect	80W	8,400lm	105	D47.2" x H2.36"	4	2	1
<b>5</b>	Direct/Indirect	100W	10,500lm	105	D59" x H2.36"	4	2	1
<b>6</b>	Direct/Indirect	120W	12,600lm	105	D70.9" x H2.36"	6	3	1

\*Power over suspension

#### C CCT (CHOOSE ONE)

<b>27</b>	2700K	<b>40</b>	4000K
<b>30</b>	3000K	<b>RGBW</b>	Red, Green, Blue, White - Mix LED
<b>35</b>	3500K	<b>TW*</b>	Tunable White

\*Custom-build please consult factory

#### D MOUNTING (CHOOSE ONE)

<b>CM</b>	5FT Steel Cable, 10-Inch / 14-Inch Surface Mount Canopy, Integral Driver (Canopy size varies by fixture output)
<b>CM2</b>	5FT Steel Cable, 11-Inch / 14-Inch Surface Mount Canopy w/Center-Ring, Integral Driver (Canopy size varies by fixture output)

#### E FINISH (CHOOSE ONE)

<b>MB</b>	Black	<b>MS</b>	Silver
<b>MW</b>	White	<b>CC*</b>	Custom Color

\*see Customized Color Chart page 3

#### F POWER CORD (CHOOSE ONE)

<b>BK*</b>	5FT Black Power Cord
<b>WH*</b>	5FT White Power Cord

\*For CT-4 ~ 6

#### G OPTIONS

<b>blank</b>	Integral Driver 120~277V 0-10V Dimming
<b>BAA</b>	Assembled in America, Compliant with BAA (COTS)
<b>FAD</b>	Customized Output (Consult Factory)
<b>EMB-H08170*</b>	90-Minute Self-Diagnostic Emergency Battery 8W 100-347VAC Input 170VDC Output
<b>EMB-H18170*</b>	90-Minute Self-Diagnostic Emergency Battery 18W 100-347VAC Input 170VDC Output

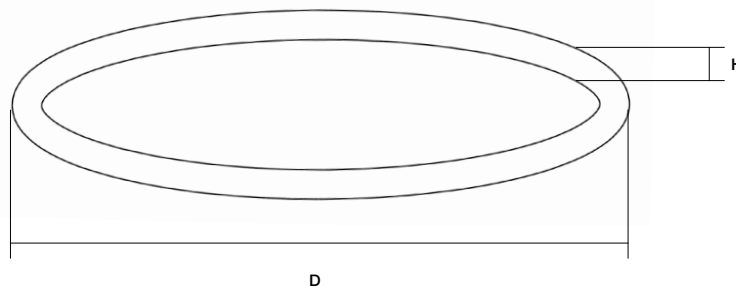
\*see page 7 for EMB spec

**CONTOUR SERIES | CT**

**DIMENSIONS**

**Cross Section**

SERIES & SIZE	DIMENSION	Section	Power Cord
CT-1.3	D15.7" x H2.36"	1	Power over suspension
CT-2	D23.6" x H2.36"	1	Power over suspension
CT-3	D35.4" x H2.36"	1	Power over suspension
CT-4	D47.2" x H2.36"	1	Black / White power cord
CT-5	D59" x H2.36"	1	Black / White power cord
CT-6	D70.9" x H2.36"	1	Black / White power cord



**COLOR CHART** (CHOOSE ONE)

CC  
RAL

Specify Color Code:  
Specify RAL Color:



GR - Green



BL - Blue



PP - Purple



PK - Pink



RD - Red



OG - Orange



YW - Yellow



MB - Matte Black



GB - Gloss Black



MW - Matte White



GW - Gloss White



OB - Oil Rubbed Bronze



GZ - Gloss Bronze



MS - Matte Silver



MBS - Matte Brass



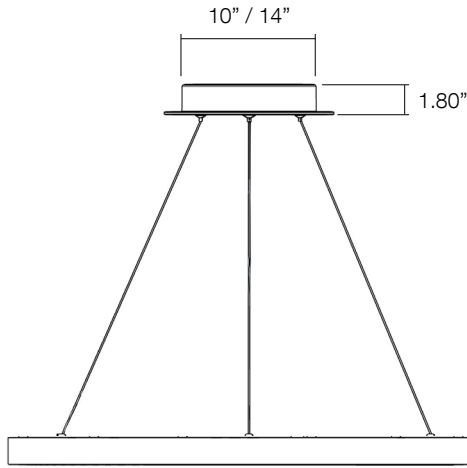
GBS - Gloss Brass

**CONTOUR SERIES | CT**

**MOUNTING OPTIONS - CT-1.3 / CT-2 / CT-3**

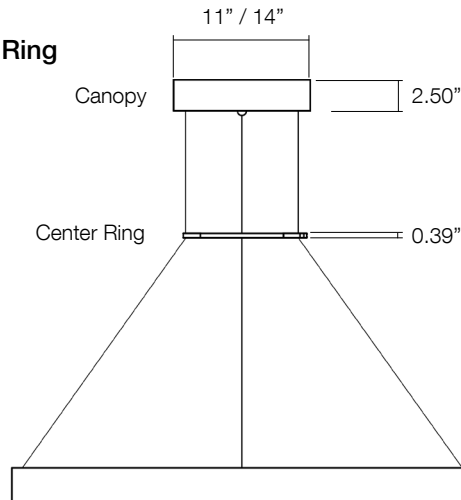
**CM - Canopy Mount**

FIXTURE	CANOPY SIZE
CT-1.3	10"
CT-2	10"
CT-3	10"

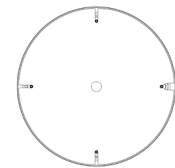


**CM2 - Canopy Mount w/Center Ring**

FIXTURE	CANOPY SIZE
CT-1.3	11"
CT-2	11"
CT-3	11"

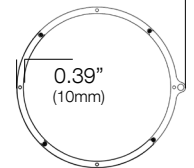


ø11.02" (ø280mm)



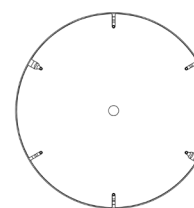
**11" Surface Mount Canopy**

ø9.45" (ø240mm)



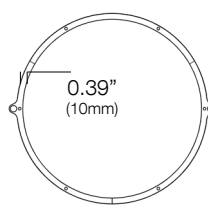
**Center Ring w/Single Wire Hole**

ø13.78" (ø350mm)



**14" Surface Mount Canopy**

ø12.20" (ø310mm)



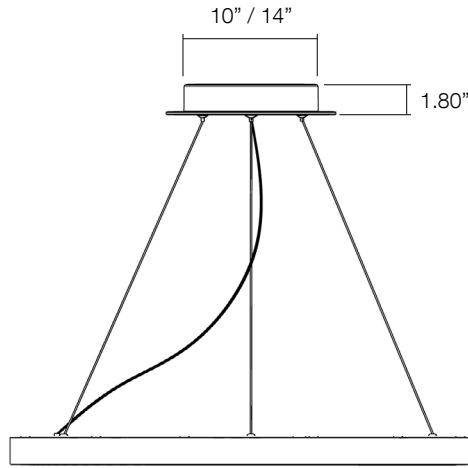
**Center Ring w/Double Wire Hole**

**CONTOUR SERIES | CT**

**MOUNTING OPTIONS - CT-4 / CT-5 / CT-6**

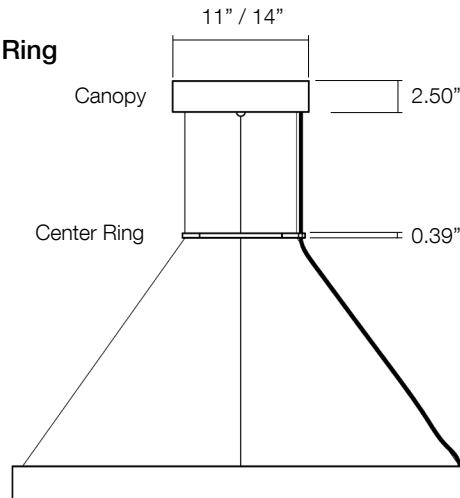
**CM - Canopy Mount**

FIXTURE	CANOPY SIZE
CT-4	10"
CT-5	14"
CT-6	14"

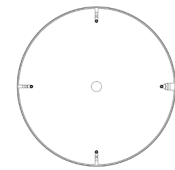


**CM2 - Canopy Mount w/Center Ring**

FIXTURE	CANOPY SIZE
CT-4	11"
CT-5	11"
CT-6	14"

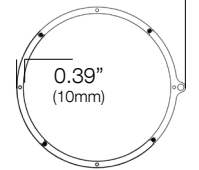


ø11.02" (ø280mm)



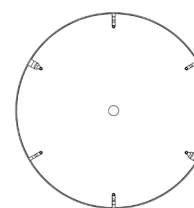
**11" Surface Mount Canopy**

ø9.45" (ø240mm)



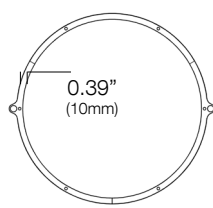
**Center Ring w/Single Wire Hole**

ø13.78" (ø350mm)



**14" Surface Mount Canopy**

ø12.20" (ø310mm)



**Center Ring w/Double Wire Hole**

**CONTOUR SERIES | CT**

**COLOR CHART**



MB - Matte Black



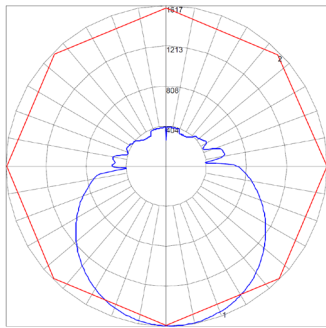
MW - Matte White



MS - Matte Silver

**PHOTOMETRIC**

IES: CT-4 @ 80W 3000K



Zone	Lumen	Luminaire%
0-30	1287	13.60
0-40	2167	22.80
0-60	4189	44.10
0-90	6813	71.80
0-180	9489	100

Lumen: 9489  
 Input Watts: 83.13 W  
 Efficacy: 114 LPW  
 UGR: 27.3

**EMB SPEC**

Model	Battery Capacity	Input	Output	Output Power	Operating Temp	Installation
EMB-H08170	90mins	100-347VAC	170VDC	8W	0°C ~ 50°C 32°F ~ 122°F	Field Install
EMB-H18170	90mins	100-347VAC	170VDC	18W	0°C ~ 50°C 32°F ~ 122°F	Field Install

