

**Product Features**

RAY Series - an ADA compliant wall sconce architectural luminaire, offering brilliant illumination with an 90+ CRI and a powerful 6W 400lm/FT light engine. Constructed from high quality die-cast aluminum with impact resistant diffused lens. The luminaire features 360° continuous tube rotation, vertical or horizontal mount, available in standard white, black, copper, pewter, satin nickel finishes, static CCT or Dim-to-Warm feature of 3000K ~ 1800K. 85% luminous flux retention after 50,000 hours.

**Technical Specifications**

INPUT VOLTAGE	AC120-277V (REMOTE DRIVER)
FREQUENCY	50/60hz
LUMEN	400lm/ft
WATTAGE	6W/ft
COLOR TEMPERATURE	Static CCT 2700K / 3000K / 3500K / 4000K Warm Dim 3000K ~ 1800K
COLOR RENDERING INDEX	>90
DISTRIBUTION	113° Beam Angle (Rotatable)
LIFE SPAN	>50,000 Hours
DIMMING	3-IN-1: 0-10v Dimming / Triac / ELV Dimming



## RAY SERIES | RA

### SUBMITTAL WORKSHEET

Order Code Example: **RA**    **- S1**    **- 27**    **- WM**    **- BK**    **- UDAE**    **- OPTIONS**  
 A                    B                    C                    D                    E                    F                    G

#### A SERIES

**RA**                    Ray Series Slimline Wall Sconces

#### B SIZE & OUTPUT

CODE	SIZE	POWER & LUMEN	DIMENSION
<b>S1</b>	Single Tube 12"	6W / 400lm	Tube L14.02" x OD 1.13"
<b>S2</b>	Single Tube 24"	12W / 800lm	Tube L24.42" x OD 1.13"
<b>D1</b>	Double Tube 12"	12W / 800lm	Tube L28.04" x OD 1.13"
<b>D2</b>	Double Tube 24"	24W / 1600lm	Tube L48.84" x OD 1.13"

#### C CCT (CHOOSE ONE)

<b>27</b>	2700K
<b>30</b>	3000K
<b>35</b>	3500K
<b>40</b>	4000K
<b>DW</b>	Dim-to-Warm 3000K ~ 1800K

#### D MOUNTING

**WM**                    Wall Mount

#### E FINISH

<b>WH</b>	Smooth White
<b>BK</b>	Smooth Black
<b>CP</b>	Copper
<b>PW</b>	Pewter
<b>SN</b>	Satin Nickel
	See Color Chart Pg. 4

#### F INPUT

**UD3AE**                    Remote Driver 120-277V Input, 3-in-1 Dimming: 0-10V/Triac/ELV Dimming

#### G OPTIONS

**BAA**                    Assembled in America, compliant with BAA (COTS)

**RAY SERIES | RA**

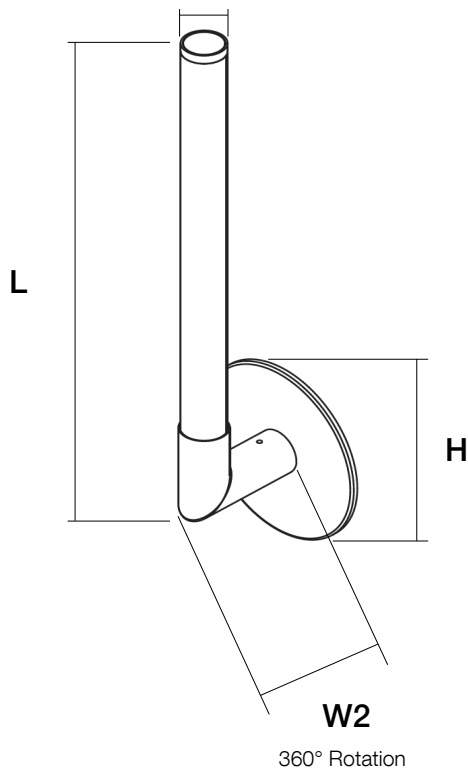
**DIMENSIONS**

CODE	DIMENSION			
	L	W1	W2	H
RA-S1	14.02"	OD 1.13"	3.29"	OD 5.00"
RA-S2	24.42"	OD 1.13"	3.29"	OD 5.00"
RA-D1	28.04"	OD 1.13"	3.29"	OD 5.00"
RA-D2	48.84"	OD 1.13"	3.29"	OD 5.00"

**RA-S1 / S2**

**W1**

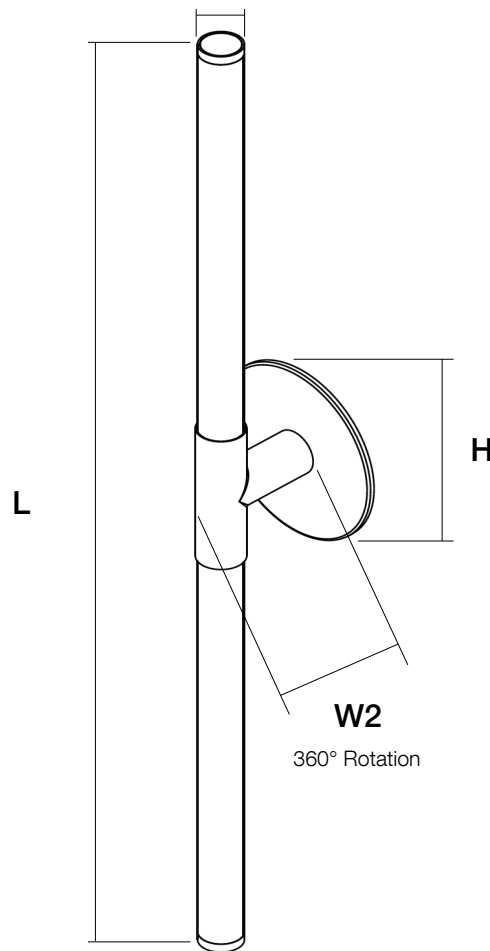
360° Rotation



**RA-D1 / D2**

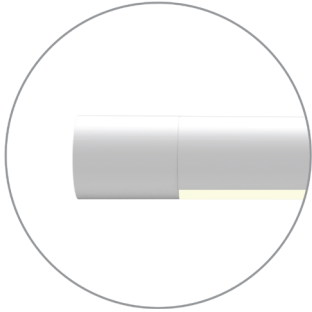
**W1**

360° Rotation

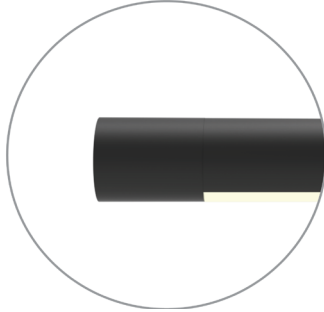


RAY SERIES | RA

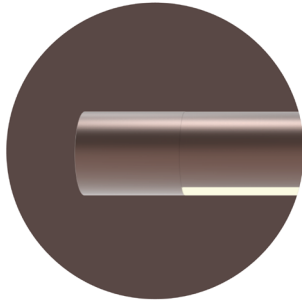
COLOR CHART (CHOOSE ONE)



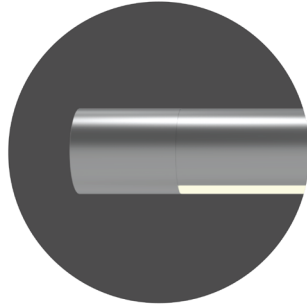
WH - White



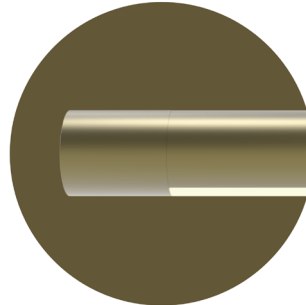
BK - Black



CP - Copper



PW - Pewter



SN - Satin Nickel