



**Product Features**

LUX Series LX2.3 architectural linear luminaire housing from 2.3" wide aluminum extruded profile, available in 2, 3, 4 and 8-Ft length with White, Black finish; integral driver, frosted polycarbonate lens; emits even soft direct facing light for general illumination; >80CRI LED; field selectable CCT in 3000K / 3500K / 4000K; 85% of luminous flux after 50,000 hours; cULus damp location listed; universal input 120-277V power supply with 0-10V dimming capability down to 10%.

**Technical Specifications**

INPUT VOLTAGE	Universal Input AC120-277V
FREQUENCY	50/60hz
COLOR TEMPERATURE	Field Selectable 3000K / 3500K / 4000K
COLOR RENDERING INDEX	>80
DISTRIBUTION	Direct, Field Selectable Output
IP RATING	Damp Location
LIFE SPAN	>50,000 Hours
DIMMING	0-10V Dimming



## LUX SERIES | LX2.3 SURFACE / RECESSED

### SUBMITTAL WORKSHEET

Order Code Example: **LX2.3 - L2 - SC - blank - WH - LX2.3-CON - EMB-18W-B**

A            B            C            D            E            F            F

#### A SERIES (CHOOSE ONE)

**LX2.3**                      LUX Series 2.3" Profile Architectural Linear

#### B SIZE & OUTPUT (CHOOSE ONE)

CODE		DISTRIBUTION	POWER & LUMEN FIELD SELECTABLE
L2	QS	Direct	10W / 15W / 20W
L3	QS	Direct	15W / 23W / 30W
L4	QS	Direct	20W / 30W / 40W
L8	QS	Direct	40W / 60W / 80W

#### C CCT (CHOOSE ONE)

**SC**            QS            Field Selectable 3000K / 3500K / 4000K

#### D MOUNTING

**blank**            QS            Surface Mount (no additional mounting hardware required)  
 For Recessed Mount, please pick a mounting kit under **OPTIONS** below.

#### E FINISH (CHOOSE ONE)

**BK**            QS            Black  
**WH**            QS            White

#### F OPTIONS

<b>blank</b>		Integral driver 120~277V 0-10V Dimming
<b>BAA</b>		Assembled in America, compliant with BAA (COTS)
<b>LX2.3-CON</b>	QS	LUX 2.3" Profile Line Joiner (metal bracket)
<b>LX2.3-CON-L</b>	QS	LUX 2.3" Profile "L" 90DEG Illuminated Corner
<b>LX2.3-REC-DWTRIM**</b>	QS	LUX 2.3" Profile Recessed Mount Trim Kit for Drywall Ceiling (use 1 set per fixture)
<b>LX2.3-REC-DWBRACKET**</b>	QS	LUX 2.3" Profile Recessed Mount Bracket Kit for Drywall Ceiling (use 1 set per fixture)
<b>LX2.3-REC-916F**</b>	QS	LUX 2.3" Profile Recessed Mount T-Grid Clip for 9/16" Flat (use 1 set per fixture)
<b>LX2.3-REC-1516F**</b>	QS	LUX 2.3" Profile Recessed Mount T-Grid Clip for 15/16" Flat (use 1 set per fixture)
<b>LX2.3-REC-916S**</b>	QS	LUX 2.3" Profile Recessed Mount T-Grid Clip for 9/16" Slot (use 1 set per fixture)
<b>T-BAR**</b>	QS	4" Octagon Box Included, Adjustable T-Bar Clip Suitable for 9/16" Flat, 9/16" Slot, 15/16" Flat T-Bar Grid Spec
<b>LENS-LX2.3-42FT</b>	QS	LUX 2.3" 42FT Continuous Rolling Lens
<b>EMB-18W-B*</b>	QS	Integral 90-Minute Self-Diagnostic Emergency Battery 18W 100-347VAC Input 170VDC Output (For 4FT and 8FT models only)

\*see page 5 for EMB spec

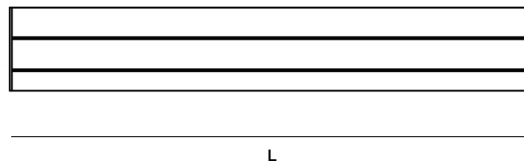
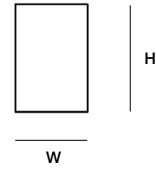
\*\*see page 6 for detail

**LUX SERIES | LX2.3 SURFACE / RECESSED**

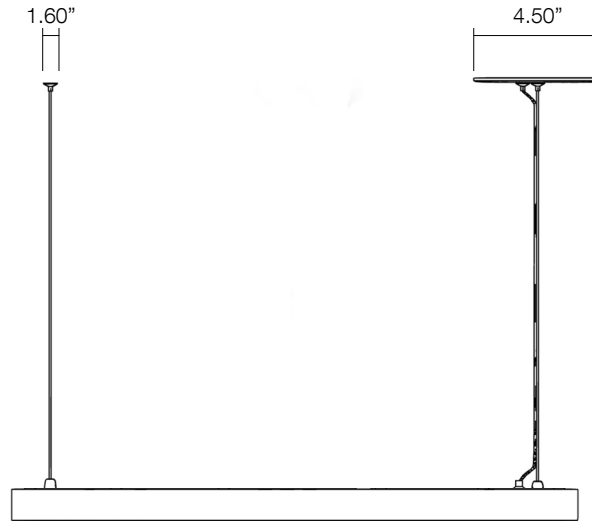
**DIMENSIONS**

**Cross Section**

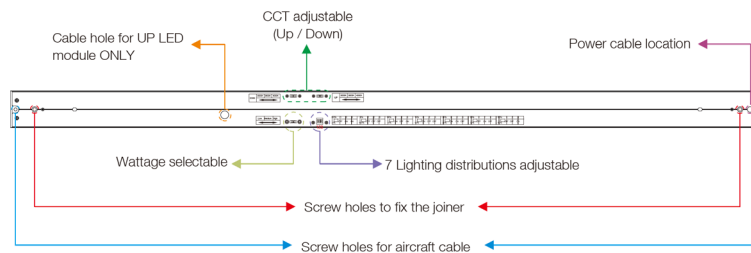
SERIES & SIZE	DIMENSION	Section
LX2.3-L2	L23.70" x W2.34" x H3.46"	1
LX2.3-L3	L35.71" x W2.34" x H3.46"	1
LX2.3-L4	L47.72" x W2.34" x H3.46"	1
LX2.3-L8	L95.24" x W2.34" x H3.46"	1



**Quick Mount**

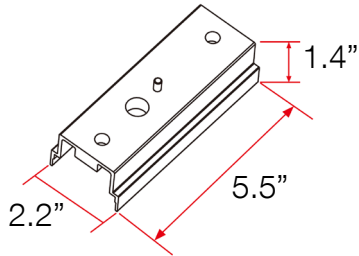


**LX2.3 Profile**

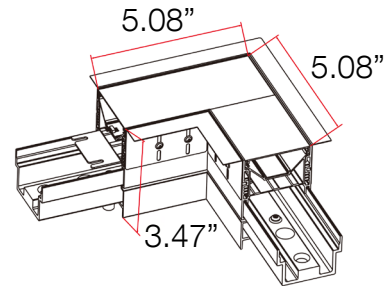


**LUX SERIES | LX2.3 SURFACE / RECESSED**

**CONNECTOR DIMENSIONS**



**LX2.3-CON**  
LUX 2.3" Profile Line Joiner (metal bracket)

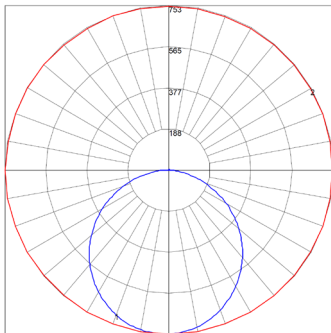


**LX2.3-CON-L**  
LUX 2.3" Profile "L" 90DEG Lit Corner

**PHOTOMETRIC**

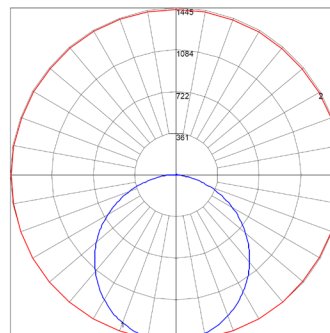
IES: LX2.3-L2SC @ 4000K 20W

IES: LX2.3-L4SC @ 4000K 40W



Zone	Lumen	Luminaire%
0-30	582	27.30
0-40	951	44.60
0-60	1678	78.70
0-90	2127	99.70
0-180	2133	100

Lumen: 2133  
Input Watts: 20.5 W  
Efficacy: 104 LPW  
UGR: 28.8



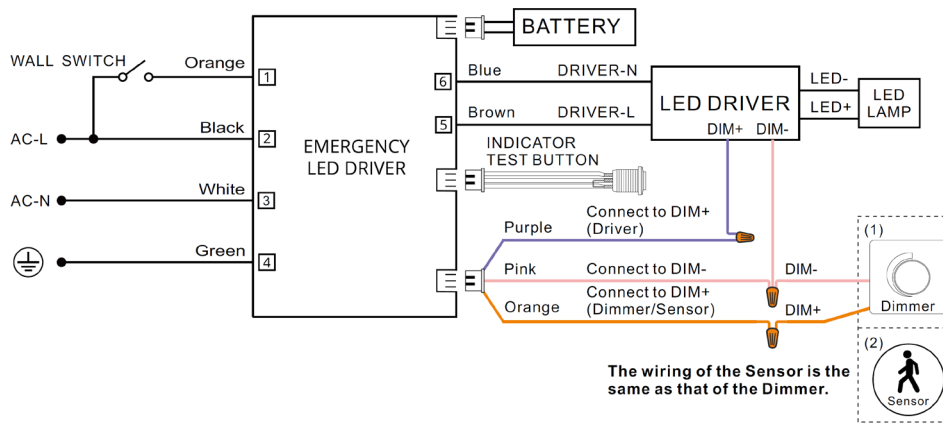
Zone	Lumen	Luminaire%
0-30	1115	27.40
0-40	1822	44.80
0-60	3211	78.90
0-90	4058	99.70
0-180	4069	100

Lumen: 4069  
Input Watts: 39.5 W  
Efficacy: 103 LPW  
UGR: 28.4

**LUX SERIES | LX2.3 SURFACE / RECESSED**

**EMB SPEC**

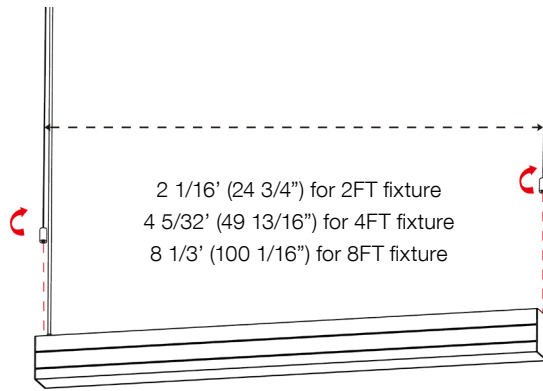
Model	Battery Capacity	Input	Output	Output Power	Operating Temp	Installation
EMB-18W-B	90mins	100-347VAC	170VDC	18W	0°C ~ 50°C 32°F ~ 122°F	Factory or Field Install



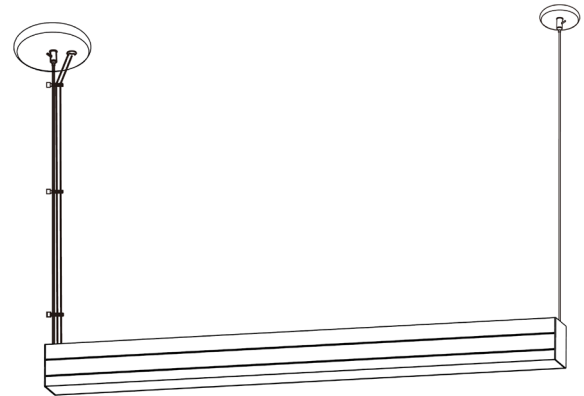
## LUX SERIES | LX2.3 SURFACE / RECESSED

### INSTALLATION

#### QUICK MOUNT PART# QM / QM12

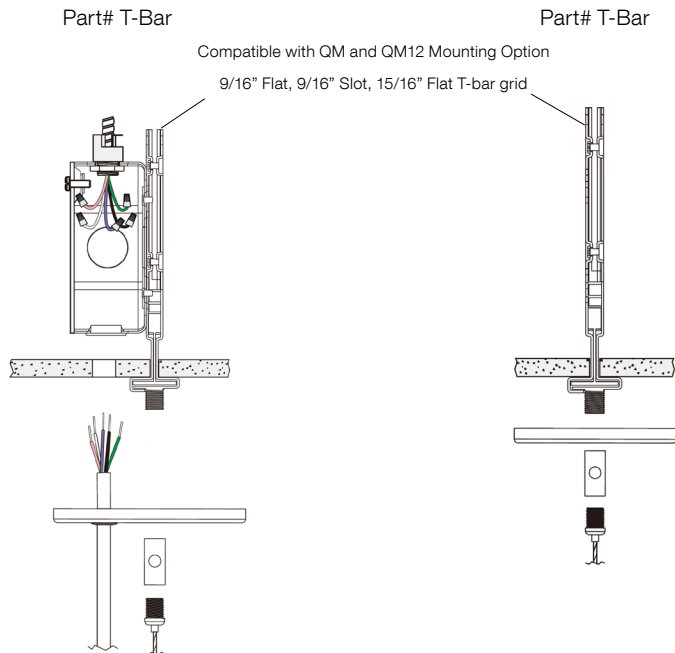


1: Install suspension by rotating adapter clockwise to the top of the fixture.



2: Use cable tie to keep the power feed wire in place next to the suspension cable.

#### T-GRID INSTALL PART# QM-T-BAR / QM12-T-BAR



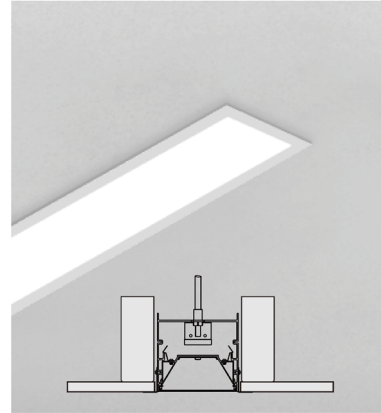
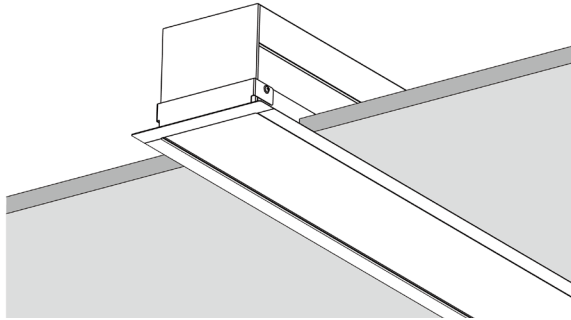
Adjustable T-Bar Clip with 4" Octagon Box  
Attachment for (1) Suspension Point

Adjustable T-Bar Clip for 1.6-inch Mounting Plate  
Attachment for (1) Suspension Point

**LUX SERIES | LX2.3 SURFACE / RECESSED**

**INSTALLATION**

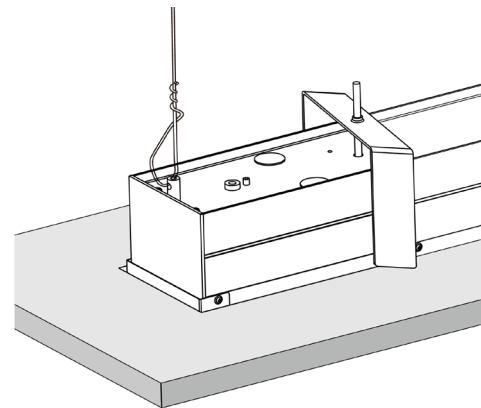
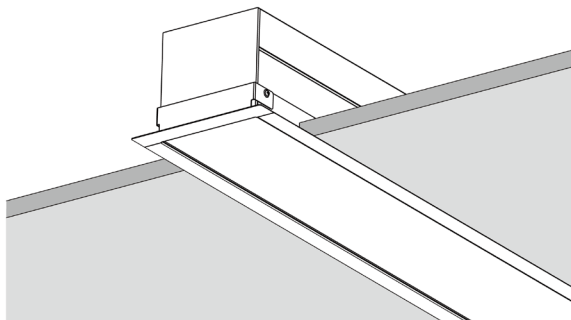
**RECESSED MOUNT - SECURE BY STEM (STEM BY OTHERS)**



Mounting Kit - **LX2.3-REC-DWTRIM** (use 1 set per fixture)



**RECESSED MOUNT - SECURE BY BRACKET**



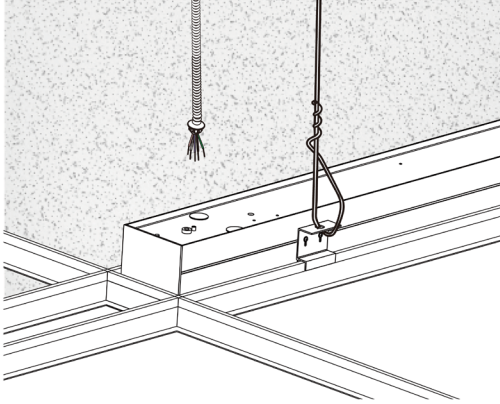
Mounting Kit - **LX2.3-REC-DWBRACKET** (use 1 set per fixture)



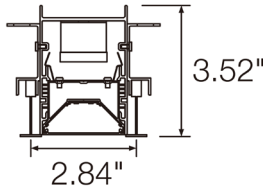
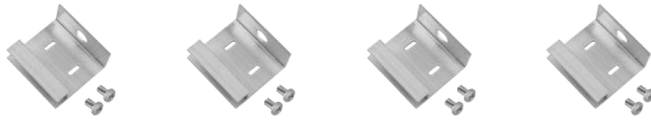
**LUX SERIES | LX2.3 SURFACE / RECESSED**

**INSTALLATION**

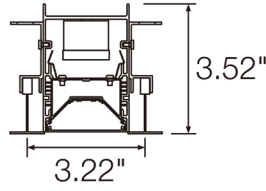
**RECESSED MOUNT - SECURE ON T-GRID SYSTEM**



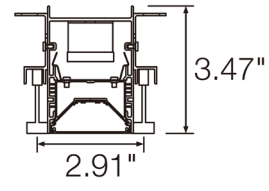
Mounting Kit - **LX2.3-REC-916F** / **LX2.3-REC-1516F** / **LX2.3-REC-916S** (use 1 set per fixture)



**LX2.3-REC-916F**  
9/16" Flat Grid



**LX2.3-REC-1516F**  
15/16" Flat Grid



**LX2.3-REC-916S**  
9/16" Slot Grid