



Direct



Direct / Indirect

**Product Features**

Revolve Series 82 - Ring shaped versatile architectural luminaire housing from rolled aluminum extruded profile, seamlessly welded; available with standard matte Black, White, Silver or custom RAL finish; available with steel cable suspension system through surface canopy or direct ceiling mount; power supply unit to be installed in canopy or remote; entire luminaire homogeneously illuminated, single ring shaped frosted PMMA lens; soft direct / indirect illumination characteristic for general illumination and maximum visual comfort; SAMSUNG LED with above 90CRI; available in 2700K, 3000K, 3500K, 4000K, RGBW and Tunable White; 85% of luminous flux after 50000 hours; ETL damp location listed; universal power supply with 0-10v dimming capability.

**Technical Specifications**

INPUT VOLTAGE	Universal Input AC120-277V
FREQUENCY	50/60hz
COLOR TEMPERATURE	2700K, 3000K, 3500K, 4000K, RGBW, Tunable White
COLOR RENDERING INDEX	90
DISTRIBUTION	Direct, Direct 70% / Indirect 30% / Custom Ratio
IP RATING	Damp Location
LIFE SPAN	50,000 Hours
DIMMING	0-10V Dimming



## REVOLVE SERIES | RV-82

### SUBMITTAL WORKSHEET

Order Code Example: **RV-82**    **- UD3**    **- 40**    **- blank**    **- MW**    **- WH**    **- OPTIONS**

A                      B                      C                      D                      E                      F                      G

#### A SERIES (CHOOSE ONE)

**RV-82**                      Revolve Series Suspended Ring Shaped Luminaire

#### B SIZE & OUTPUT (CHOOSE ONE)

CODE		DISTRIBUTION	POWER & LUMEN		LPW	WEIGHT	DIMENSION	SUSPENSION	DRIVER	SECTION
<b>D2</b>	<b>QS</b>	Direct	40W	3,400lm	85	7lbs	D24" x W1.3" x H1.5"	3	1	1
<b>D3</b>	<b>QS</b>	Direct	50W	4,250lm	85	11lbs	D36" x W1.3" x H1.5"	3	1	1
<b>D4</b>	<b>QS</b>	Direct	80W	6,800lm	85	14lbs	D48" x W1.3" x H1.5"	4	2	1
<b>D5</b>		Direct	100W	8,500lm	85	17lbs	D60" x W1.3" x H1.5"	4	2	1
<b>D6.5</b>		Direct	120W	10,200lm	85	23lbs	D79" x W1.3" x H1.5"	6	3	3
<b>UD2</b>		Direct / Indirect	65W	5,525lm	85	14lbs	D24" x W1.7" x H2.7"	3	2	1
<b>UD3</b>	<b>QS</b>	Direct / Indirect	80W	6,800lm	85	20lbs	D36" x W1.7" x H2.7"	3	2	1
<b>UD4</b>	<b>QS</b>	Direct / Indirect	120W	10,200lm	85	27lbs	D48" x W1.7" x H2.7"	4	3	1
<b>UD5</b>		Direct / Indirect	140W	11,900lm	85	33lbs	D60" x W1.7" x H2.7"	4	3	1
<b>UD6.5</b>		Direct / Indirect	160W	13,600lm	85	43lbs	D79" x W1.7" x H2.7"	6	4	3

#### C CCT - DIRECT (CHOOSE ONE)

<b>27</b>		2700K	<b>40</b>	<b>QS</b>	4000K
<b>30</b>		3000K	<b>RGBW*</b>		Red, Green, Blue, White - Mix LED
<b>35</b>	<b>QS</b>	3500K	<b>TW*</b>		Tunable White

\*Custom-build please consult factory

#### D MOUNTING

<b>CM*</b>	<b>QS</b>	5FT Steel Cable, 10-Inch / 14-Inch Surface Mount Canopy, Integral Driver <small>(Canopy size varies by fixture output)</small>
<b>CM2*</b>	<b>QS</b>	5FT Steel Cable, 11-Inch / 14-Inch Surface Mount Canopy w/Center-Ring, Integral Driver <small>(Canopy size varies by fixture output)</small>
<b>QM*</b>	<b>QS</b>	5FT Steel Cable Direct Mount, 10-Inch/14-Inch Surface Mount Canopy, Integral Driver <small>(Canopy size varies by fixture output)</small>
<b>SM</b>	<b>QS</b>	Surface Mount Kit, Remote Driver Enclosure

\*See compatible list on Pg 3-4

#### E FINISH

<b>MB</b>		Black
<b>MW</b>	<b>QS</b>	White
<b>MS</b>		Silver
<b>CC</b>		Customized Color

\*see Customized Color Chart on Pg 6

#### F POWER CORD (CHOOSE ONE)

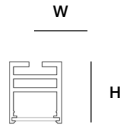
<b>BK</b>	<b>QS</b>	Standard 5FT Black Power Cord / Specify Length ____ FT <small>(Suspension cable length will match)</small>
<b>WH</b>	<b>QS</b>	Standard 5FT White Power Cord / Specify Length ____ FT <small>(Suspension cable length will match)</small>

#### G OPTIONS

<b>blank</b>	120/277V 0-10V Dimming
<b>FAD</b>	Customized Output (Consult Factory)
<b>BAA</b>	Assembled in America, Compliant with BAA (COTS)

**DIMENSIONS**

**Direct**



**FIXTURE MODEL**

- RV-82-D2
- RV-82-D3
- RV-82-D4
- RV-82-D5
- RV-82-D6.5

**DIMENSION**

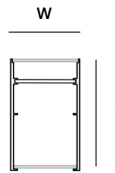
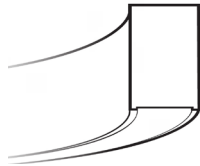
- D24" x W1.3" x H1.5"
- D36" x W1.3" x H1.5"
- D48" x W1.3" x H1.5"
- D60" x W1.3" x H1.5"
- D79" x W1.3" x H1.5"

**MOUNTING CANOPY OPTION**

- CM-10", CM2-11", QM, SM
- CM-10", CM2-11", QM, SM
- CM-10", CM2-11", QM, SM
- CM-14", CM2-11", QM, SM
- CM-14", CM2-14", QM, SM

D = Outer Diameter

**Direct / Indirect**



**FIXTURE MODEL**

- RV-82-UD2
- RV-82-UD3
- RV-82-UD4
- RV-82-UD5
- RV-82-UD6.5

**DIMENSION**

- D24" x W1.7" x H2.7"
- D36" x W1.7" x H2.7"
- D48" x W1.7" x H2.7"
- D60" x W1.7" x H2.7"
- D79" x W1.7" x H2.7"

**MOUNTING CANOPY OPTION**

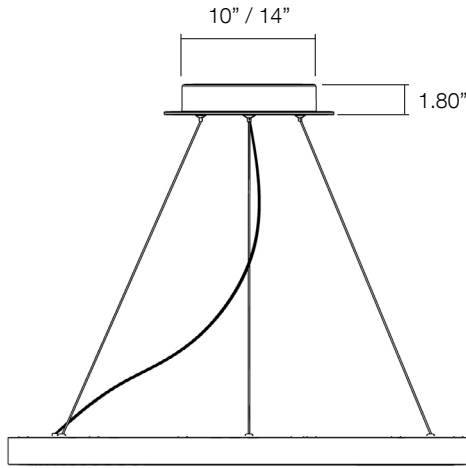
- CM-10", CM2-11", QM, SM
- CM-10", CM2-11", QM, SM
- CM-10", CM2-14", QM, SM
- CM-14", CM2-14", QM, SM
- CM-14", CM2-14", QM, SM

D = Outer Diameter

**MOUNTING OPTIONS**

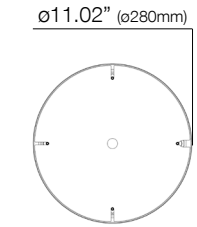
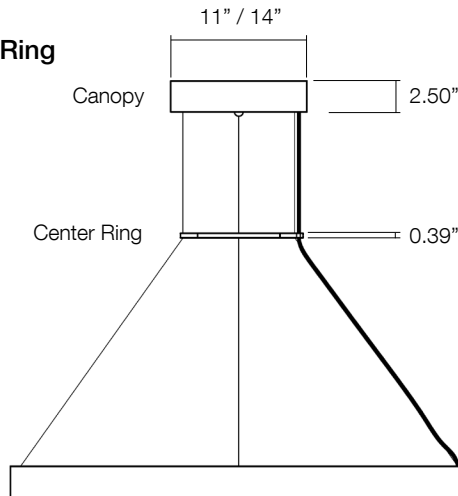
**CM - Canopy Mount**

FIXTURE	CANOPY SIZE
RV-82-D2	10"
RV-82-D3	10"
RV-82-D4	10"
RV-82-D5	14"
RV-82-D6.5	14"
RV-82-UD2	10"
RV-82-UD3	10"
RV-82-UD4	10"
RV-82-UD5	14"
RV-82-UD6.5	14"

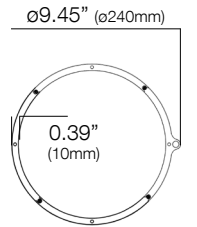


**CM2 - Canopy Mount w/Center Ring**

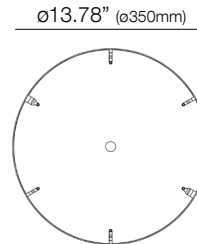
FIXTURE	CANOPY SIZE
RV-82-D2	11"
RV-82-D3	11"
RV-82-D4	11"
RV-82-D5	11"
RV-82-D6.5	14"
RV-82-UD2	11"
RV-82-UD3	11"
RV-82-UD4	14"
RV-82-UD5	14"
RV-82-UD6.5	14"



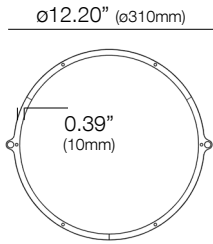
**11" Surface Mount Canopy**



**Center Ring w/Single Wire Hole**



**14" Surface Mount Canopy**

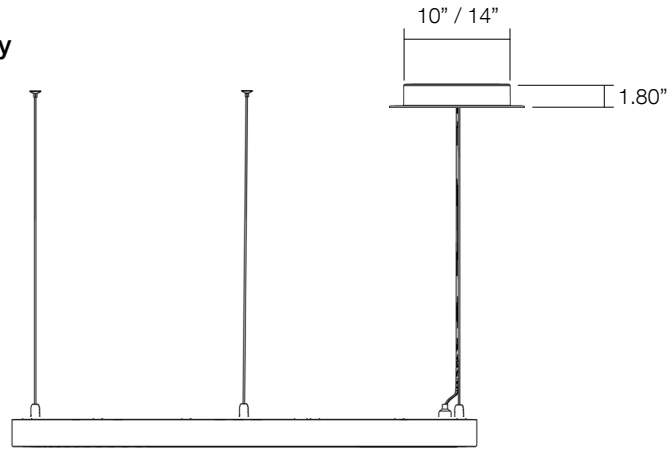


**Center Ring w/Double Wire Hole**

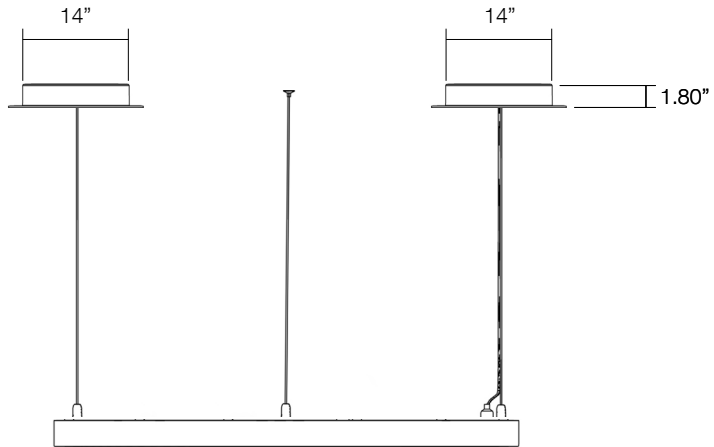
**MOUNTING OPTIONS**

**QM - Quick Mount w/Surface Mount Canopy**

FIXTURE	CANOPY SIZE
RV-82-D2	10"
RV-82-D3	10"
RV-82-D4	10"
RV-82-D5	14"
RV-82-UD2	10"
RV-82-UD3	10"
RV-82-UD4	10"
RV-82-UD5	14"



FIXTURE	CANOPY SIZE
RV-82-D6.5	14"
RV-82-UD6.5	14"



**REVOLVE SERIES | RV-82**

**COLOR CHART** (CHOOSE ONE)

**CC**  
**RAL**

Specify Color Code:  
Specify RAL Color:



GR - Green



BL - Blue



PP - Purple



PK - Pink



RD - Red



OG - Orange



YW - Yellow



MB - Matte Black



GB - Gloss Black



MW - Matte White



GW - Gloss White



OB - Oil Rubbed Bronze



GZ - Gloss Bronze



MS - Matte Silver



MBS - Matte Brass



GBS - Gloss Brass



CNH285 - American Walnut



QL0928 - European Cherry



QL0503 - Light Oak



QL0411 - Maple



QL0908 - Palisander Santos