



Suspended - 48" Luminaire



Surface Mount - 24" Luminaire

**Product Features**

Glow Series - Round shaped architectural luminaire housing from rolled aluminum profile, laser cut and seamlessly welded; available with matte Black, White, Silver or custom RAL finish; offered with steel cable suspension system through surface canopy with power feed cable; or optional height adjustable stem mount (power feed in rod); frosted PMMA lens; emit soft and even direct, direct/indirect illumination; SAMSUNG LED with above 90CRI color rendering; available in 2700K, 3000K, 3500K, 4000K; 85% of luminous flux after 50000 hours; cETLus Damp Location listed; universal power supply with 0-10v dimming capability.

**Technical Specifications**

INPUT VOLTAGE	Universal Input AC120-277V
FREQUENCY	50/60hz
COLOR TEMPERATURE	2700, 3000K, 3500K, 4000K
COLOR RENDERING INDEX	90
DISTRIBUTION	Direct, Direct/Indirect
IP RATING	Damp Location
LIFE SPAN	>50,000 Hours
DIMMING	0-10v Dimming

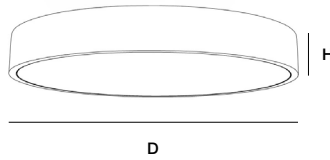




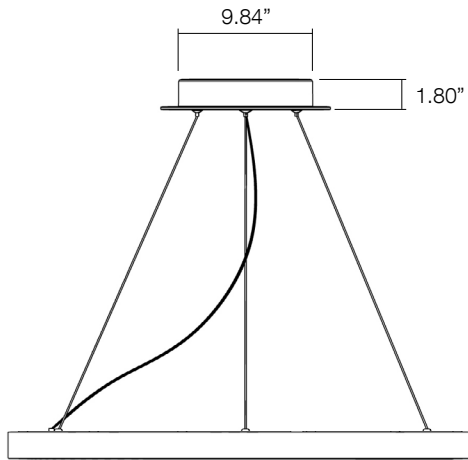
**GLOW SERIES | GL**

**DIMENSIONS**

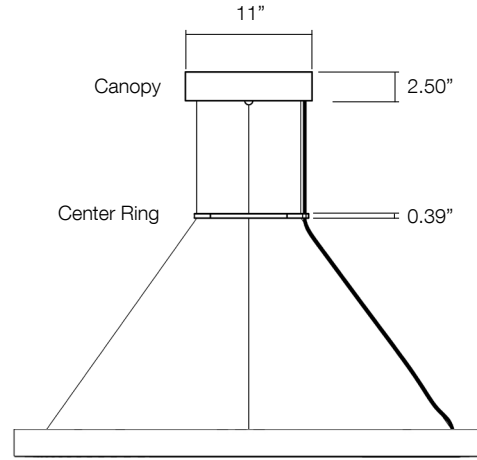
SERIES & SIZE	DIMENSION
GL-R1	D12" x H1.8"
GL-R1.3	D16" x H1.8"
GL-R1.5 / IR1.5	D19" x H3"
GL-R2 / IR2	D24" x H3"
GL-R3 / IR3	D36" x H3"
GL-R4 / IR4	D48" x H3"



**CM - Canopy Mount**



**CM2 - Canopy Mount w/ Center Ring**

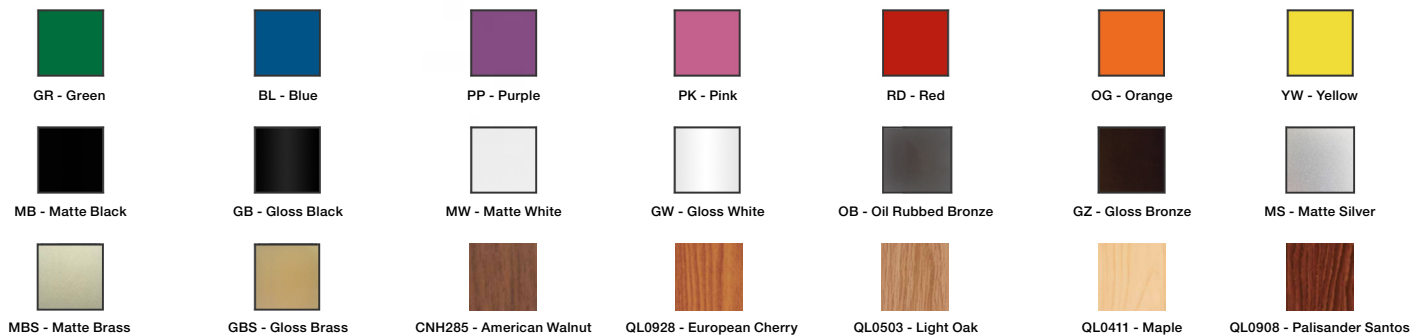


**COLOR CHART** (CHOOSE ONE)

**CC**  
**RAL**

Specify Color Code:

Specify RAL Color:



**EMB SPEC**

Model	Battery Capacity	Input	Output	Output Power	Operating Temp	Installation
EMB-H08170	90mins	100-347VAC	170VDC	8W	0°C ~ 50°C 32°F ~ 122°F	Field Install
EMB-H18170	90mins	100-347VAC	170VDC	18W	0°C ~ 50°C 32°F ~ 122°F	Field Install

