



Product Features

LUX Series LX3.8 architectural linear luminaire housing from 3.8" wide aluminum extruded profile, available in 2, 3, 4 and 8-Ft length with Black, White finish; steel cable suspension system for direct ceiling mounting, with power supply unit integral inside fixture, and power feed cable through the 5-inch junction box cover plate; integral driver, frosted polycarbonate lens; emits even soft direct, direct/indirect facing light for general illumination; >80CRI LED; field selectable CCT in 3000K / 3500K / 4000K; 85% of luminous flux after 50,000 hours; cULus damp location listed; universal input 120-277V power supply with 0-10V dimming capability down to 10%.

Technical Specifications

INPUT VOLTAGE	Universal Input AC120-277V
FREQUENCY	50/60hz
COLOR TEMPERATURE	Field Selectable 3000K / 3500K / 4000K
COLOR RENDERING INDEX	>80
DISTRIBUTION	Direct/Indirect Ratio Field Selectable 100%, 90%/10%, 70%/30%, 50%/50%, 30%/70%, 10%/90%, 100%
IP RATING	Damp Location
LIFE SPAN	>50,000 Hours
DIMMING	0-10V Dimming



LUX SERIES | LX3.8 SUSPENDED

SUBMITTAL WORKSHEET

Order Code Example: **LX3.8 - L2 - SC - QM - WH - WH - LX3.8-CON - EMB-18W-B**

A B C D E F G G

A SERIES (CHOOSE ONE)

LX3.8 LUX Series 3.8" Profile Architectural Linear

B SIZE & OUTPUT (CHOOSE ONE)

CODE	LENGTH	DISTRIBUTION	POWER & LUMEN FIELD SELECTABLE
L2 QS	2FT	Direct 100%	10W / 15W / 20W
L3 QS	3FT	Direct 100%	15W / 23W / 30W
L4 QS	4FT	Direct 100%	20W / 30W / 40W
L8 QS	8FT	Direct 100%	40W / 60W / 80W
CODE	LENGTH	DISTRIBUTION DIRECT/INDIRECT RATIO	FIELD SELECTABLE POWER & LUMEN FIELD SELECTABLE
IL2 QS	2FT	100%, 90%/10%, 70%/30%, 50%/50%, 30%/70%, 10%/90%, 100%	10W / 15W / 20W
IL3 QS	3FT	100%, 90%/10%, 70%/30%, 50%/50%, 30%/70%, 10%/90%, 100%	15W / 23W / 30W
IL4 QS	4FT	100%, 90%/10%, 70%/30%, 50%/50%, 30%/70%, 10%/90%, 100%	20W / 30W / 40W
IL8 QS	8FT	100%, 90%/10%, 70%/30%, 50%/50%, 30%/70%, 10%/90%, 100%	40W / 60W / 80W

C CCT (CHOOSE ONE)

SC **QS** Field Selectable 3000K / 3500K / 4000K

D MOUNTING

QM **QS** 4FT Suspension, 4FT Power Cord, 4.5-inch Round J-Box Plate & 1.6-inch Mounting Plate

QM12 12FT Suspension, 12FT Power Cord, 4.5-inch Round J-Box Plate & 1.6-inch Mounting Plate

E FINISH (CHOOSE ONE)

BK **QS** Black

WH **QS** White

F POWER CORD (CHOOSE ONE)

BK **QS** 4FT Black Power Cord

WH **QS** 4FT White Power Cord

G OPTIONS

blank Integral Driver 120~277V 0-10V Dimming

BAA Assembled in America, Compliant with BAA (COTS)

LX3.8-CON **QS** LUX 3.8" Profile Line Joiner (metal bracket)

LX3.8-CON-L **QS** LUX 3.8" Profile "L" 90DEG Illuminated Corner

T-BAR** **QS** 4" Octagon Box Included, Adjustable T-Bar Clip Suitable for 9/16" Flat, 9/16" Slot, 15/16" Flat T-Bar Grid Spec

LENS-LX3.8-42FT **QS** LUX 3.8" 42FT Continuous Rolling Lens

EMB-18W-B* **QS** Integral 90-Minute Self-Diagnostic Emergency Battery 18W 100-347VAC Input 170VDC Output (For 4FT and 8FT models only)

*see page 5 for EMB spec

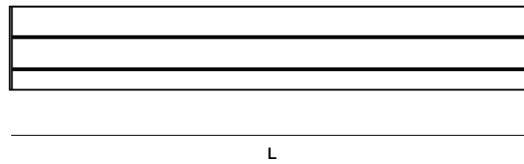
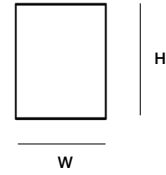
**see page 6 for detail

LUX SERIES | LX3.8 SUSPENDED

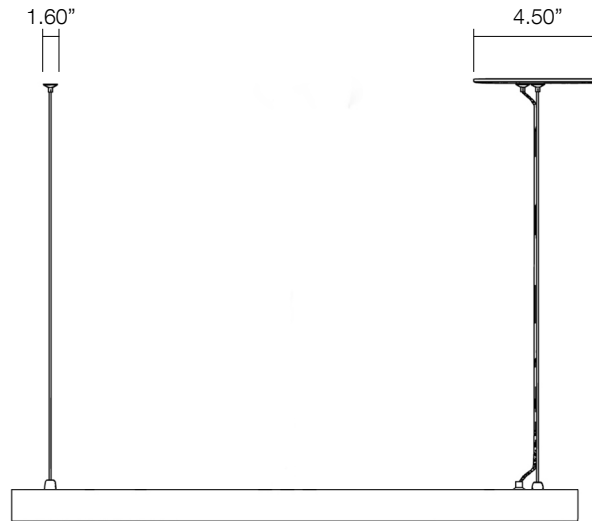
DIMENSIONS

Cross Section

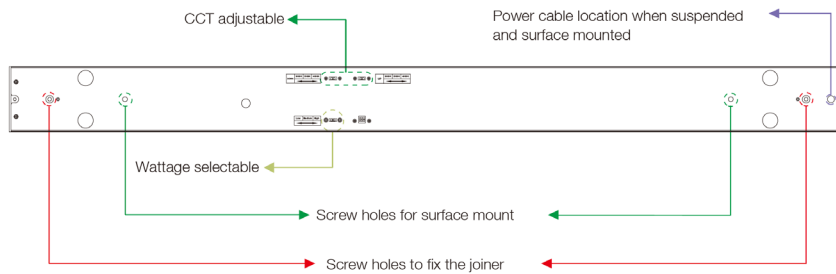
SERIES & SIZE	DIMENSION	Section
LX3.8-L2 / IL2	L23.70" x W3.74" x H3.74"	1
LX3.8-L3 / IL3	L35.71" x W3.74" x H3.74"	1
LX3.8-L4 / IL4	L47.72" x W3.74" x H3.74"	1
LX3.8-L8 / IL8	L95.24" x W3.74" x H3.74"	1



Quick Mount

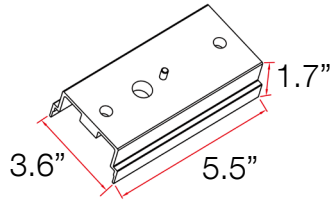


LX3.8 Suspended Profile

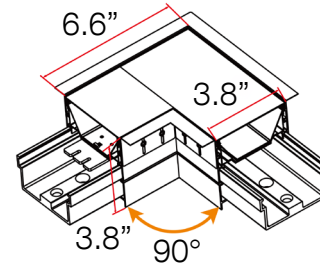


LUX SERIES | LX3.8 SUSPENDED

CONNECTOR DIMENSIONS



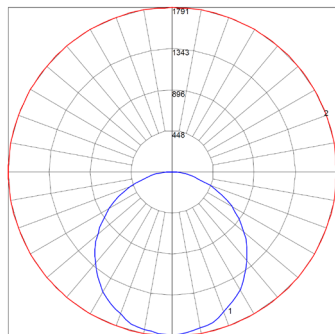
LX3.8-CON
LUX 3.8" Profile Line Joiner (metal bracket)



LX3.8-CON-L
LUX 3.8" Profile "L" 90DEG Illuminated Corner

PHOTOMETRIC

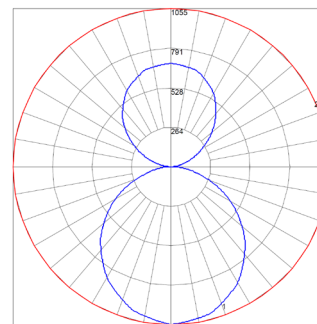
IES: LX3.8-L4SC @ 4000K 40W D-100%



Zone	Lumen	Luminaire%
0-30	1372	28.00
0-40	2240	45.70
0-60	3912	79.80
0-90	4901	100
0-180	4901	100

Lumen: 4901
Input Watts: 43 W
Efficacy: 114 LPW
UGR: 23.4

IES: LX3.8-IL4SC @ 4000K 40W D-50% I-50%



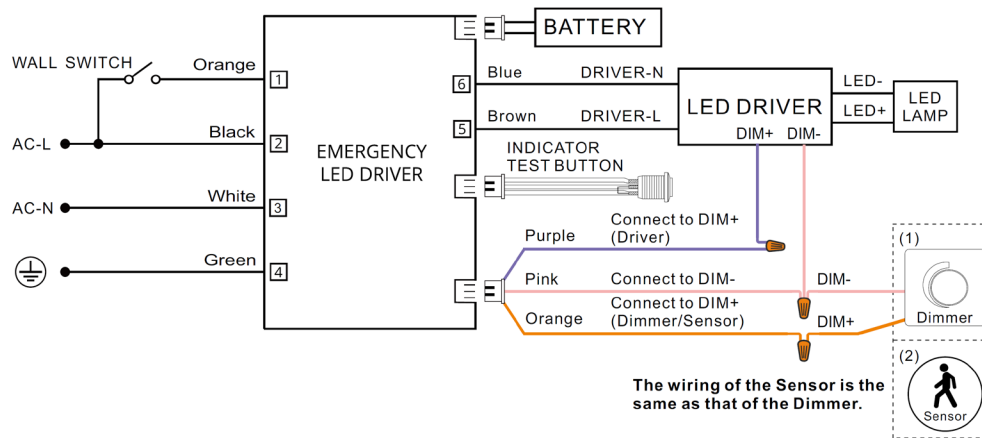
Zone	Lumen	Luminaire%
0-30	805	14.70
0-40	1313	23.90
0-60	2285	41.60
0-90	2928.28	53.30
0-180	5489	100

Lumen: 5489
Input Watts: 41.8 W
Efficacy: 131 LPW
UGR: 23.90

LUX SERIES | LX3.8 SUSPENDED

EMB SPEC

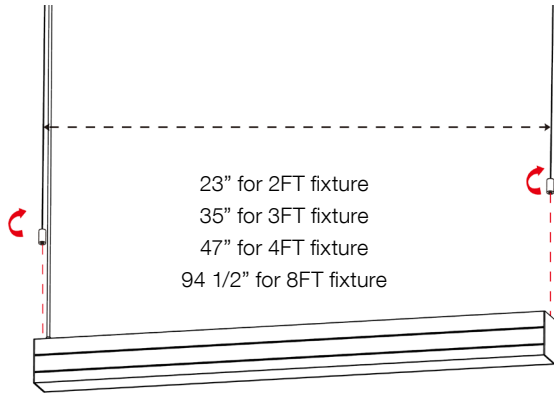
Model	Battery Capacity	Input	Output	Output Power	Operating Temp	Installation
EMB-18W-B	90mins	100-347VAC	170VDC	18W	0°C ~ 50°C 32°F ~ 122°F	Factory or Field Install



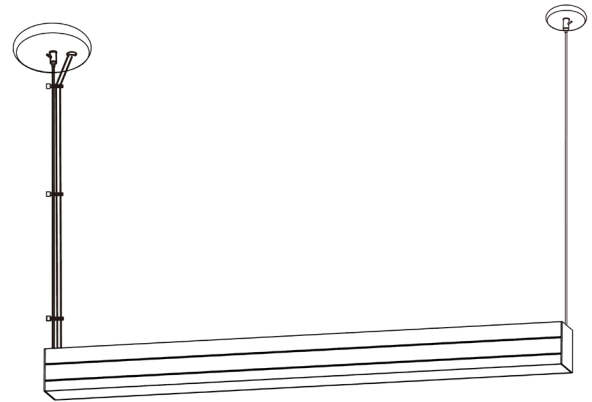
LUX SERIES | LX3.8 SUSPENDED

INSTALLATION

**QUICK MOUNT
PART# QM / QM12**

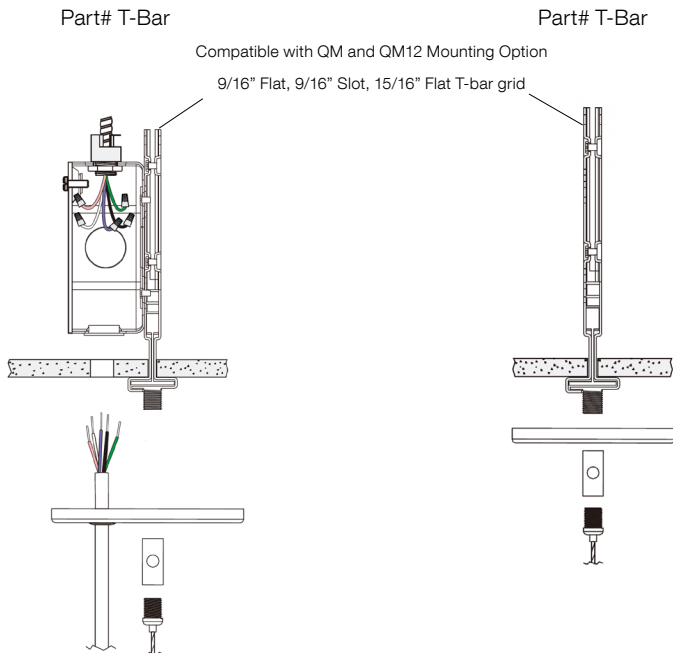


1: Install suspension by rotating adapter clockwise to the top of the fixture.



2: Use cable tie to keep the power feed wire in place next to the suspension cable.

**T-GRID INSTALL
PART# QM-T-BAR / QM12-T-BAR**



Adjustable T-Bar Clip with 4" Octagon Box Attachment for (1) Suspension Point

Adjustable T-Bar Clip for 1.6-inch Mounting Plate Attachment for (1) Suspension Point