



Suspended - 48" Luminaire



Surface Mount - 24" Luminaire

**Product Features**

Dawn Series - Round shaped architectural luminaire housing from rolled aluminum profile, laser cut and seamlessly welded; 5.5" overall height, all around 2" lip below the lens offers excellent cut off and additional accent finish to brighten up the application; available with matte Black, White, Silver or custom RAL finish; offered with steel cable suspension system through surface canopy with power supply unit integral inside fixture; or optional height adjustable stem mount (power feed in rod); frosted PMMA lens; emit soft and even direct, direct/indirect illumination; SAMSUNG LED with above 90CRI color rendering; available in 2700K, 3000K, 3500K, 4000K; 85% of luminous flux after 50000 hours; cETLus Damp Location listed; universal power supply with 0-10v dimming capability.

**Technical Specifications**

INPUT VOLTAGE	Universal Input AC120-277V
FREQUENCY	50/60hz
COLOR TEMPERATURE	2700, 3000K, 3500K, 4000K
COLOR RENDERING INDEX	90
DISTRIBUTION	Direct, Direct/Indirect
IP RATING	Damp Location
LIFE SPAN	>50,000 Hours
DIMMING	0-10v Dimming



## DAWN SERIES | DN

### SUBMITTAL WORKSHEET

Order Code Example: **DN** - **R2** - **35** - **CM** - **MW** - **MB** - **WH** - **OPTIONS**  
 A B C D E F G H

#### A SERIES (CHOOSE ONE)

**DN** Dawn Series Round-Shaped Luminaire

#### B SIZE & OUTPUT (CHOOSE ONE)

CODE	DISTRIBUTION	POWER & LUMEN	LPW	DIMENSION	SUSPENSION	DRIVER
<b>R2</b>	Direct	40W 3,400lm	85	D24" x H5.5"	3	1
<b>R3</b>	Direct	90W 7,650lm	85	D36" x H5.5"	3	2
<b>R4</b>	Direct	180W 15,300lm	85	D48" x H5.5"	4	3
<b>IR2</b>	Direct / Indirect	80W 6,800lm	85	D24" x H5.5"	3	2
<b>IR3</b>	Direct / Indirect	120W 10,200lm	85	D36" x H5.5"	3	3
<b>IR4</b>	Direct / Indirect	220W 18,700lm	85	D48" x H5.5"	4	4

#### C CCT (CHOOSE ONE)

<b>27</b>	2700K	<b>35</b>	3500K
<b>30</b>	3000K	<b>40</b>	4000K

#### D MOUNTING (CHOOSE ONE)

<b>CM</b>	5FT Steel Cable, 10-Inch Surface Mount Canopy, Integral Driver
<b>CM2</b>	5FT Steel Cable, 11-Inch/14-Inch Surface Mount Canopy w/Center-Ring, Integral Driver
<b>SM</b>	Surface Mount, Integral Power
<b>STM</b>	60" Stem Mount, Power Feed in Rod, Integral Power (NOT COMPATIBLE WITH DIRECT/INDIRECT MODEL)

#### E FINISH (CHOOSE ONE)

<b>MB</b>	Black	<b>MS</b>	Silver
<b>MW</b>	White	<b>CC*</b>	Customized Color

\*see Customized Color Chart on pg 3

#### F FINISH - 2" LIP (CHOOSE ONE)

<b>blank</b>	Same Finish as Main Body	<b>MS</b>	Silver
<b>MB</b>	Black	<b>CC*</b>	Customized Color
<b>MW</b>	White		*see Customized Color Chart on pg 4

#### G POWER CORD (CHOOSE ONE)

<b>BK</b>	5FT Black Power Cord
<b>WH</b>	5FT White Power Cord

#### H OPTIONS

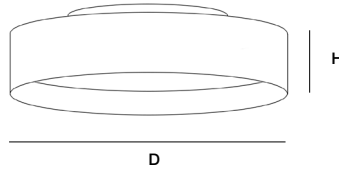
<b>blank</b>	120/277V 0-10V Dimming
<b>FAD</b>	Customized Output (Consult Factory)
<b>EMB-H08170*</b>	Self-Diagnostic Emergency Battery 8W 100-347VAC Input 170VDC Output
<b>EMB-H18170*</b>	Self-Diagnostic Emergency Battery 18W 100-347VAC Input 170VDC Output

\*see page 5 for spec

**DAWN SERIES | DN**

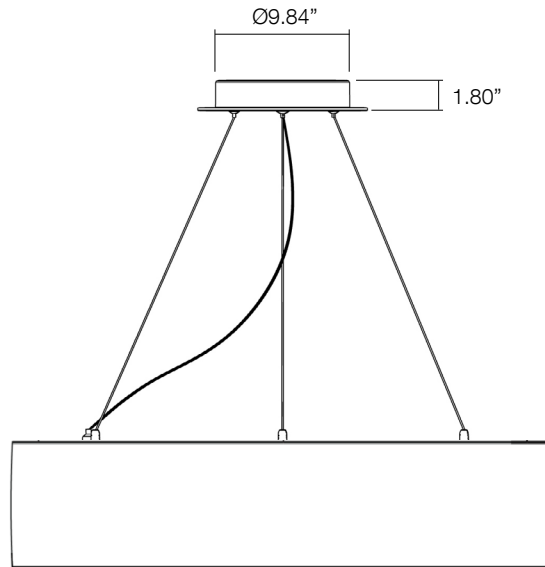
**DIMENSIONS**

SERIES & SIZE	DIMENSION
DN-R2 / IR2	D24" x H5.5"
DN-R3 / IR3	D36" x H5.5"
DN-R4 / IR4	D48" x H5.5"



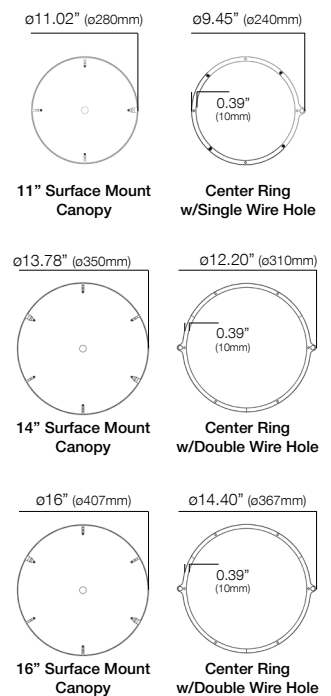
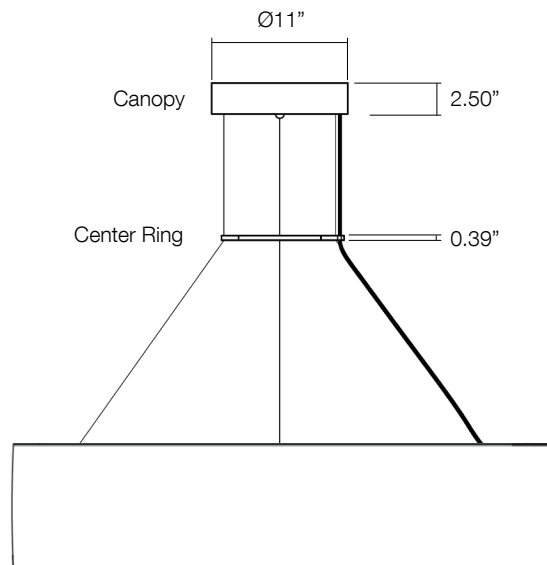
**CM - Canopy Mount**

FIXTURE	CANOPY SIZE
DN-R2-IR2	10"
DN-R3-IR3	10"
DN-R3-IR3	10"



**CM2 - Canopy Mount w/Center Ring**

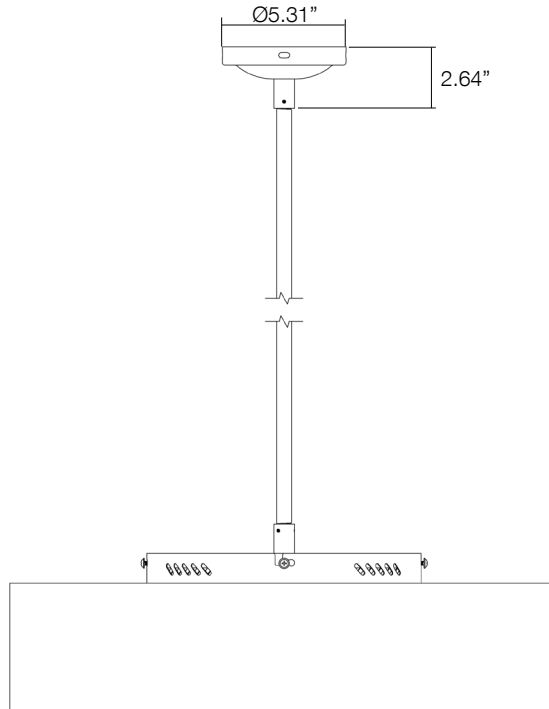
FIXTURE	CANOPY SIZE
DN-R2	11"
DN-R3	11"
DN-R4	14"
DN-IR2	14"
DN-IR3	14"
DN-IR4	16"



**DIMENSIONS**

**Stem Mount**

(NOT COMPATIBLE WITH DIRECT/INDIRECT MODEL)



**COLOR CHART** (CHOOSE ONE)

**CC**  
**RAL**

Specify Color Code:  
Specify RAL Color:

						
GR - Green	BL - Blue	PP - Purple	PK - Pink	RD - Red	OG - Orange	YW - Yellow
						
MB - Matte Black	GB - Gloss Black	MW - Matte White	GW - Gloss White	OB - Oil Rubbed Bronze	GZ - Gloss Bronze	MS - Matte Silver
						
MBS - Matte Brass	GBS - Gloss Brass	CNH285 - American Walnut	QL0928 - European Cherry	QL0503 - Light Oak	QL0411 - Maple	QL0908 - Palisander Santos

**DAWN SERIES | DN**

**EMB SPEC**

Model	Battery Capacity	Input	Output	Output Power	Operating Temp	Installation
EMB-H08170	90mins	100-347VAC	170VDC	8W	0°C ~ 50°C 32°F ~ 122°F	Field Install
EMB-H18170	90mins	100-347VAC	170VDC	18W	0°C ~ 50°C 32°F ~ 122°F	Field Install

