



8" Downlight Assembly with Housing

Product Features

Helios Series Performance Downlight represents the new generation of the ALLURE line, featuring field-selectable CCT and lumen package functions. Elevate your space with customizable brilliance, combining energy efficiency, flicker-free illumination, and the flexibility to tailor the lighting to your specific needs. >80CRI; 88% of luminous flux after 50000 hours; cULus listed for damp location, universal power supply 0-10v dimming capability.

Technical Specifications

INPUT VOLTAGE	AC120-277V	
FREQUENCY	50/60hz	
LUMEN	1500 ~ 3500LM	4200 ~ 6800LM
WATTAGE	18 / 27 / 40W	50 / 65 / 80W
LPW	84	
COLOR TEMPERATURE	3000K / 3500K / 4000K	
COLOR RENDERING INDEX	>90	
DISTRIBUTION	45° Downlight	
IP RATING	Damp Location	
LIFE SPAN	>50,000 Hours	
DIMMING	0-10v Dimming	



HELIOS SERIES | 6 / 8 / 10" Performance Downlight

SUBMITTAL WORKSHEET

Order Code Example: LIGHT ENGINE

HL - 40SC

A B

Order Code Example: TRIM

HL-6DR-WH

C

Order Code Example: MOUNTING / EMB

HL6-NCR

EMB-H08170

D

E

A SERIES (CHOOSE ONE)

HL Helios Series Performance Downlight

B LIGHT ENGINE (CHOOSE ONE)

STANDARD OUTPUT

CODE	POWER	CCT	LPW
40SC QS	Field Selectable 18 / 27 / 40W	Field Selectable 3000K / 3500K / 4000K	90 Avg.

HIGH OUTPUT

CODE	POWER	CCT	LPW
8035 QS	Field Selectable 50 / 65 / 80W	3500K	89 Avg.
8040 QS	Field Selectable 50 / 65 / 80W	4000K	89 Avg.

C TRIM (CHOOSE ONE)

HL6-DR-WH QS	6" Round Cone, Deep Regressed Trim, Smooth White
HL8-DR-WH QS	8" Round Cone, Deep Regressed Trim, Smooth White
HL10-DR-WH QS	10" Round Cone, Deep Regressed Trim, Smooth White

D HOUSING (CHOOSE ONE)

blank QS	No Housing, Retrofit Application, 120-277V Input, 0-10V Dimming
HL6-NCR QS	6" New Construction Housing, 120-277V Input, 0-10V Dimming
HL8-NCR QS	8" New Construction Housing, 120-277V Input, 0-10V Dimming
HL10-NCR QS	10" New Construction Housing, 120-277V Input, 0-10V Dimming

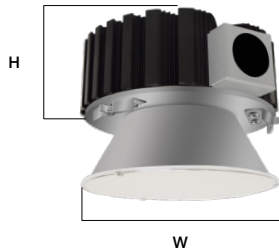
E EMERGENCY BATTERY (CHOOSE ONE)

EMB-H08170 QS	90-Minute Self-Diagnostic Emergency Battery 8W 100-347VAC Input 170VDC Output
EMB-H18170 QS	90-Minute Self-Diagnostic Emergency Battery 18W 100-347VAC Input 170VDC Output

HELIOS SERIES | 6 / 8 / 10" Performance Downlight

DIMENSIONS

CODE	DIMENSION	
	H	W
HL-40SC	1.57"	ø 3.29"
HL-8035 / 8040	3.94"	ø 3.29"



HL-40SC Standard Output Engine

LED Chip: Samsung

Power: Field Selectable 18 / 27 / 40W

Quality: >80 CRI, 3-step SDCM

CCT: Field Selectable 3000K / 3500K / 4000K

Distribution: 45°

Input: 120~277V, 50/60Hz

Dimming: 0-10V Dimming, continuous dimming to 10%

Dimmer: Tested with Lutron Diva-DVTV, Leviton IP-710-DL

Power Factor: Greater than 0.9

Ambient Operating Temperature: -20C° to 40°C

Lifetime: 50,000 hours at 70% lumen maintenance

Listing: cULus Damp Location

IC Rating: IC Rated



HL-8035 / 8040 High Output Engine

LED Chip: Samsung

Power: Field Selectable 50 / 65 / 80W

Quality: >80 CRI, 3-step SDCM

CCT: 3500K or 4000K

Distribution: 45°

Input: 120~277V, 50/60Hz

Dimming: 0-10V Dimming, continuous dimming to 10%

Dimmer: Tested with Lutron Diva-DVTV, Leviton IP-710-DL

Power Factor: Greater than 0.9

Ambient Operating Temperature: -20C° to 40°C

Lifetime: 50,000 hours at 70% lumen maintenance

Listing: cULus Damp Location, Non-IC

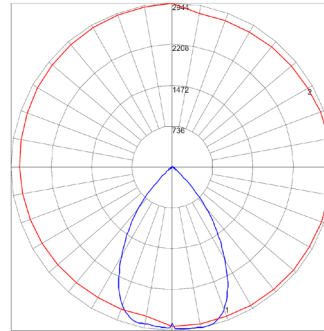
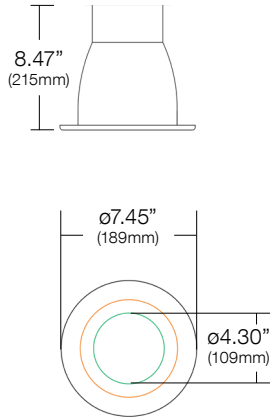
IC Rating: Non-IC Rated

HELIOS SERIES | 6 / 8 / 10" Performance Downlight

DIMENSIONS - TRIMS

HL6-DR-WH - 6" Round Deep Regressed Trim, Smooth White

IES: HL-40SC - HL6-DR-WH @ 40W 3000K

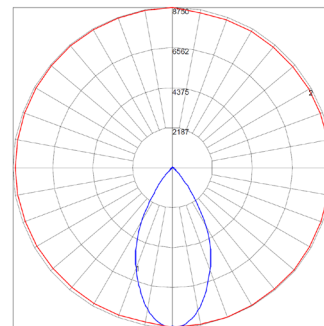
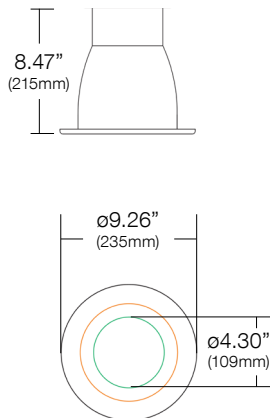


Zone	Lumen	Luminaire%
0-30	2118	61.50
0-40	2990	86.80
0-60	3414	99.10
0-90	3434	99.70
0-180	3444	100

Lumen: 3444
Input Watts: 40 W
Efficacy: 81 LPW
UGR: 8.6

HL8-DR-WH - 8" Round Deep Regressed Trim, Smooth White

IES: HL-8035 - HL8-DR-WH @ 80W 3500K



Zone	Lumen	Luminaire%
0-30	4870	72.30
0-40	6181	91.80
0-60	6664	99.00
0-90	6714	99.70
0-180	6733	100

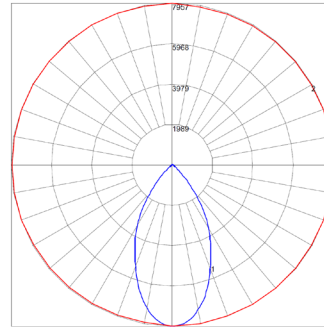
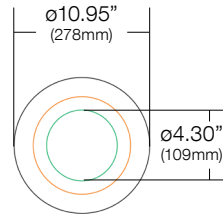
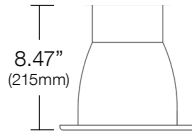
Lumen: 6733
Input Watts: 80 W
Efficacy: 84 LPW
UGR: 11.1

HELIOS SERIES | 6 / 8 / 10" Performance Downlight

DIMENSIONS - TRIMS

HL10-DR-WH - 10" Round Deep Regressed Trim, Smooth White

IES: HL-8035 - HL10-DR-WH @ 80W 3500K



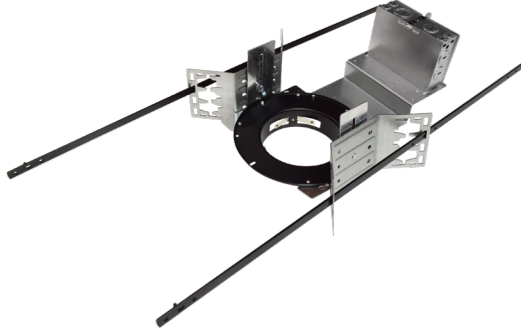
Zone	Lumen	Luminaire%
0-30	4512	66.30
0-40	6064	89.10
0-60	6750	99.10
0-90	6789	99.70
0-180	6808	100

Lumen: 6808
 Input Watts: 80 W
 Efficacy: 85 LPW
 UGR: 7.9

HELIOS SERIES | 6 / 8 / 10" Performance Downlight

DIMENSIONS - HOUSING

New Construction Housing

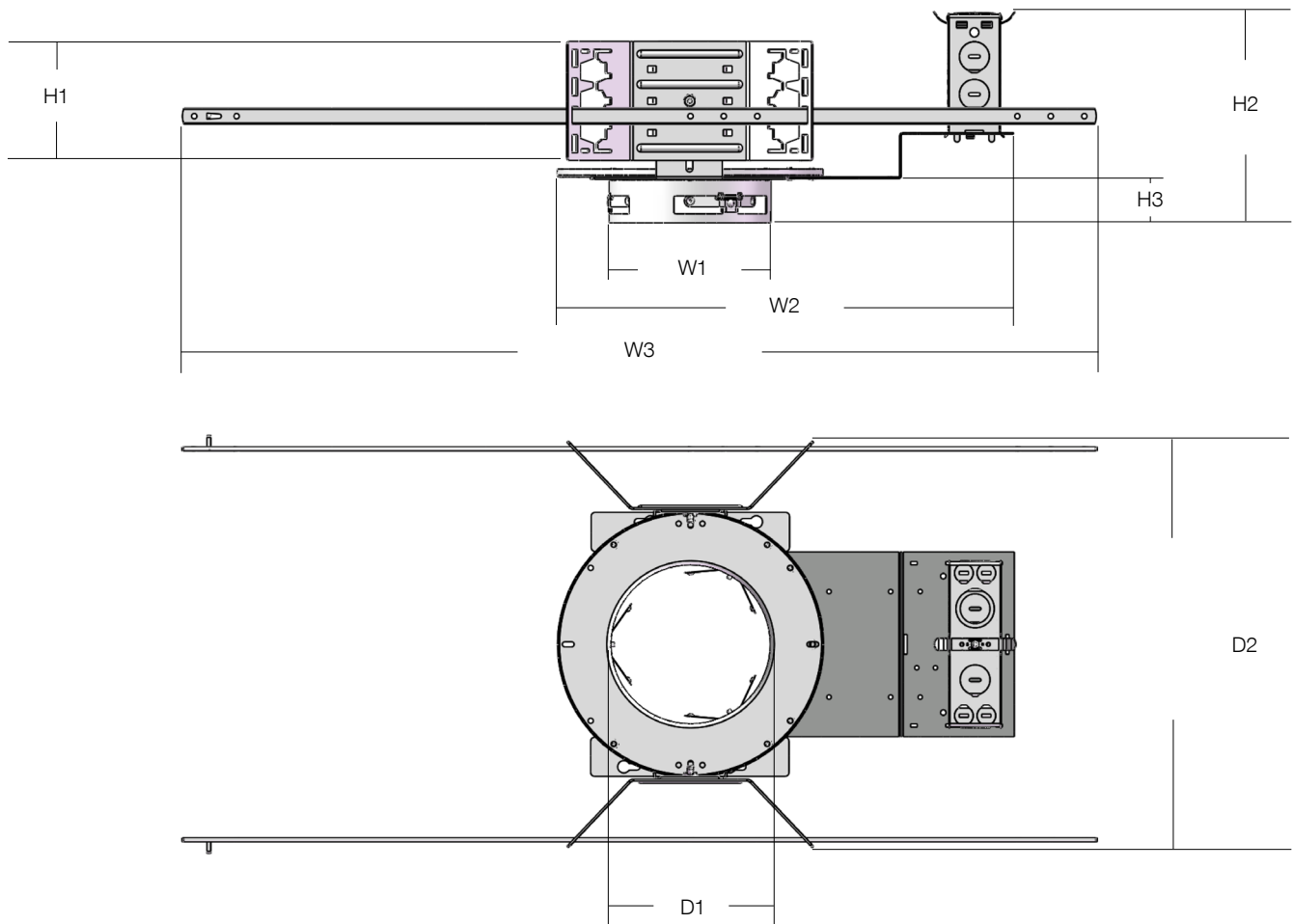


HOUSING CUTOUT DIMENSION

Housing	Cutout Size
6" - HL6-NCR	Round 6" min. to 6.7" max.
8" - HL8-NCR	Round 7.7" min. to 8.4" max.
10" - HL10-NCR	Round 10" min. to 10.7" max.

Dimension

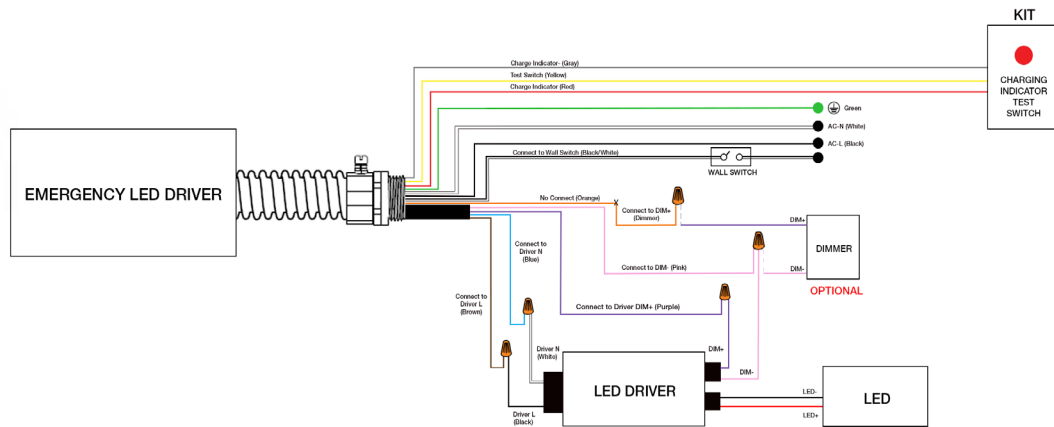
Housing	H1	H2	H3	W1	W2	W3	D1	D2
6" - HL6-NCR	3.55"	6.29"	1.37"	ø 6.37"	13.83"	27.24"	ø 6.37"	12.13"
8" - HL8-NCR	3.55"	6.29"	1.37"	ø 7.72"	14.85"	27.24"	ø 7.72"	13.31"
10" - HL10-NCR	3.55"	6.29"	1.37"	ø 9.54"	16.12"	27.24"	ø 9.54"	15.00"



HELIOS SERIES | 6 / 8 / 10" Performance Downlight

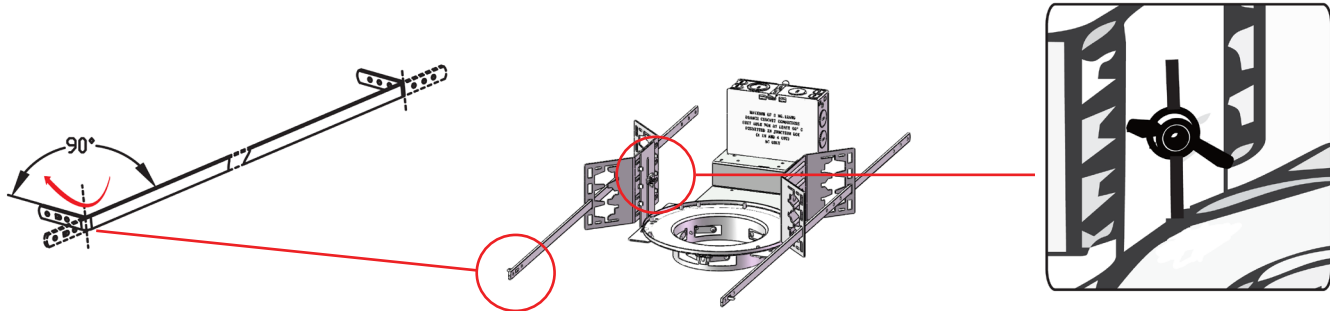
EMB SPEC

Model	Battery Capacity	Input	Output	Output Power	Operating Temp	Installation
EMB-H08170	90mins	100-347VAC	170VDC	8W	0°C ~ 50°C 32°F ~ 122°F	Field Install
EMB-H18170	90mins	100-347VAC	170VDC	18W	0°C ~ 50°C 32°F ~ 122°F	Field Install



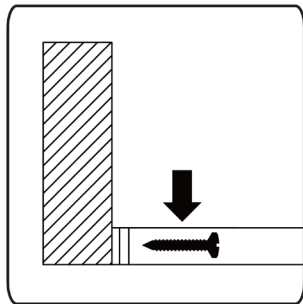
HELIOS SERIES | 6 / 8 / 10" Performance Downlight

INSTALLATION

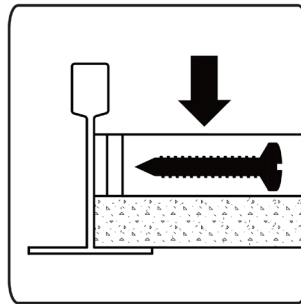


Bend the support brackets (length determined by installer) Secure with Screw (Fig 4 & 5)

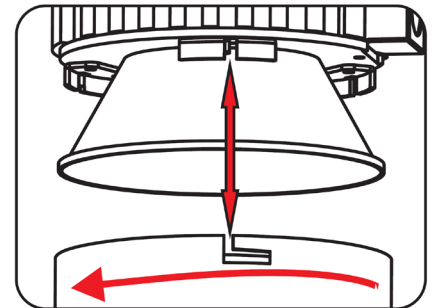
Use wing nut to adjust height of housing frame



Wood



T-Bar



Line up trim and engine, turn clockwise to lock

HOUSING CUTOUT DIMENSION

Housing	Cutout Size
6" - HL6-NCR	Round 6" min. to 6.7" max.
8" - HL8-NCR	Round 7.7" min. to 8.4" max
10" - HL10-NCR	Round 10" min. to 10.7" max