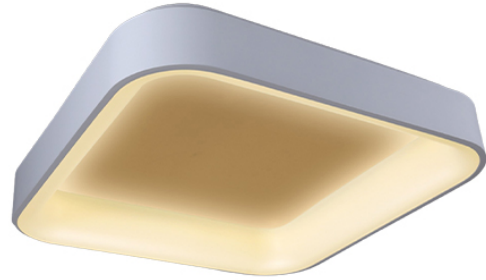




Suspended



Surface Mount

**Product Features**

Aeris Series - Square shaped versatile architectural luminaire housing from aluminum extruded profile; available with standard matte black, matte white, or custom RAL finish; available with 5FT steel cable suspension system through surface canopy or direct ceiling mount; power supply unit to be installed in canopy or remote; entire luminaire homogeneously illuminated, with Anti-UV PMMA lens; SAMSUNG LED with above 90CRI; available in 3000K, 3500K, and 4000K, 70% of luminous flux after 50000 hours; ETL damp location listed; universal power supply with 0-10V dimming capability.

**Technical Specifications**

|                       |                             |
|-----------------------|-----------------------------|
| INPUT VOLTAGE         | Universal Input AC120-277V  |
| FREQUENCY             | 50/60hz                     |
| COLOR TEMPERATURE     | 3000K, 3500K, 4000K         |
| COLOR RENDERING INDEX | 90                          |
| DISTRIBUTION          | Direct                      |
| IP RATING             | Damp Location               |
| LIFE SPAN             | 50,000 Hours                |
| DIMMING               | 0-10V Dimming, Non-Dimmable |

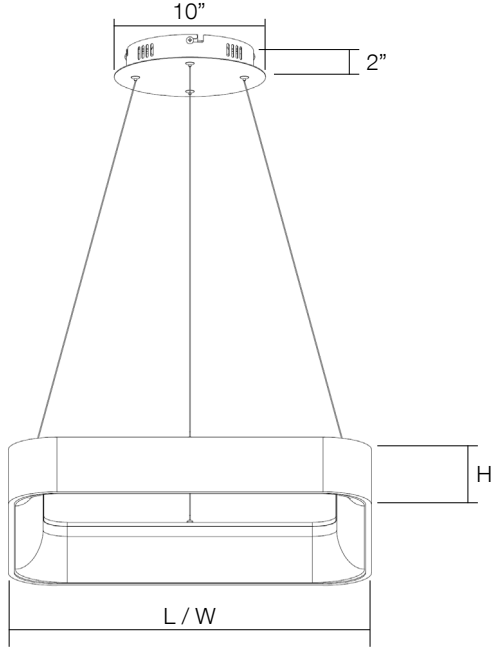




**AERIS SERIES | AE Square**

**DIMENSIONS**

**AERIS Square - Quick Mount**



**FIXTURE MODEL**

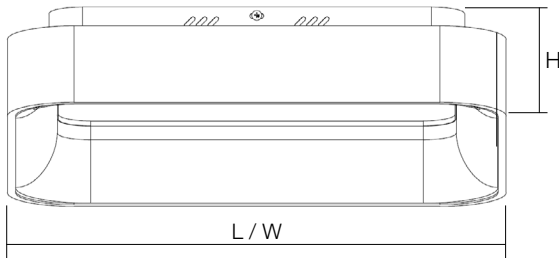
- AE-S1.2
- AE-S1.5
- AE-S2
- AE-S2.6

**DIMENSION**

- L14.2" x W14.2" x H3.5"
- L17.7" x W17.7" x H3.5"
- L23.6" x W23.6" x H3.5"
- L31.5" x W31.5" x H3.5"

D = Outer Diameter

**AERIS Square - Surface Mount**



**FIXTURE MODEL**

- AE-S1.2
- AE-S1.5
- AE-S2
- AE-S2.6

**DIMENSION**

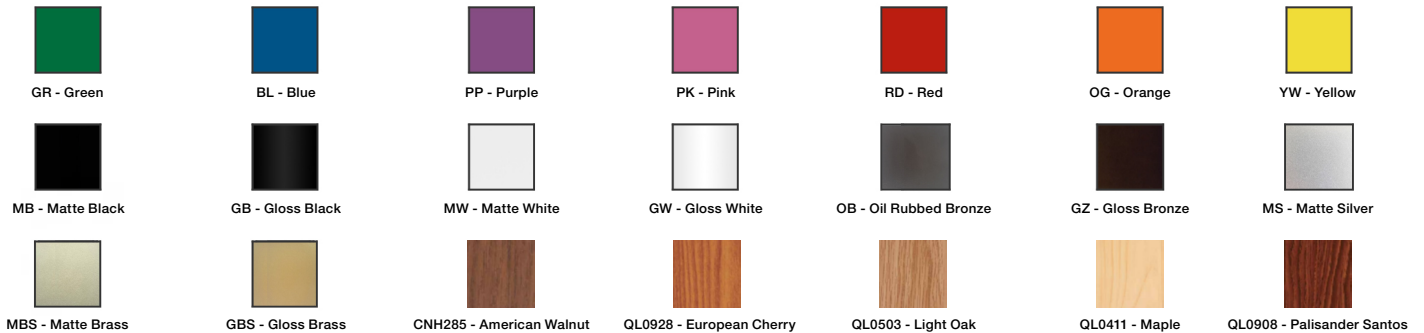
- L14.2" x W14.2" x H4.6"
- L17.7" x W17.7" x H4.6"
- L23.6" x W23.6" x H4.6"
- L31.5" x W31.5" x H4.6"

D = Outer Diameter

**COLOR CHART** (CHOOSE ONE)

**CC**  
**RAL**

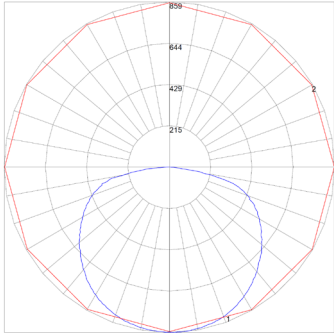
Specify Color Code:  
Specify RAL Color:



**AERIS SERIES | AE Square**

**PHOTOMETRIC**

IES: AE-S2 D-100% @ 36W

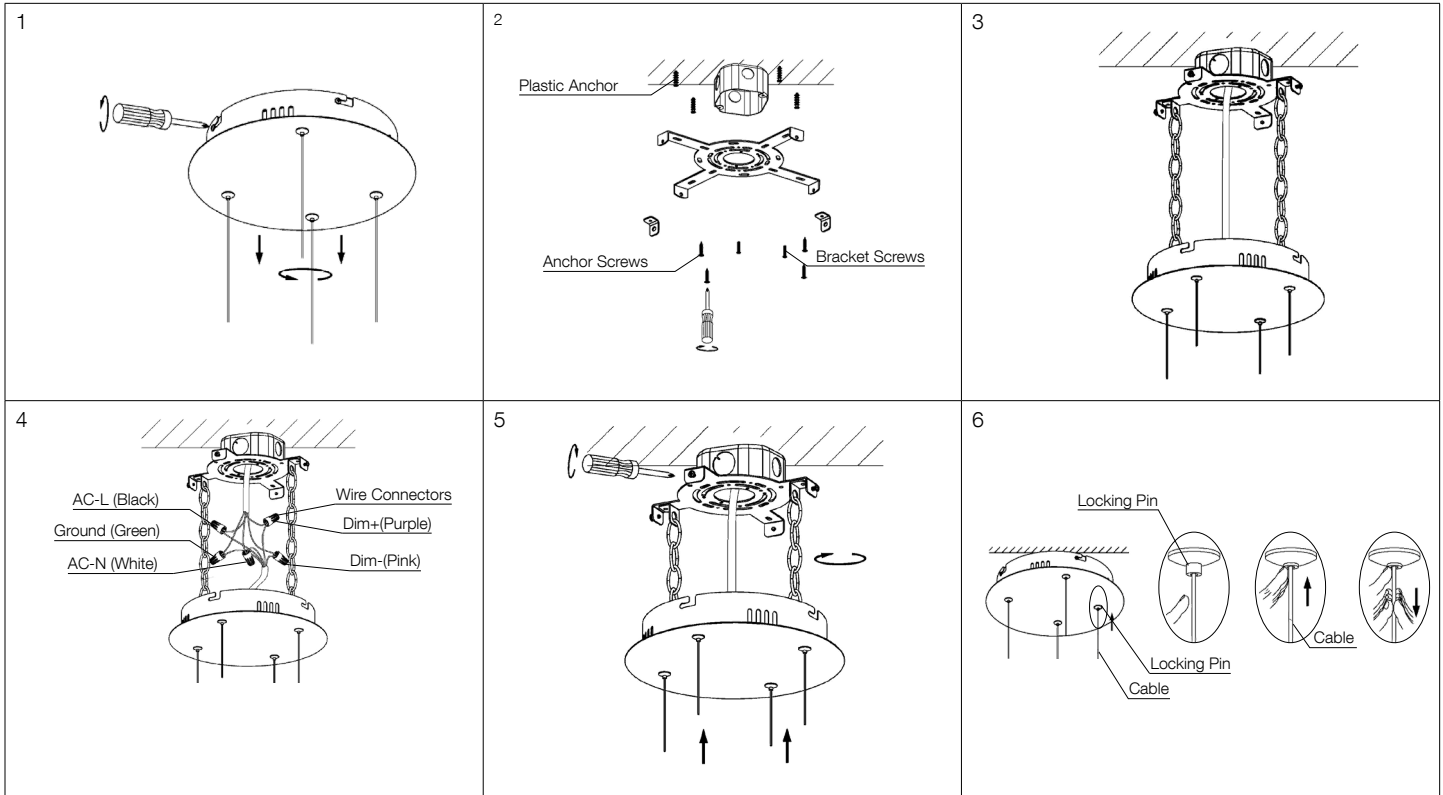


| Zone  | Lumen | Luminaire% |
|-------|-------|------------|
| 0-30  | 686   | 22.10      |
| 0-40  | 1150  | 37.10      |
| 0-60  | 2184  | 70.40      |
| 0-90  | 3105  | 100        |
| 0-180 | 3105  | 100        |

Lumen: 3105  
 Input Watts: 35.03 W  
 Efficacy: 89 LPW

**INSTALLATION**

**Quick Mount Installation**



Step 1: Use Screw driver to relief the Screws between Mounting Canopy and Bracket from side.

Step 2: Remove Plastic Anchors. Drill four or six  $\varnothing 6$  mm ceiling holes according to the Mounting Bracket (six holes if fixture is  $\geq 24'' \times 24''$ ). Insert Plastic Anchors. Secure Mounting Bracket to J-Box using two M4 $\times$ 25 mm Bracket Screws.

Step 3: Use 4pcs M4 $\times$ 25 Self-Tapping Anchor Screws to fix Mounting Bracket on the ceiling.

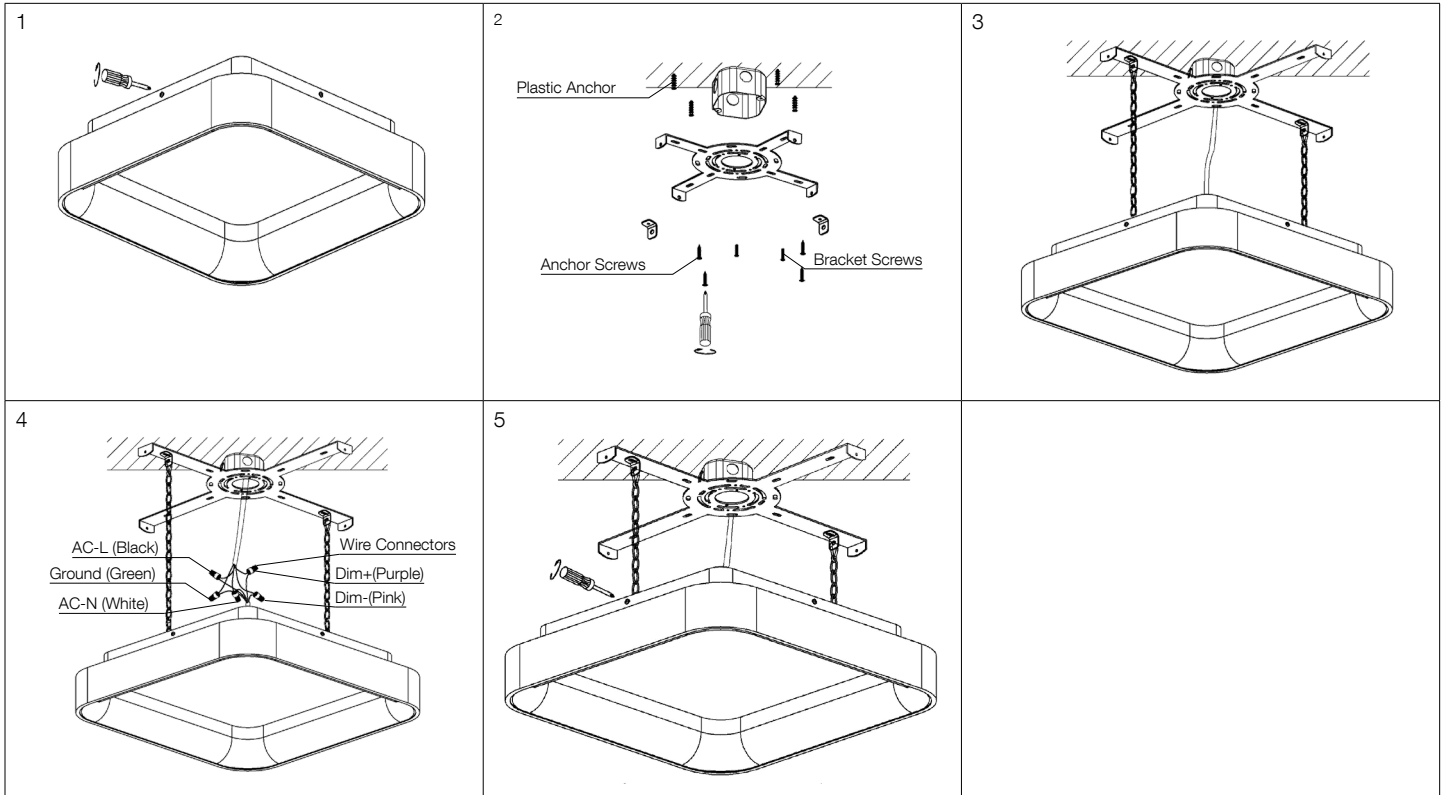
Step 4: Use wire connectors to connect L,N,G,DIM+,DIM- wires. After finish, put all wires with connector into J-Box.

Step 5: Use Screw driver to adjust Mounting Bracket and Mounting Canopy.

Step 6: Adjust the fixture safety cable and Aircraft cable length. Then loosen all the cables to finish installation.

**INSTALLATION**

**Surface Mount Installation**



Step 1: Use Screw driver to relief the Screws between Mounting Canopy and Bracket from side.

Step 2: Remove Plastic Anchors. Drill four or six  $\varnothing 6$  mm ceiling holes per Mounting Bracket (six holes if fixture diameter is  $\geq 24'' \times 24''$ ).  
Insert Plastic Anchors. Secure Mounting Bracket to J-Box using two M4 $\times$ 25 mm Bracket Screws.  
Note: J-Box: Garvin 54171-S or equivalent; Bracket Screws by others.

Step 3: Use 4pcs M4 $\times$ 25 Self-Tapping Anchor Screws to fix Mounting Bracket on the ceiling.

Step 4: Use wire connectors to connect L,N,G,DIM+,DIM- wires. After finish, put all wires with connector into J-Box.

Step 5: Keep the Slot hole as vertical line with Side screw, and make screw into slot, then rotate lamp body to secure and finish installation.