



Product Features

LUX Series LX2.3 architectural linear luminaire housing from 2.3" wide aluminum extruded profile, available in 2, 3, 4 and 8-Ft length with Black, White finish; steel cable suspension system for direct ceiling mounting, with power supply unit integral inside fixture, and power feed cable through the 5-inch junction box cover plate; integral driver, frosted polycarbonate lens; emits even soft direct, direct/indirect facing light for general illumination; >80CRI LED; field selectable CCT in 3000K / 3500K / 4000K; 85% of luminous flux after 50,000 hours; cULus damp location listed; universal input 120-277V power supply with 0-10V dimming capability down to 10%.

Technical Specifications

INPUT VOLTAGE	Universal Input AC120-277V
FREQUENCY	50/60hz
COLOR TEMPERATURE	Field Selectable 3000K / 3500K / 4000K
COLOR RENDERING INDEX	>80
DISTRIBUTION	Direct/Indirect Ratio Field Selectable 100%, 90%/10%, 70%/30%, 50%/50%, 30%/70%, 10%/90%, 100%
IP RATING	Damp Location
LIFE SPAN	>50,000 Hours
DIMMING	0-10V Dimming



LUX SERIES | LX2.3 SUSPENDED

SUBMITTAL WORKSHEET

Order Code Example: LX2.3 - L2 - SC - QM - WH - WH
 A B C D E F

A SERIES (CHOOSE ONE)

LX2.3 LUX Series 2.3" Profile Architectural Linear

B SIZE & OUTPUT (CHOOSE ONE)

CODE	LENGTH	DISTRIBUTION	POWER & LUMEN FIELD SELECTABLE
L2 QS	2FT	Direct 100%	10W / 15W / 20W
L3 QS	3FT	Direct 100%	15W / 23W / 30W
L4 QS	4FT	Direct 100%	20W / 30W / 40W
L8 QS	8FT	Direct 100%	40W / 60W / 80W
CODE	LENGTH	DISTRIBUTION DIRECT/INDIRECT RATIO	FIELD SELECTABLE POWER & LUMEN FIELD SELECTABLE
IL2 QS	2FT	100%, 90%/10%, 70%/30%, 50%/50%, 30%/70%, 10%/90%, 100%	10W / 15W / 20W
IL3 QS	3FT	100%, 90%/10%, 70%/30%, 50%/50%, 30%/70%, 10%/90%, 100%	15W / 23W / 30W
IL4 QS	4FT	100%, 90%/10%, 70%/30%, 50%/50%, 30%/70%, 10%/90%, 100%	20W / 30W / 40W
IL8 QS	8FT	100%, 90%/10%, 70%/30%, 50%/50%, 30%/70%, 10%/90%, 100%	40W / 60W / 80W

C CCT (CHOOSE ONE)

SC **QS** Field Selectable 3000K / 3500K / 4000K

D MOUNTING

QM **QS** 4FT Suspension, 4FT Power Cord, 4.5-inch Round J-Box Plate & 1.6-inch Mounting Plate
 QM12 12FT Suspension, 12FT Power Cord, 4.5-inch Round J-Box Plate & 1.6-inch Mounting Plate

E FINISH (CHOOSE ONE)

BK **QS** Black
 WH **QS** White

F POWER CORD (CHOOSE ONE)

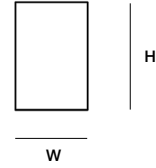
BK **QS** 4FT Black Power Cord
 WH **QS** 4FT White Power Cord

LUX SERIES | LX2.3 SUSPENDED

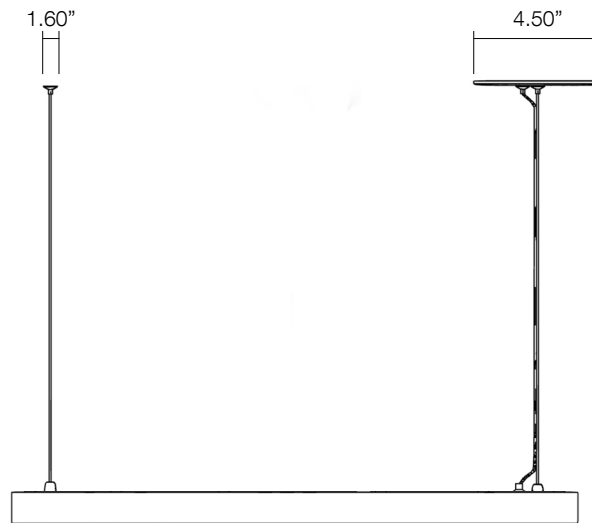
DIMENSIONS

Cross Section

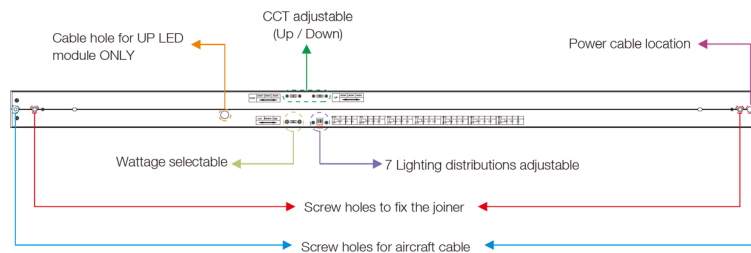
SERIES & SIZE	DIMENSION	Section
LX2.3-L2 / IL2	L23.70" x W2.34" x H3.46"	1
LX2.3-L3 / IL3	L35.71" x W2.34" x H3.46"	1
LX2.3-L4 / IL4	L47.72" x W2.34" x H3.46"	1
LX2.3-L8 / IL8	L95.24" x W2.34" x H3.46"	1



Quick Mount

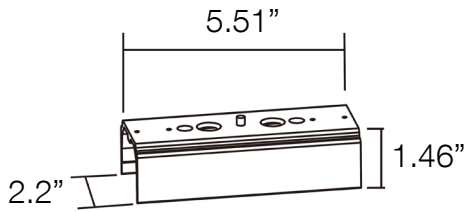


LX2.3 Profile

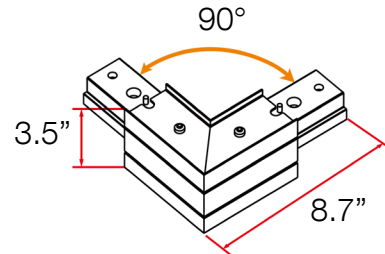


LUX SERIES | LX2.3 SUSPENDED

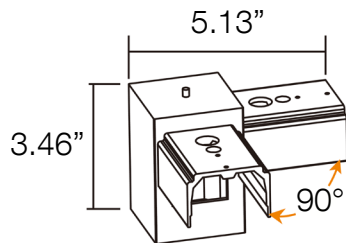
CONNECTOR DIMENSIONS



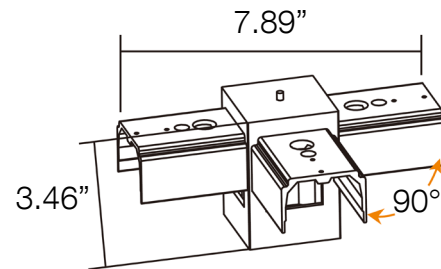
LX2.3-CON
LUX 2.3" Profile Line Joiner (metal bracket)



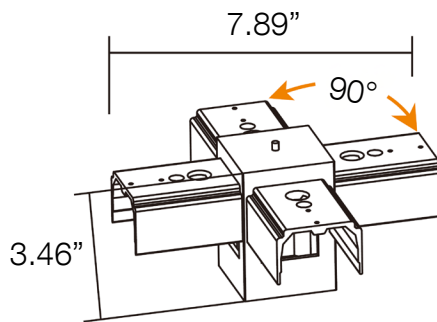
LX2.3-CON-L
LUX 2.3" Profile "L" 90DEG Illuminated Corner



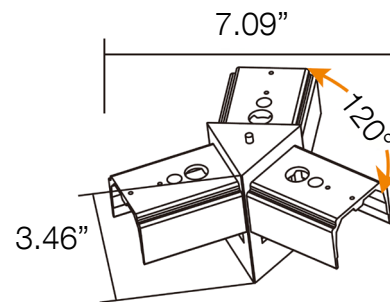
LX2.3-CON-N-L
LUX 2.3" Profile "T" 90DEG NonLit Corner (metal bracket)



LX2.3-CON-N-T
LUX 2.3" Profile "T" 90DEG NonLit Corner (metal bracket)



LX2.3-CON-N-X
LUX 2.3" Profile "X" 90DEG NonLit Corner (metal bracket)



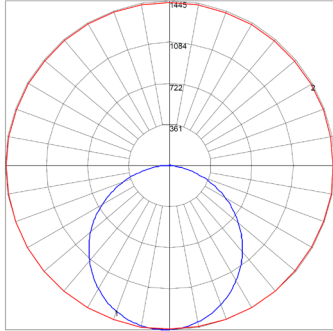
LX2.3-CON-N-Y
LUX 2.3" Profile "Y" 120DEG NonLit Corner (metal bracket)

LUX SERIES | LX2.3 SUSPENDED

PHOTOMETRIC

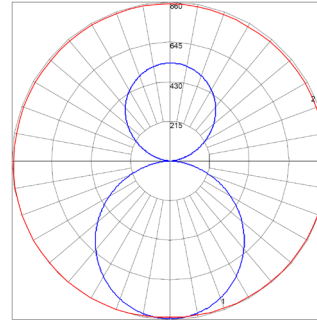
IES: LX2.3-L4SC @ 4000K 40W D-100%

IES: LX2.3-IL4SC @ 4000K 40W D-50% I-50%



Zone	Lumen	Luminaire%
0-30	1115	27.40
0-40	1822	44.80
0-60	3211	78.90
0-90	4058	99.70
0-180	4069	100

Lumen: 4069
 Input Watts: 39.5 W
 Efficacy: 103 LPW
 UGR: 28.4



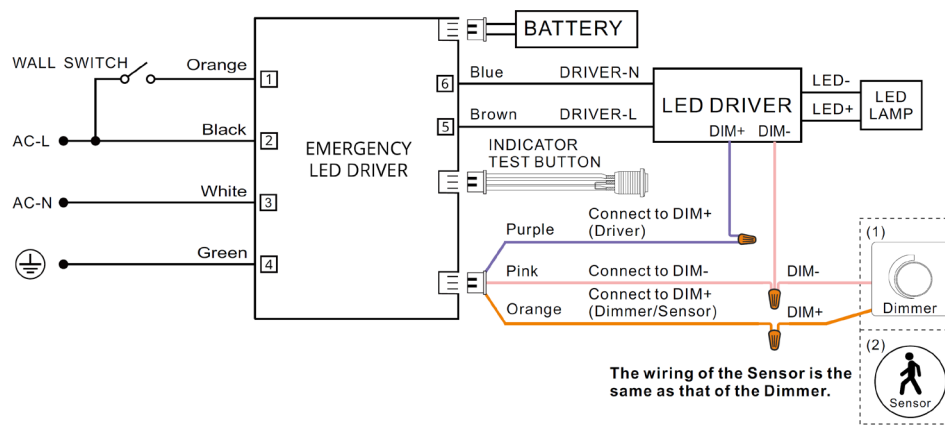
Zone	Lumen	Luminaire%
0-30	663	14.00
0-40	1086	22.90
0-60	1924	40.60
0-90	2466	52.10
0-180	4737	100

Lumen: 4737
 Input Watts: 40 W
 Efficacy: 118 LPW
 UGR: 24.1

LUX SERIES | LX2.3 SUSPENDED

EMB SPEC

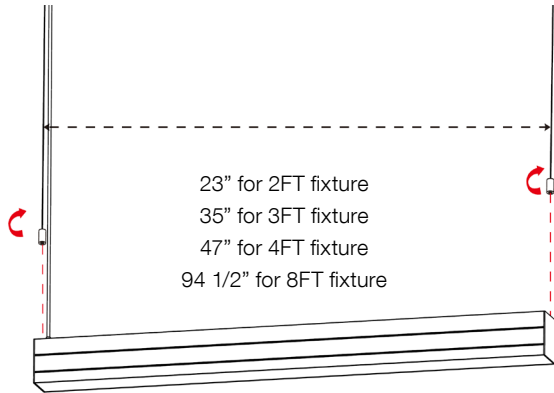
Model	Battery Capacity	Input	Output	Output Power	Operating Temp	Installation
EMB-18W-B	90mins	100-347VAC	170VDC	18W	0°C ~ 50°C 32°F ~ 122°F	Factory or Field Install



LUX SERIES | LX2.3 SUSPENDED

INSTALLATION

QUICK MOUNT
PART# QM / QM12

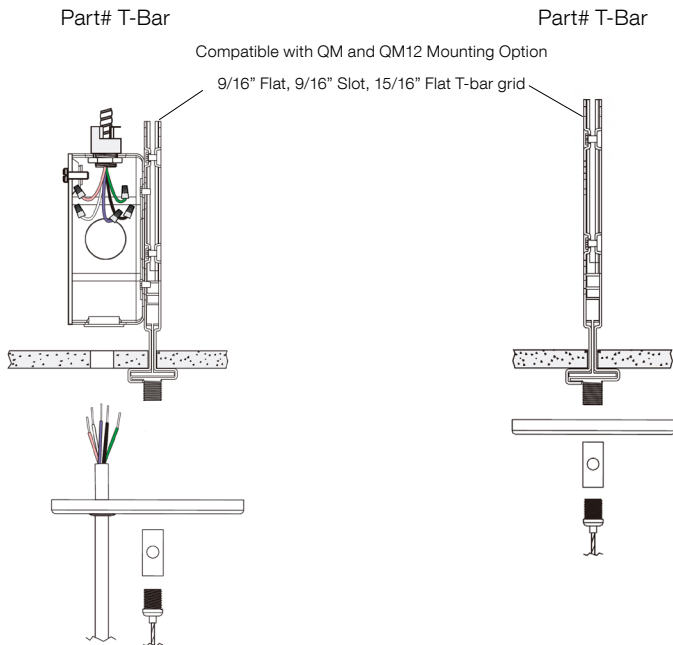


1: Install suspension by rotating adapter clockwise to the top of the fixture.



2: Use cable tie to keep the power feed wire in place next to the suspension cable.

T-GRID INSTALL
PART# QM-T-BAR / QM12-T-BAR



Adjustable T-Bar Clip with 4" Octagon Box Attachment for (1) Suspension Point

Adjustable T-Bar Clip for 1.6-inch Mounting Plate Attachment for (1) Suspension Point