



Suspended - 36" Luminaire



Surface Mount - 24" Luminaire

Product Features

Glow Slim Series - Ultra low profile round shaped architectural luminaire housing from rolled aluminum profile, laser cut and seamlessly welded; available with matte Black, White, Silver or custom RAL finish; offered with steel cable suspension system through surface canopy; or optional surface mount; power supply unit to be installed in canopy or remote; frosted PMMA lens; emit soft and even direct illumination; SAMSUNG LED with above 90CRI color rendering; available in 2700K, 3000K, 3500K, 4000K; 85% of luminous flux after 50000 hours; cETLus Damp Location listed; universal power supply with 0-10v dimming capability.

Technical Specifications

INPUT VOLTAGE	Universal Input AC120-277V
FREQUENCY	50/60hz
COLOR TEMPERATURE	2700K, 3000K, 3500K, 4000K
COLOR RENDERING INDEX	90
DISTRIBUTION	Direct
IP RATING	Damp Location
LIFE SPAN	>50,000 Hours
DIMMING	0-10v Dimming





GLOW SLIM SERIES | GL-S

SUBMITTAL WORKSHEET

Order Code Example: **GL-S** - **R2** - **35** - **CM** - **MW** - **WH** - **OPTIONS**
 A **B** **C** **D** **E** **F** **G**

A SERIES (CHOOSE ONE)

GL-S Glow Slim Series Round-Shaped Luminaire

B SIZE & OUTPUT (CHOOSE ONE)

CODE	DISTRIBUTION	POWER & LUMEN		LPW	DIMENSION	SUSPENSION	DRIVER
R1	Direct	15W	1,200lm	80	D12" x H0.9"	3	1
R1.3	Direct	20W	1,600lm	80	D16" x H0.9"	3	1
R1.5	Direct	30W	2,400lm	80	D19" x H0.9"	3	1
R2	Direct	40W	3,200lm	80	D24" x H0.9"	3	1
R3	Direct	90W	7,200lm	80	D36" x H0.9"	3	2
R4	Direct	120W	9600lm	80	D48" x H0.9"	4	3

C CCT (CHOOSE ONE)

27	2700K	35	3500K
30	3000K	40	4000K

D MOUNTING (CHOOSE ONE)

CM 5FT Steel Cable, 10-Inch Surface Mount Canopy, Integral Power
CM2 5FT Steel Cable, 11-Inch Surface Mount Canopy w/Center-Ring, Integral Driver
SM Surface Mount, Integral Power

E FINISH (CHOOSE ONE)

MB	Black	MS	Silver
MW	White	CC*	Customized Color

*see Customized Color Chart on pg 3

F POWER CORD (CHOOSE ONE)

BK 5FT Black Power Cord
WH 5FT White Power Cord

G OPTIONS

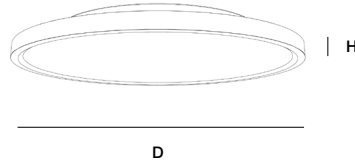
blank 120/277V 0-10V Dimming
FAD Customized Output (Consult Factory)
EMB-H08170* 90-Minute Self-Diagnostic Emergency Battery 8W 100-347VAC Input 170VDC Output (For **R1/R1.3-CM** Mount Only)

*View EMB spec on page 4.

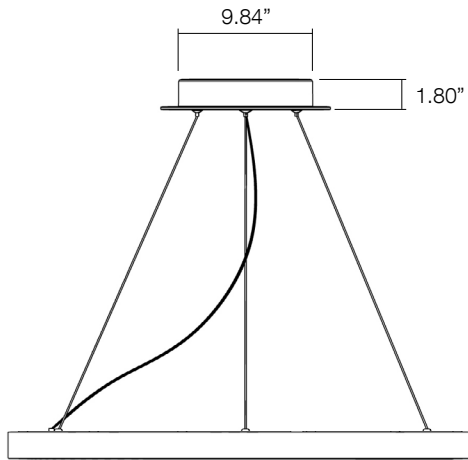
GLOW SLIM SERIES | GL-S

DIMENSIONS

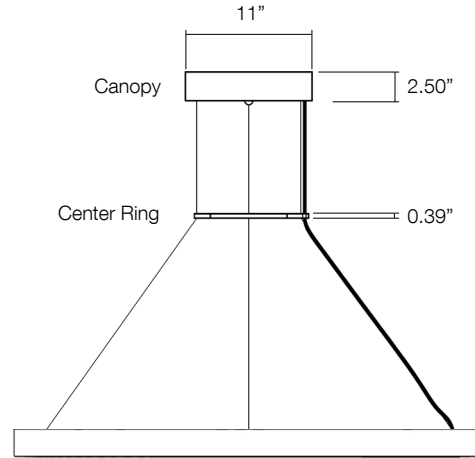
SERIES & SIZE	DIMENSION
GL-S-R1	D12" x H0.9"
GL-S-R1.3	D16" x H0.9"
GL-S-R1.5	D19" x H0.9"
GL-S-R2	D24" x H0.9"
GL-S-R3	D36" x H0.9"
GL-S-R4	D48" x H0.9"



CM - Canopy Mount



CM2 - Canopy Mount w/ Center Ring



COLOR CHART (CHOOSE ONE)

CC
RAL

Specify Color Code:

Specify RAL Color:



GR - Green



BL - Blue



PP - Purple



PK - Pink



RD - Red



OG - Orange



YW - Yellow



MB - Matte Black



GB - Gloss Black



MW - Matte White



GW - Gloss White



OB - Oil Rubbed Bronze



GZ - Gloss Bronze



MS - Matte Silver



MBS - Matte Brass



GBS - Gloss Brass



CNH285 - American Walnut



QL0928 - European Cherry



QL0503 - Light Oak



QL0411 - Maple



QL0908 - Palisander Santos

GLOW SLIM SERIES | GL-S

EMB SPEC

Model	Battery Capacity	Input	Output	Output Power	Operating Temp	Installation
EMB-H08170	90mins	100-347VAC	170VDC	8W	0°C ~ 50°C 32°F ~ 122°F	Field Install

