

LUX SERIES | LX1.8 SURFACE / SUSPENDED / WALL



Product Features

LUX Series LX1.8 architectural linear luminaire housing from 1.8" wide aluminum extruded profile, available in 2, 4, and 8-Ft length with Black, White finish; steel cable suspension system for direct ceiling mounting, with power supply unit integral inside fixture, and power feed cable through the 5-inch junction box cover plate; integral driver, frosted polycarbonate lens; emits even soft direct/indirect facing light for general illumination; >80CRI LED; field selectable CCT in 3000K / 3500K / 4000K; 85% of luminous flux after 50,000 hours; cULus damp location listed; universal input 120-277V power supply with 0-10V dimming capability down to 10%.

Technical Specifications

INPUT VOLTAGE	Universal Input AC120-277V
FREQUENCY	50/60hz
COLOR TEMPERATURE	Field Selectable 3000K / 3500K / 4000K
COLOR RENDERING INDEX	>80
DISTRIBUTION	Direct/Indirect, Field Selectable Output
IP RATING	Damp Location
LIFE SPAN	>50,000 Hours
DIMMING	0-10V Dimming

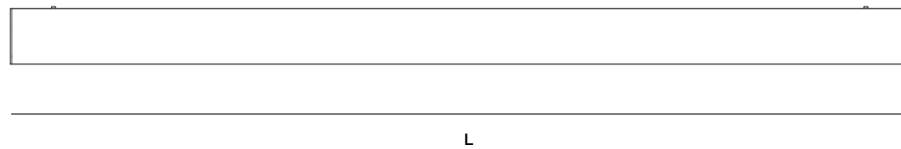
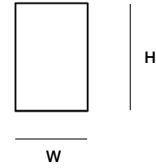


LUX SERIES | LX1.8 SURFACE / SUSPENDED / WALL

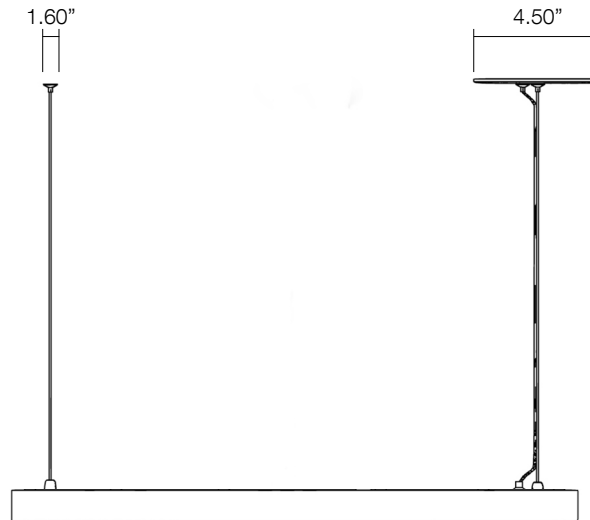
DIMENSIONS

Cross Section

SERIES & SIZE	DIMENSION	Section
LX1.8-IL2	L23.78" x W1.80" x H2.99"	1
LX1.8-IL4	L47.40" x W1.80" x H2.99"	1
LX1.8-IL8	L94.65" x W1.80" x H2.99"	1



Quick Mount

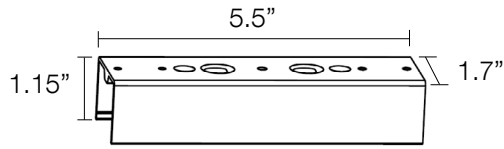


PERFORMANCE

Lens Type	Length	Power Setting (Field Selectable)			Distribution Setting (Field Selectable)					
		(W)			D-75% & I-25% (LM)			D-100% (LM)		
		Low	Mid	High	Low	Mid	High	Low	Mid	High
Frosted	2FT	10	15	20	1167	1750	2147	1068	1602	1987
	4FT	20	30	40	2313	3469	4464	2073	3110	4157
	8FT	40	60	80	4625	6938	9251	4147	6220	8293

LUX SERIES | LX1.8 SURFACE / SUSPENDED / WALL

DIMENSIONS



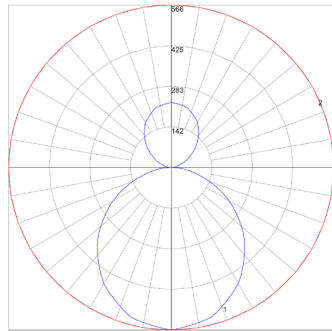
LX1.8-CON

LUX 1.8" Profile Line Joiner (metal bracket)

LUX SERIES | LX1.8 SURFACE / SUSPENDED / WALL

PHOTOMETRIC

IES: LX1.8-IL2SC D-75% / I-25%@ 3000K 20W



Zone	Lumen	Luminaire%
0-30	431	20.10
0-40	702	32.70
0-60	1223	57
0-90	1527	71.10
0-180	2147	100

Lumen: 2147
 Input Watts: 18.4 W
 Efficacy: 117 LPW
 UGR: 27.3

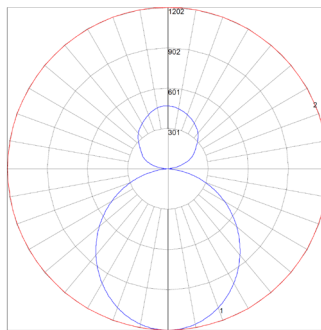
IES: LX1.8-IL2SC D-100% @ 3000K 20W



Zone	Lumen	Luminaire%
0-30	560	28.20
0-40	912	45.90
0-60	1590	80
0-90	1987	100
0-180	1987	100

Lumen: 1987
 Input Watts: 18.6 W
 Efficacy: 107 LPW
 UGR: 24.9

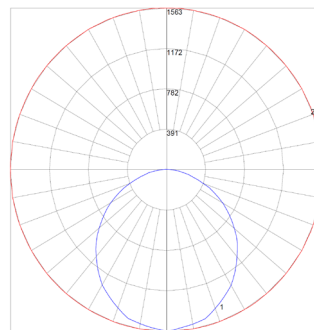
IES: LX1.8-IL4SC D-75% / I-25% @ 3000K 40W



Zone	Lumen	Luminaire%
0-30	914	20.50
0-40	1485	33.30
0-60	2564	57.40
0-90	3197	71.60
0-180	4464	100

Lumen: 4464
 Input Watts: 38.6 W
 Efficacy: 116 LPW
 UGR: 27.3

IES: LX1.8-IL4SC D-100% @ 3000K 40W



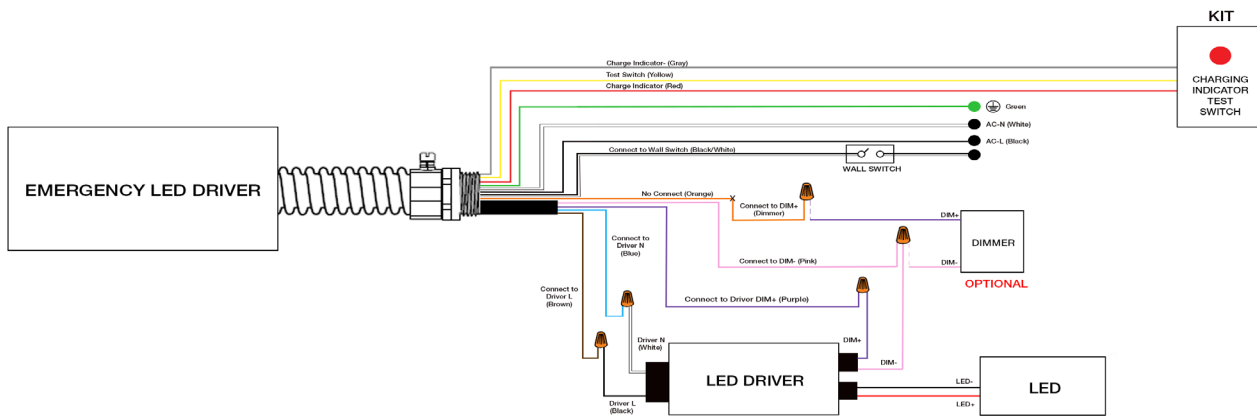
Zone	Lumen	Luminaire%
0-30	1189	28.60
0-40	1932	46.50
0-60	3337	80.30
0-90	4157	100
0-180	4157	100

Lumen: 4157
 Input Watts: 40.1 W
 Efficacy: 104 LPW
 UGR: 25.5

LUX SERIES | LX1.8 SURFACE / SUSPENDED / WALL

EMB SPEC

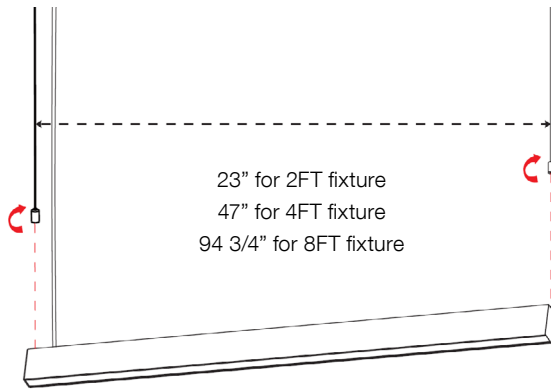
Model	Battery Capacity	Input	Output	Output Power	Operating Temp	Installation
EMB-H08170	90mins	100-347VAC	170VDC	8W	0°C ~ 50°C 32°F ~ 122°F	Field Install
EMB-H18170	90mins	100-347VAC	170VDC	18W	0°C ~ 50°C 32°F ~ 122°F	Field Install



LUX SERIES | LX1.8 SURFACE / SUSPENDED / WALL

INSTALLATION

**QUICK MOUNT
PART# QM / QM12**

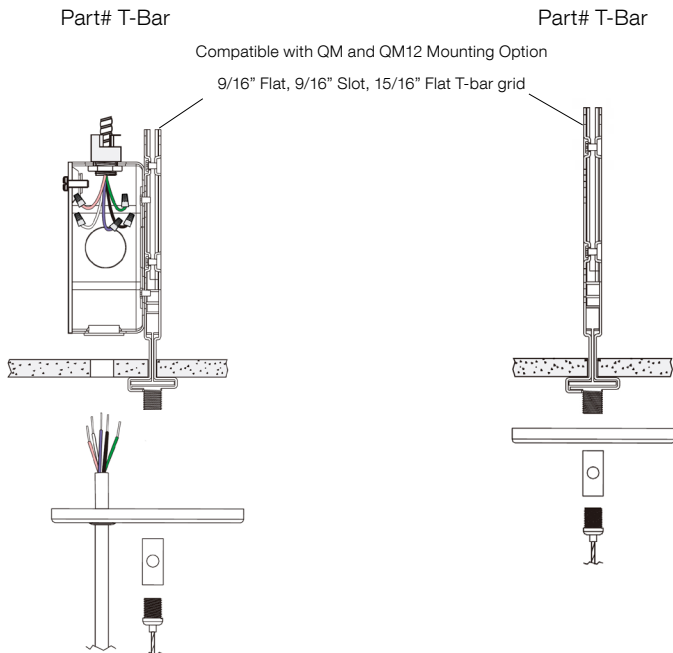


Install suspension by rotating adapter clockwise to the top of the fixture.



Use cable tie to keep the power feed wire in place next to the suspension cable.

**T-GRID INSTALL
PART# QM-T-BAR / QM12-T-BAR**



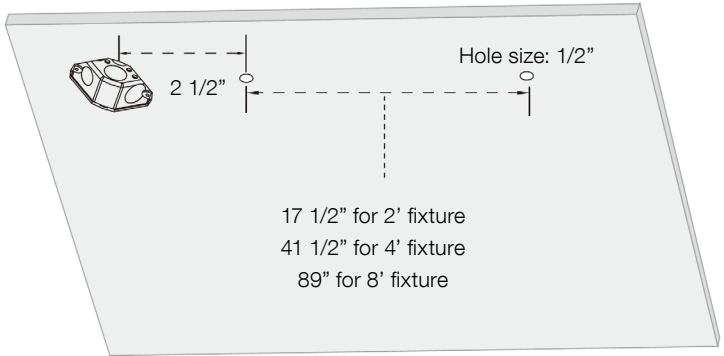
Adjustable T-Bar Clip with 4" Octagon Box Attachment for (1) Suspension Point

Adjustable T-Bar Clip for 1.6-inch Mounting Plate Attachment for (1) Suspension Point

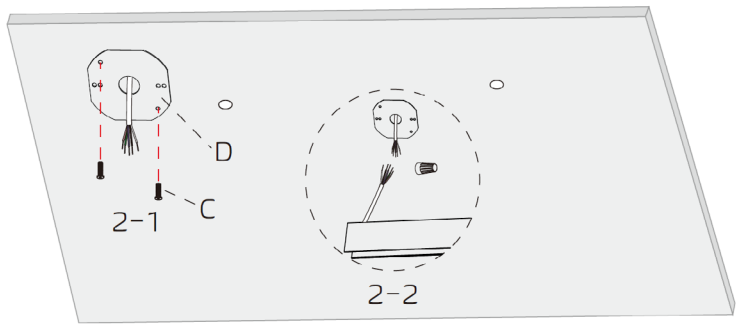
LUX SERIES | LX1.8 SURFACE / SUSPENDED / WALL

INSTALLATION

SURFACE MOUNT

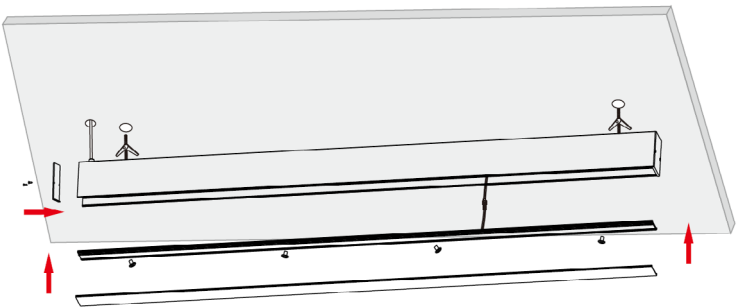


1: Identify mounting location



2-1: Use the Square Plate "D" to cover the junction box and secure with screw "C", before plastering the ceiling.

2-2: Make the wiring connection using the wire nuts provided between the luminaire and the incoming power line.



3-1: Install Butterfly Drywall Anchor "A" on housing.

3-2: Insert LED module back into housing to make wiring connection.