



Product Features

Helios Generation 2 Series Recessed Downlight represents the new generation of the ALLURE line, bringing the industry’s best performance small-aperture downlights. Trim, optics, and aiming options provide the highest quality of light possible, offering uncompromised performance, finishes, and serviceability. Base light engine offers selectable wattage (5~19W) with 90CRI maintained across 2700K~4000K. A Dim-to-Warm option is available, providing 95CRI over a 3000K~2000K range. Heatsink and trim made from aluminum extruded profile; with a round finish for downlighting or wall wash application, >90 CRI for fixed CCT, >95 CRI for Dim-to-Warm; cULus listed for damp location standard.

Technical Specifications

INPUT VOLTAGE	120-277VAC
FREQUENCY	50/60hz
LUMEN	500 ~ 1,200LM
WATTAGE	5 / 8 / 10 / 13 / 16 / 19W
LPW	67LPW Avg.
COLOR TEMPERATURE	2700K / 3000K / 3500K / 4000K / 3000K~2000K Dim-to-Warm
COLOR RENDERING INDEX	>90 (Static CCT), >95 (Dim-to-Warm)
DISTRIBUTION	30° / 50° Downlight
IP RATING	Damp Location / Wet Location with Optional Waterproof Lens
LIFE SPAN	>50,000 Hours
DIMMING	0-10v 1% Dimming and Triac Dimming (2-in-1)



HELIOS G2 SERIES | 2" RECESSED

SUBMITTAL WORKSHEET

Order Code Example: **SERIES / LIGHT ENGINE / CCT / BEAM ANGLE / LENS HOLDER**
 HL2-G2 - blank - 927 - 30 - blank

Order Code Example: **INPUT**
 blank
 F



Light Engine



Optics



30° Vertical Tilt
 360° Horizontal
 Adjustable Lens Holder

A SERIES (CHOOSE ONE)

HL2-G2 Helios Gen 2 Series 2" Recessed Downlight

B LIGHT ENGINE (CHOOSE ONE)

CODE	POWER	LPW
blank QS	Field Selectable 5W / 8W / 10W / 13W / 16W / 19W	67 Avg.

C CCT (CHOOSE ONE)

CODE	CCT
927 QS	90CRI, 2700K
930 QS	90CRI, 3000K
935 QS	90CRI, 3500K
940 QS	90CRI, 4000K
DW QS	95CRI, 3000K-2000K Dim-to-Warm (Up to 13W / 840LM)

D BEAM ANGLE (CHOOSE ONE)

CODE	BEAM ANGLE
30 QS	30°
50 QS	50°

E LENS HOLDER

blank **QS** 30° Vertical Tilt Angle and 360° Horizontal Adjustment



F INPUT

CODE	INPUT
blank	0-10V, 1% Dimming and Triac Dimming (2-in-1)

HELIOS G2 SERIES | 2" RECESSED

SUBMITTAL WORKSHEET

Order Code Example: **FLANGE FINISH / TRIM / OPTIC MEDIA**

BK - BK - GDK-WH

G H I

Order Code Example: **MOUNTING / EMB**

HL2-NCH - EMB-H08170

J K



G FLANGE FINISH (CHOOSE ONE)

BK QS Black
WH QS White

H TRIM (CHOOSE ONE)

BK QS Black
WH QS White
GD QS Gold
CH QS Chrome



I OPTIC MEDIA (CHOOSE ONE - OPTIONAL)

blank QS None
HB QS Honeycomb Louver
WR QS Wet Rated Waterproof Lens

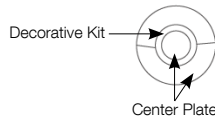
BDK__ QS Blue Decorative Kit with **BK: Black** or **WH: White** Center Plate
GDK__ QS Green Decorative Kit with **BK: Black** or **WH: White** Center Plate
RDK__ QS Red Decorative Kit with **BK: Black** or **WH: White** Center Plate
TDK__ QS Transparent Decorative Kit with **BK: Black** or **WH: White** Center Plate
YDK__ QS Yellow Decorative Kit with **BK: Black** or **WH: White** Center Plate



HB
Honeycomb



WR
Wet Rated Waterproof Lens



Decorative Kit

J MOUNTING (CHOOSE ONE)

RM* QS Retrofit/Remodel Kit
HL2-G2-NCH* QS New Construction Frame Kit (Non-IC)
HL2-G2-ICH* QS New Construction IC-Rated Frame Kit

*See page 6 for spec.

K EMERGENCY BATTERY


EMB-H08170 QS 90-Minute Self-Diagnostic Emergency Battery 8W 100-347VAC Input 170VDC Output
EMB-H18170 QS 90-Minute Self-Diagnostic Emergency Battery 18W 100-347VAC Input 170VDC Output

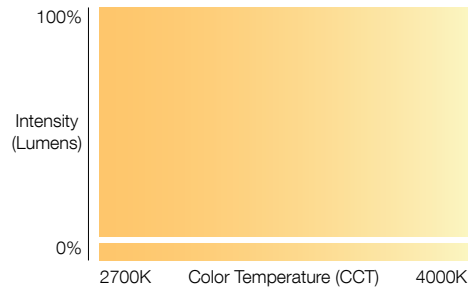
*See page 8 for spec.

HELIOS G2 SERIES | 2" RECESSED


CCT

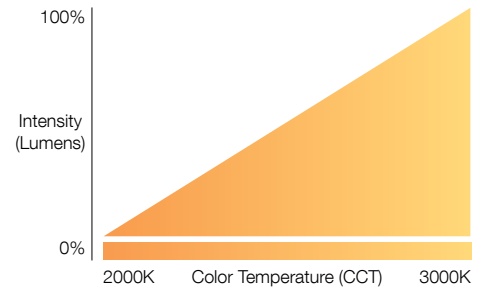
Fixed CCT

2700K, 3000K, 3500K, 4000K
90+ CRI 



Dim-to-Warm

3000K~2000K
95+ CRI 



LENS

Standard Lens

High efficiency reflector with balanced glare control and light distribution.



15° / 24° / 36° / 60°



HELIOS G2 SERIES | 2" RECESSED

DIMENSIONS



Trimmed with Flange

HL2-G2 Light Engine Summary

LED Chip: Static: CREE. Dim-to-Warm: Bridgelux.

Power: 5W / 8W / 10W / 13W / 16W / 19W

Quality: >90 CRI for fixed CCT, >95 CRI for Dim-to-Warm

CCT: Static: 2700K / 3000K / 3500K / 4000K. Dim-to-Warm: 3000K~2000K

Input: 120-277VAC

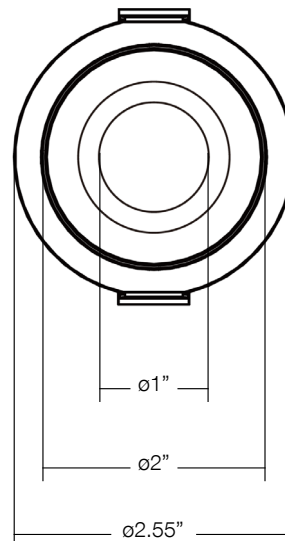
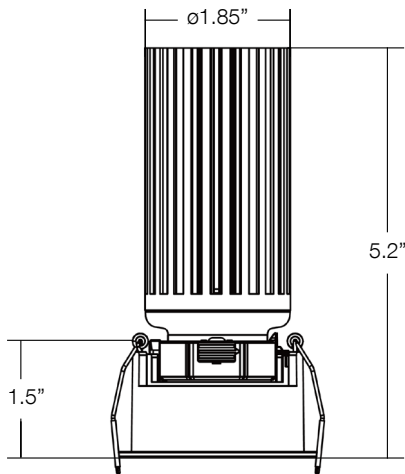
Dimming: 0-10v 1% Dimming and Triac Dimming (2-in-1)

Power Factor: Greater than 0.9

Ambient Operating Temperature: -20°C to 40°C

Lifetime: 50,000 hours at 70% lumen maintenance

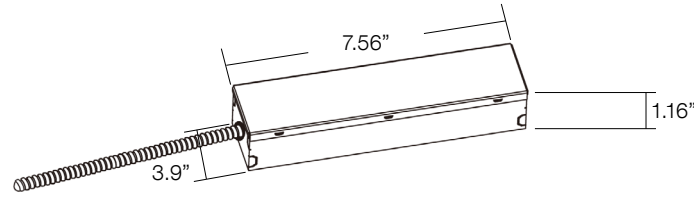
Listing: cULus Damp Location / Wet Location with Optional Waterproof Lens.



HELIOS G2 SERIES | 2" RECESSED

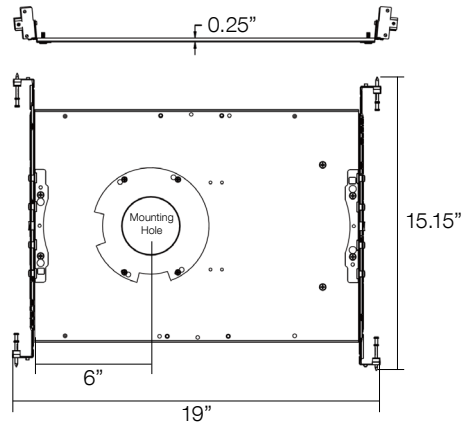
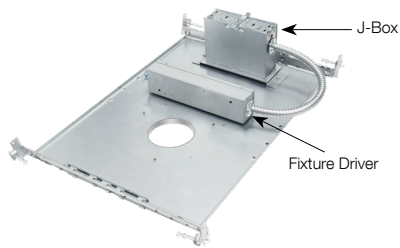
DIMENSIONS - HOUSING

RM - No Housing, Remote Mount Driver with Enclosure

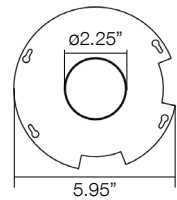


HL2-NCH - New Construction Frame Kit (Non-IC)

Standard Non-IC mounting frame.
Wiring junction box, fixture driver box rest on the frame kit by magnet when installed as shown below.

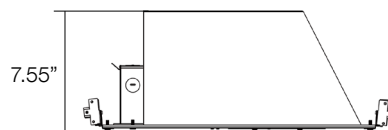
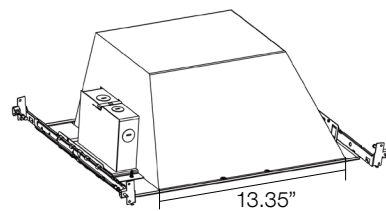
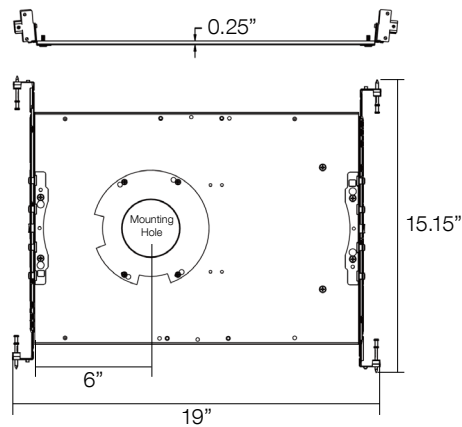
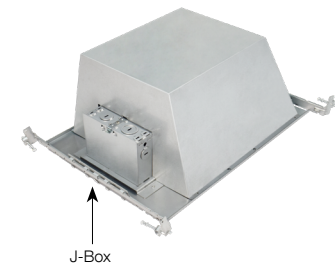


Mounting Hole



HL2-ICH - New Construction IC-Rated Frame Kit

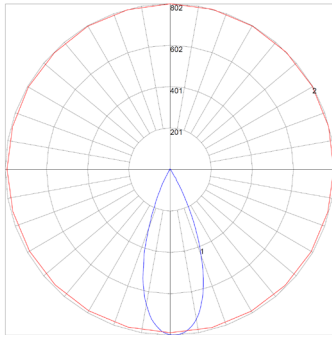
IC-Rated housing frame kit allows direct contact with insulation.



HELIOS G2 SERIES | 2" RECESSED

PERFORMANCE

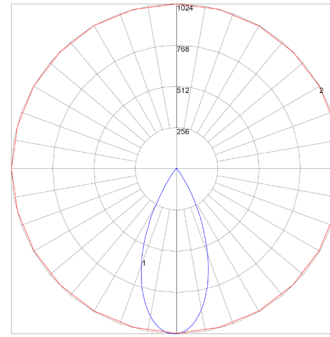
IES: HL2-G2 @ 5W 90CRI 3000K 30°



Zone	Lumen	Luminaire%
0-30	310	93.00
0-40	325	97.50
0-60	328	98.50
0-90	328	98.80
0-180	332	100

Lumen: 333
 Input Watts: 5 W
 Efficacy: 66 LPW

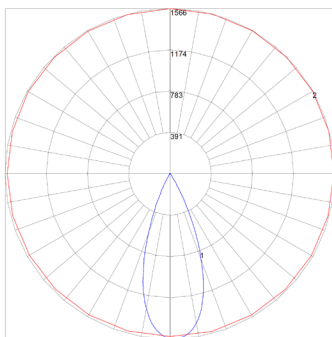
IES: HL2-G2 @ 8W 90CRI 3000K 50°



Zone	Lumen	Luminaire%
0-30	490	85.10
0-40	553	96.10
0-60	566	98.30
0-90	568	98.80
0-180	5763	100

Lumen: 576
 Input Watts: 8 W
 Efficacy: 72 LPW

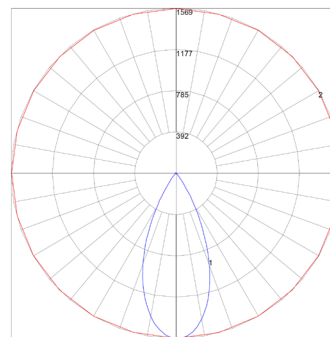
IES: HL2-G2 @ 10W 90CRI 3000K 30°



Zone	Lumen	Luminaire%
0-30	605	92.90
0-40	634	97.40
0-60	641	98.50
0-90	643	98.70
0-180	651	100

Lumen: 651
 Input Watts: 10 W
 Efficacy: 65 LPW

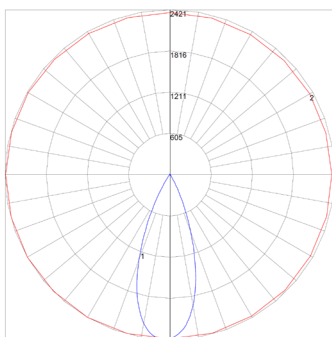
IES: HL2-G2 @ 13W 90CRI 3000K 50°



Zone	Lumen	Luminaire%
0-30	748	85.10
0-40	844	96.00
0-60	864	98.30
0-90	868	98.70
0-180	879	100

Lumen: 879
 Input Watts: 13 W
 Efficacy: 67 LPW

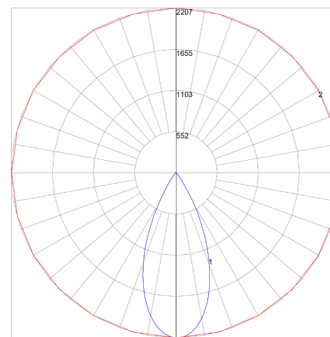
IES: HL2-G2 @ 16W 90CRI 3000K 30°



Zone	Lumen	Luminaire%
0-30	945	92.40
0-40	995	97.30
0-60	1006	98.40
0-90	1009	98.70
0-180	1023	100

Lumen: 1023
 Input Watts: 16 W
 Efficacy: 64 LPW

IES: HL2-G2 @ 19W 90CRI 3000K 50°



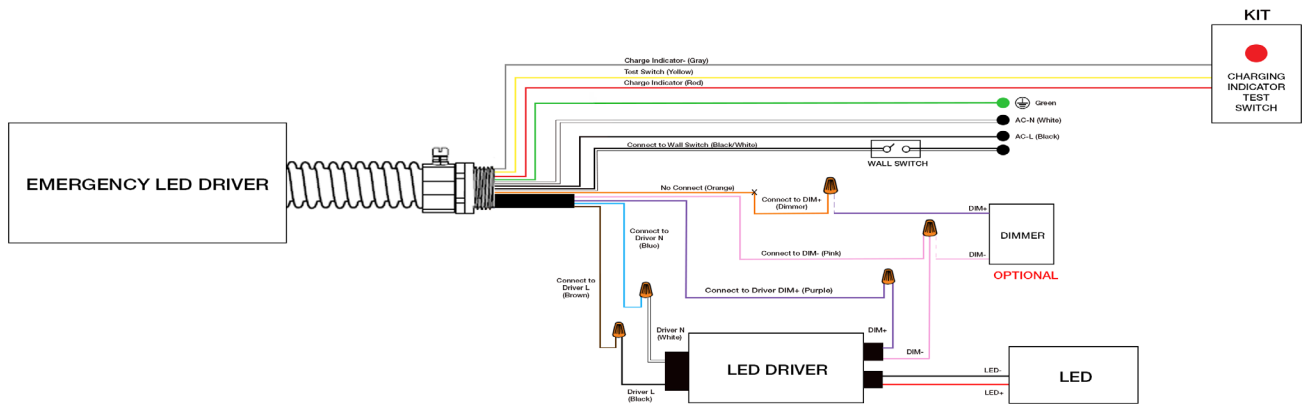
Zone	Lumen	Luminaire%
0-30	1051	85.00
0-40	1188	96.00
0-60	1215	98.30
0-90	1221	98.70
0-180	1237	100

Lumen: 1237
 Input Watts: 19 W
 Efficacy: 65 LPW

HELIOS G2 SERIES | 2" RECESSED

EMB SPEC

Model	Battery Capacity	Input	Output	Output Power	Operating Temp	Installation
EMB-H08170	90mins	100-347VAC	170VDC	8W	0°C ~ 50°C 32°F ~ 122°C	Field Install
EMB-H18170	90mins	100-347VAC	170VDC	18W	0°C ~ 50°C 32°F ~ 122°C	Field Install



HELIOS G2 SERIES | 2" RECESSED

INSTALLATION

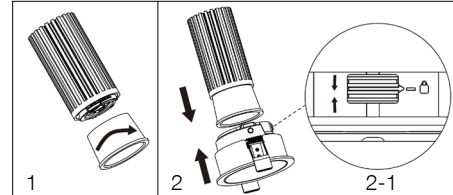
Assemble Trim, Lens, and LED Engine

1. Assemble Lens and LED Engine:

Attached together, and secure them tight with clockwise direction.

2. Assemble Lens and Trim:

Slide the button downward in the trim direction to combine the lens and trim. Once aligned, slide it upward to lock into place (See 2-1).



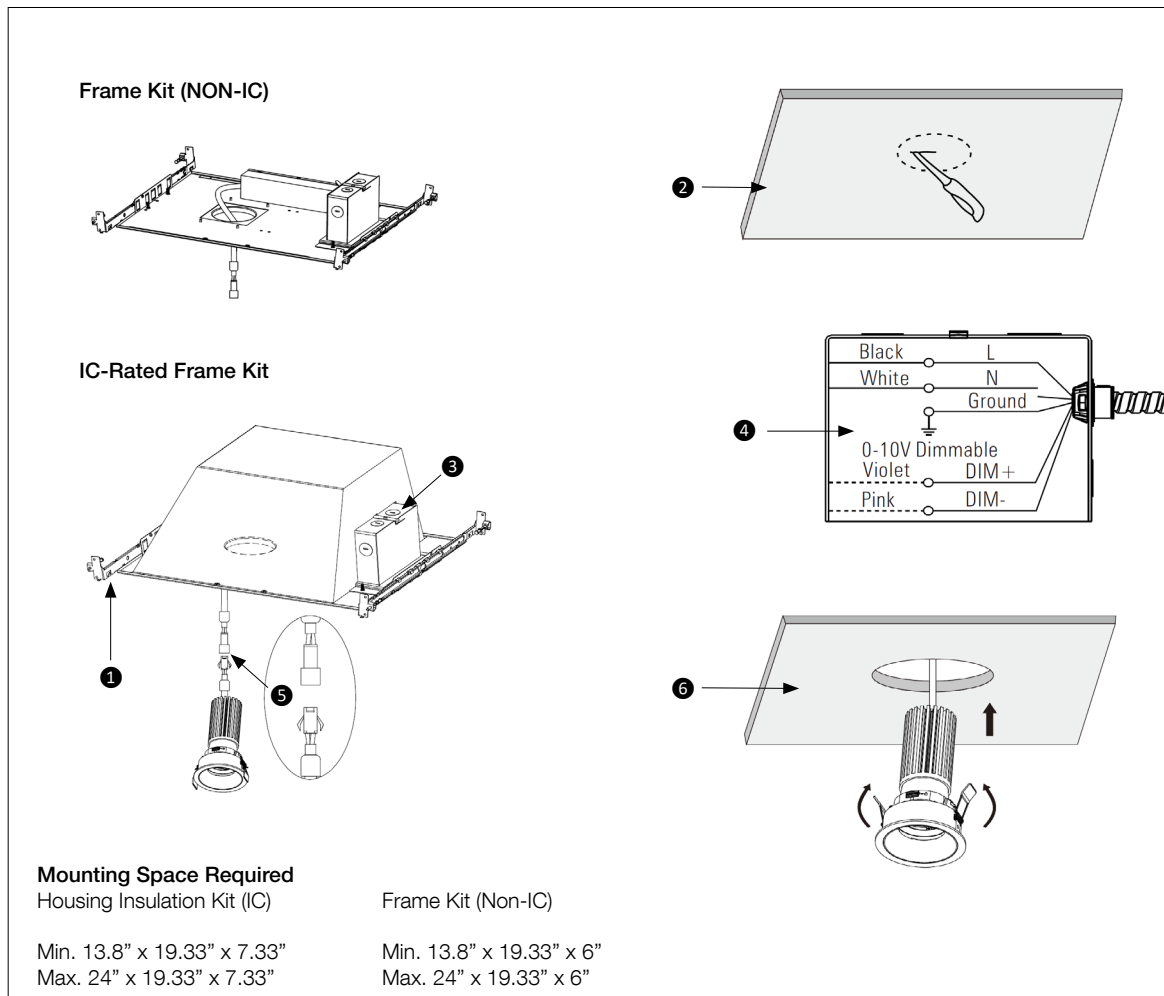
New Construction Applications

Step 1: Install the fixture in the ceiling using the two hanger bars **1** (Supplied) . Mount the fixture in the ceiling so that the weight of the fixture is supported by the hanger bars, mounting channel, bar, and/or hanger wires secured to the building structure. Drill a $\varnothing 2.30"$ hole in drywall **2**.

Step 2: Open the J-box **3** **4**, connect the power supply and ground wire according to the wiring diagram. (Only if the driver has 0-10V dimming, the dimming wire needs to be connected).

Step 3: Connect LED downlight with housing using provided quick-connectors **5**.

Step 4: Complete installation by carefully tighten the spring clips through the ceiling opening **6**.



HELIOS G2 SERIES | 2" RECESSED

INSTALLATION

Remodel Applications

Step 1: Drill a $\varnothing 2.30"$ hole in the ceiling.

Step 2: Plug AC power cord into the quick connector A. (Only if the driver has 0-10V dimming, the quick connector B needs to be connected.) Plug the male connector with the female connector. Connect the ground wire **2**.

Step 3: Connect LED downlight with housing using provided quick-connectors **3**.

Step 4: The driver box is fixed to the ceiling by magnetic force of a magnet **4**.

Step 5: Complete installation by carefully tighten the spring clips through the ceiling opening **5**.

