



Product Features

LUMI Series - WING - surface mount architectural luminaire, semi-transparent optics panel, enveloped in ultra thin 0.5" aluminum frame. Edgelit illumination creates the "floating" effect, and offers soft direct-indirect illumination. Housing from aluminum material; available with standard White; surface mount; 90CRI color rendering; field selectable CCT 3000K ~ 4000K; 88% of luminous flux after 50,000 hours; cULus damp location listed; universal power supply with 0-10V dimmable. ADA Compliant.

Technical Specifications

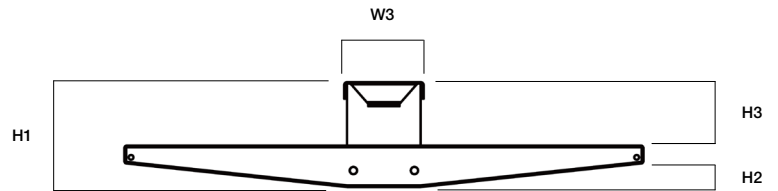
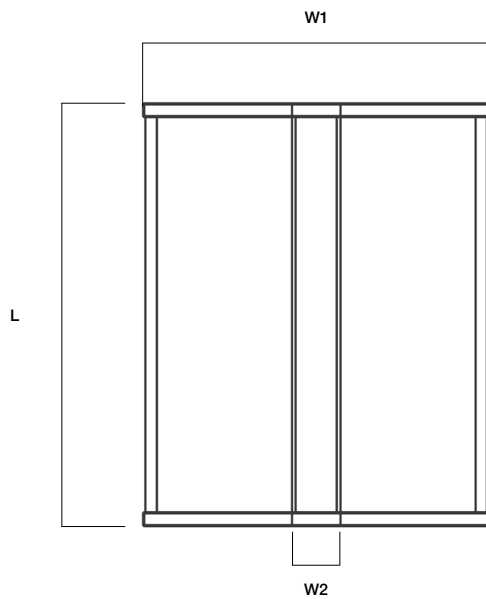
INPUT VOLTAGE	Universal Input AC120-277V
FREQUENCY	50/60hz
COLOR TEMPERATURE	Field Selectable CCT 3000K, 3500K, 4000K
COLOR RENDERING INDEX	90+
DISTRIBUTION	Edgelit, 60% Direct - 40% Indirect
IP RATING	Damp Location
LIFE SPAN	>50,000 Hours
DIMMING	0-10v Dimming



LUMI SERIES | WING

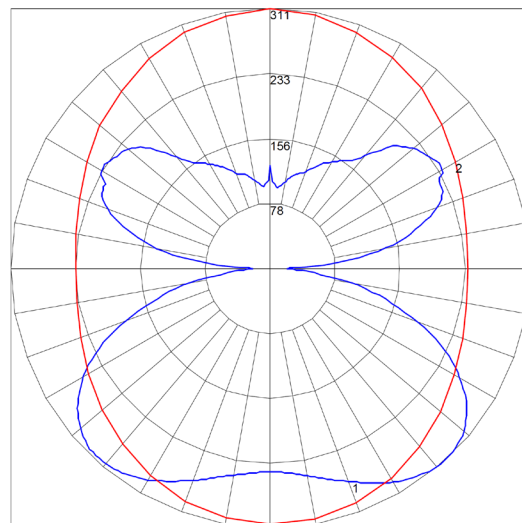
DIMENSIONS

SIZE	DIMENSION						
	L	W1	W2	W3	H1	H2	H3
L12	12.00"	9.85"	1.37"	1.51"	2.00"	0.45"	1.21"
L18	18.00"	9.85"	1.37"	1.51"	2.00"	0.45"	1.21"
L24	24.00"	9.85"	1.37"	1.51"	2.00"	0.45"	1.21"



PERFORMANCE

Maximum Candela = 311.28
 Located At Horizontal Angle = 90, Vertical Angle = 42
 # 1 - Vertical Plane Through Horizontal Angles (90 - 270) (Through Max. Cd.)
 # 2 - Horizontal Cone Through Vertical Angle (42) (Through Max. Cd.)



LUMI SERIES | WING

COLOR CHART (CHOOSE ONE)

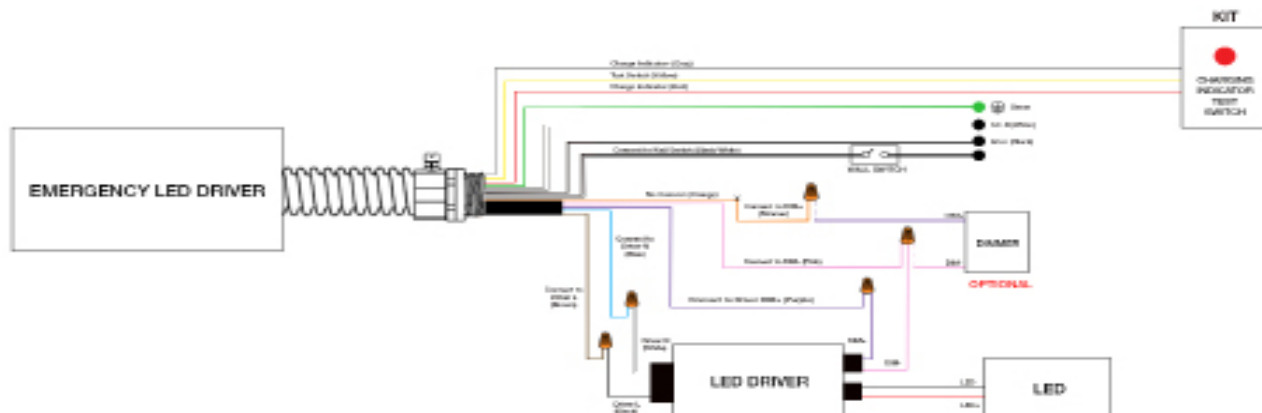
CC
RAL

Specify Color Code:
Specify RAL Color:



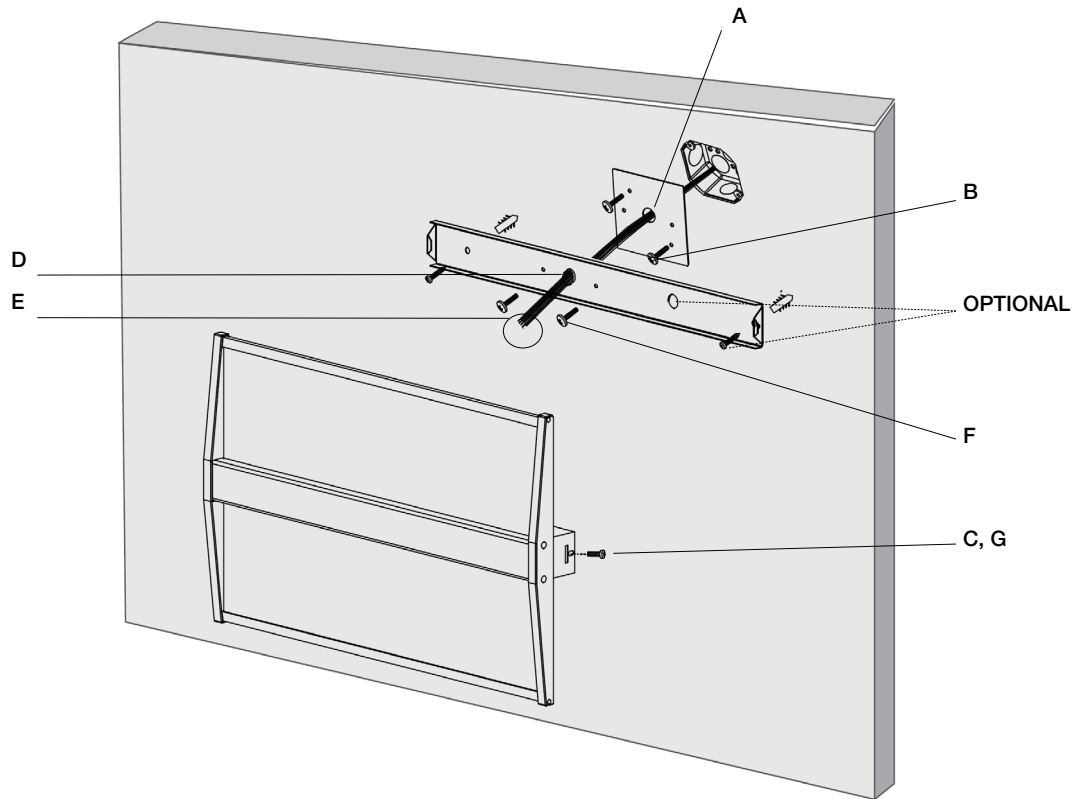
EMB SPEC

Model	Battery Capacity	Input	Output	Output Power	Operating Temp	Installation
EMB-H08170	90mins	100-347VAC	170VDC	8W	0°C ~ 50°C 32°F ~ 122°F	Field Install
EMB-H18170	90mins	100-347VAC	170VDC	18W	0°C ~ 50°C 32°F ~ 122°F	Field Install



INSTALLATION

Surface Mount



- A - Pull input lead wire through square cover plate
- B - Secure square cover plate onto ceiling/wall electrical box
- C - Remove set screw on both ends of the fixture to separate driver enclosure cover
- D - Feed lead wire through center wire entry on the driver enclosure cover
- E - Connect lead wire with fixture driver wires (wiring diagram below)
- F - Secure driver enclosure cover onto square cover plate
- G - Fasten set screw on both ends of the fixture to secure driver enclosure cover onto fixture housing

OPTIONAL: In the event where the fixture cannot be centered on the electrical box, off center wire entry should be used or installer may drill through the driver enclosure to create wire entry as needed. Fixture must be secure to ceiling/wall via additional screws as shown.

WIRING

