



4" Downlight Assembly with Housing

**Product Features**

Helios Series Performance Downlight represents the new generation of the ALLURE line, featuring field-selectable CCT and lumen package functions. Elevate your space with customizable brilliance, combining energy efficiency, flicker-free illumination, and the flexibility to tailor the lighting to your specific needs. >80CRI; 88% of luminous flux after 50000 hours; cULus listed for damp location, universal power supply 0-10v dimming capability.

**Technical Specifications**

INPUT VOLTAGE	AC120-277V
FREQUENCY	50/60hz
LUMEN	1730 ~ 3444LM
WATTAGE	18 / 27 / 40W
LPW	90
COLOR TEMPERATURE	3000K / 3500K / 4000K
COLOR RENDERING INDEX	>90
DISTRIBUTION	40° Downlight
IP RATING	Damp Location
LIFE SPAN	>50,000 Hours
DIMMING	0-10v Dimming



## HELIOS SERIES | 4" Performance Downlight

### SUBMITTAL WORKSHEET

Order Code Example: LIGHT ENGINE

HL - 40SC

A B

Order Code Example: TRIM

HL-4DR-WH

C

Order Code Example: MOUNTING / EMB

HL4-NCR

EMB-H08170

D

E

#### A SERIES (CHOOSE ONE)

HL Helios Series Performance Downlight

#### B LIGHT ENGINE (CHOOSE ONE)

CODE	POWER	CCT	LPW
40SC QS	Field Selectable 18 / 27 / 40W	Field Selectable 3000K / 3500K / 4000K	90 Avg.

#### C TRIM (CHOOSE ONE)

HL4-DR-WH QS 4" Round Cone, Deep Regressed Trim, Smooth White

#### D HOUSING (CHOOSE ONE)

blank QS No Housing, Retrofit Application, 120-277V Input, 0-10V Dimming  
 HL4-NCR QS 4" New Construction Housing, Integral Driver 120-277V Input, 0-10V Dimming

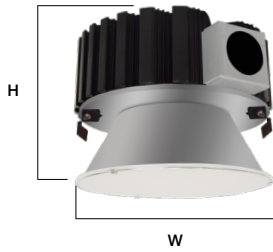
#### E EMERGENCY BATTERY (CHOOSE ONE)

EMB-H08170 QS 8W External EMB      EMB-H18170 QS 18W External EMB

## HELIOS SERIES | 4" Performance Downlight

### DIMENSIONS

CODE	DIMENSION	
	H	W
HL-40SC	1.57"	ø 3.29"



#### HL-40SC Light Engine

**LED Chip:** Samsung

**Power:** Field Selectable 18W / 27W / 40W

**Quality:** >80 CRI, 3-step SDCM

**CCT:** Field Selectable 3000K / 3500K / 4000K

**Distribution:** 40°

**Input:** 120~277V, 50/60Hz

**Dimming:** 0-10V Dimming, continuous dimming to 10%

**Dimmer:** Tested with Lutron Diva-DVTV, Leviton IP-710-DL

**Power Factor:** Greater than 0.9

**Ambient Operating Temperature:** -20C° to 40°C

**Lifetime:** 50,000 hours at 70% lumen maintenance

**Listing:** cULus Damp Location

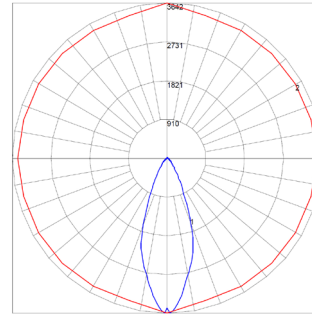
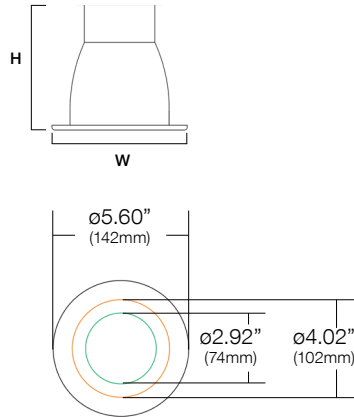
**IC Rating:** IC Rated

## HELIOS SERIES | 4" Performance Downlight

### DIMENSIONS - TRIM

HL4-DR-WH - 4" Round Deep Regressed Trim, Smooth White

IES: HL-40SC - HL4-DR-WH @ 27W 3000K



Zone	Lumen	Luminaire%
0-30	1475	61.50
0-40	2083	86.80
0-60	2378	99.10
0-90	2392	99.70
0-180	2399	100

Lumen: 2398  
 Input Watts: 25.9 W  
 Efficacy: 93 LPW  
 UGR: 7.5

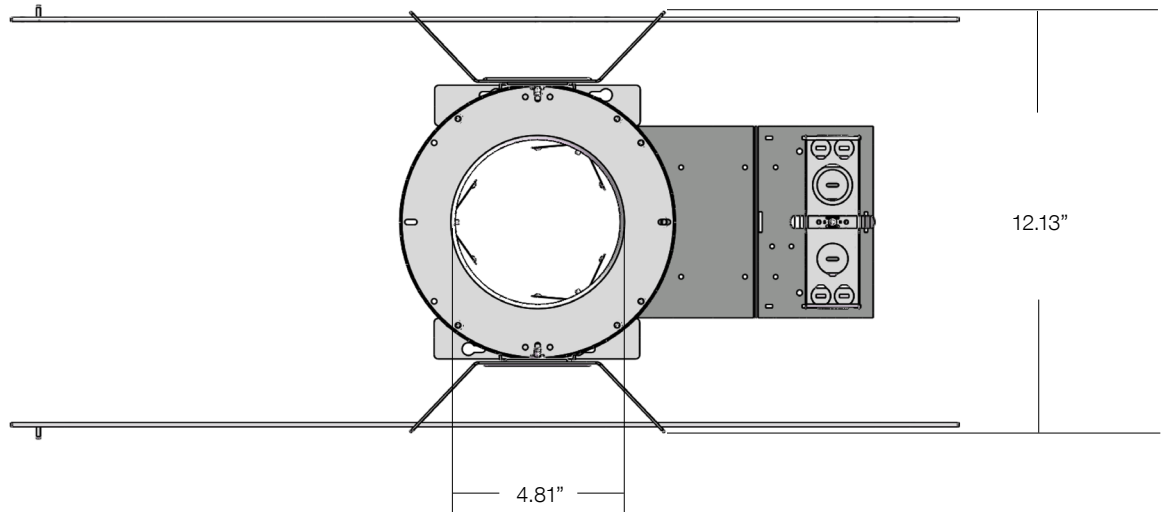
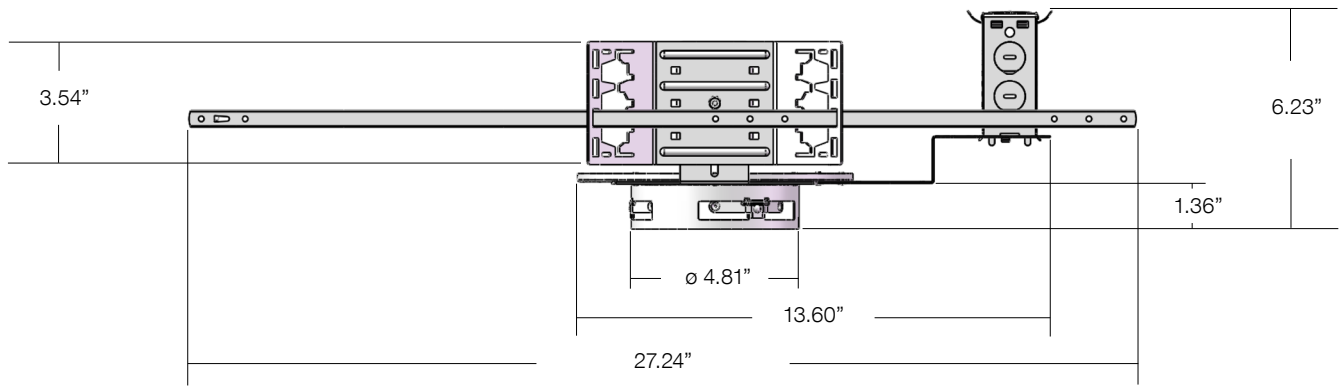
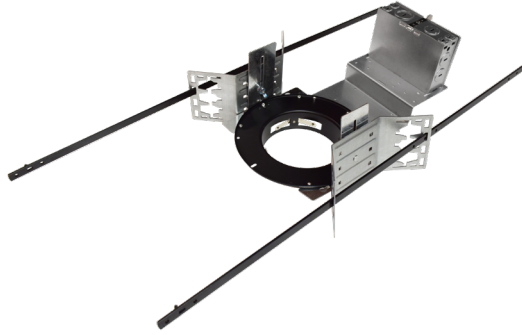
## HELIOS SERIES | 4" Performance Downlight

### DIMENSIONS - HOUSING

HL4-NCR - New Construction Housing

### HOUSING CUTOUT DIMENSION

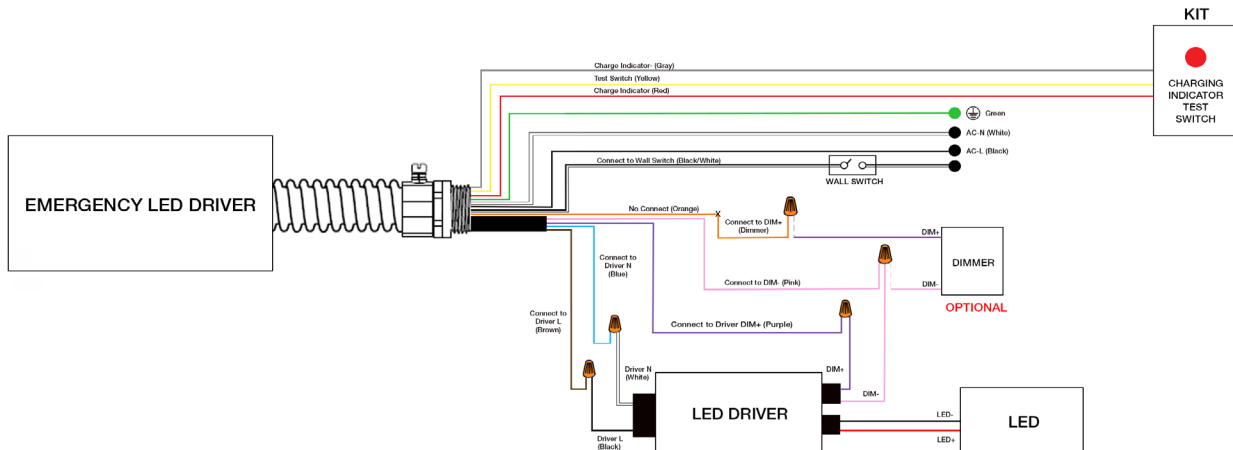
Housing	Cutout Size
4" - HL4-NCR	Round 4" min. to 4.7" max.



## HELIOS SERIES | 4" Performance Downlight

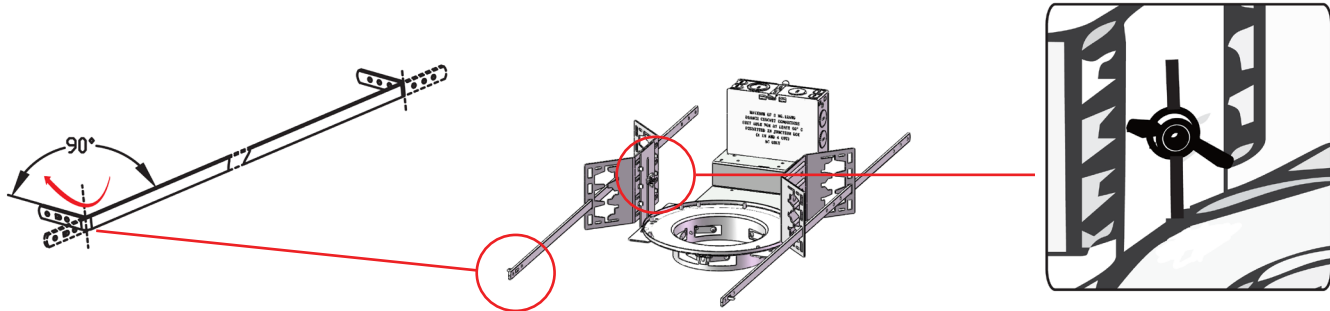
### EMB SPEC

Model	Battery Capacity	Input	Output	Output Power	Operating Temp	Installation
EMB-H08170	90mins	100-347VAC	170VDC	8W	0°C ~ 50°C 32°F ~ 122°F	Field Install
EMB-H18170	90mins	100-347VAC	170VDC	18W	0°C ~ 50°C 32°F ~ 122°F	Field Install



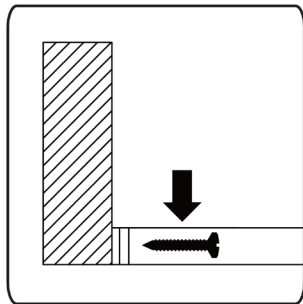
## HELIOS SERIES | 4" Performance Downlight

### INSTALLATION

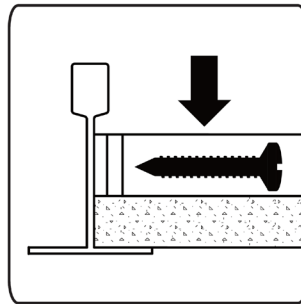


Bend the support brackets (length determined by installer) Secure with Screw (Fig 4 & 5)

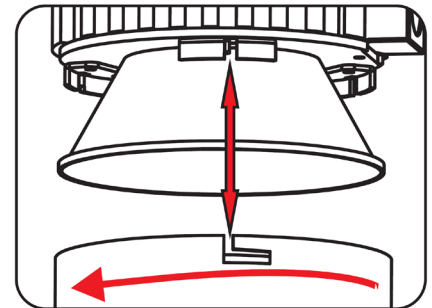
Use wing nut to adjust height of housing frame



Wood



T-Bar



Line up trim and engine, turn clockwise to lock

### HOUSING CUTOUT DIMENSION

Housing	Cutout Size
4" - HL4-NCR	Round 4" min. to 4.7" max.